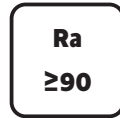
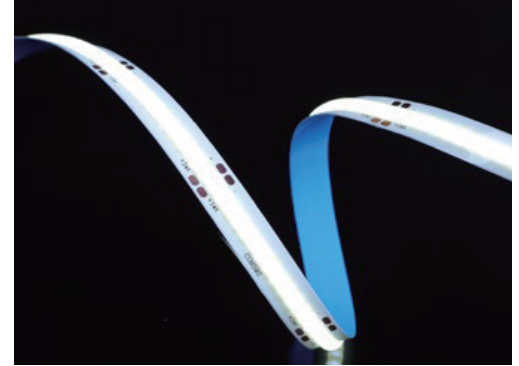


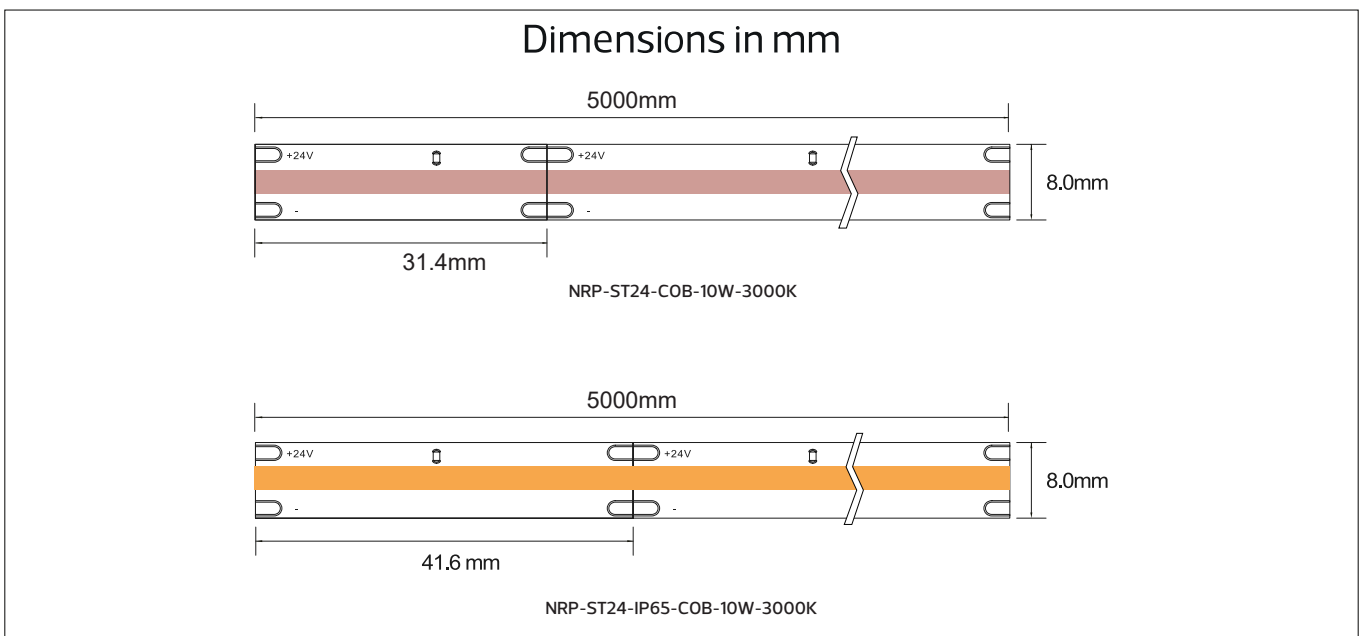
LED Strip Light

NRP-ST24 COB Series



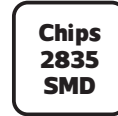
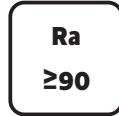
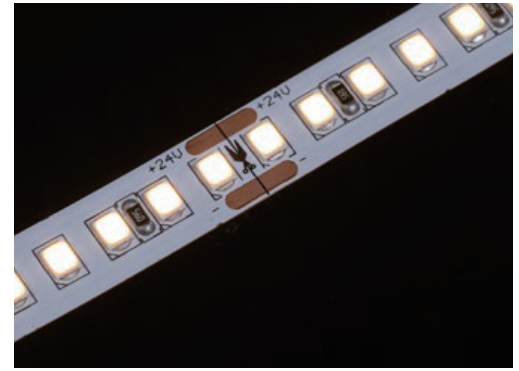
Item Code	Input Voltage	Watt	Ra	Lm/M	Cutting	LED QTY	LED Type	Beam Angle	IP	CCT
NRP-ST24-COB-10W-3000K	DC24V	10W/M	>90	1050lm/m	31.4mm	256Pcs	COB	120°	IP20	3000K
NRP-ST24-COB-10W-4000K	DC24V	10W/M	>90	1050lm/m	31.4mm	256Pcs	COB	120°	IP20	4000K
NRP-ST24-IP65-COB-10W-3000K	DC24V	10W/M	>90	950lm/m	41.6mm	384Pcs	COB	120°	IP65	3000K
NRP-ST24-IP65-COB-10W-4000K	DC24V	10W/M	>90	1050lm/m	41.6mm	384Pcs	COB	120°	IP65	4000K

Note: IP20 can only be used indoors, IP65 can be used outdoors



LED Strip Light

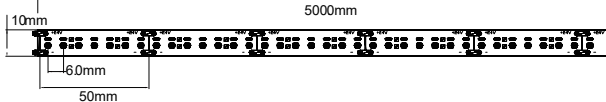
NRP-ST24 2835 Series



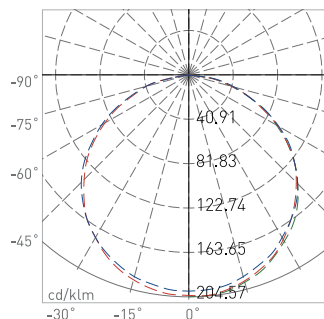
Item Code	Input Voltage	Watt	Ra	Lm/M	Cutting	LED QTY	LED Distance	Beam Angle	IP	CCT
NR-ST24-60-5W-3000K	DC24V	5W/M	>90	438lm/m	100mm	6Pcs	8mm	120°	IP20	3000K
NR-ST24-60-5W-4000K	DC24V	5W/M	>90	465lm/m	100mm	6Pcs	8mm	120°	IP20	4000K
NR-ST24-120-9W-3000K	DC24V	9W/M	>90	805lm/m	50mm	12Pcs	10mm	120°	IP20	3000K
NR-ST24-120-9W-4000K	DC24V	9W/M	>90	825lm/m	50mm	12Pcs	10mm	120°	IP20	4000K
NRP-ST24-128-23W-3000K	DC24V	23W/M	>90	2693lm/m	63mm	8Pcs	12mm	120°	IP20	3000K
NRP-ST24-128-23W-4000K	DC24V	23W/M	>90	2775lm/m	63mm	8Pcs	12mm	120°	IP20	4000K
NRP-ST24-168-14W-3000K	DC24V	14W/M	>95	1565lm/m	42mm	7Pcs	10mm	120°	IP20	3000K
NRP-ST24-168-14W-4000K	DC24V	14W/M	>95	1971lm/m	42mm	7Pcs	10mm	120°	IP20	4000K
NR-ST24-IP65-60-5W-3000K	DC24V	5W/M	>90	410lm/m	100mm	6Pcs	10mm	120°	IP65	3000K
NR-ST24-IP65-60-5W-4000K	DC24V	5W/M	>90	415lm/m	100mm	6Pcs	10mm	120°	IP65	4000K
NRP-ST24-IP65-168-14W-3000K	DC24V	14W/M	>95	1430lm/m	42mm	7Pcs	12mm	120°	IP65	3000K
NRP-ST24-IP65-168-14W-4000K	DC24V	14W/M	>95	1660lm/m	42mm	7Pcs	12mm	120°	IP65	4000K

Note: IP20 can only be used indoors, ip65 can be used outdoors

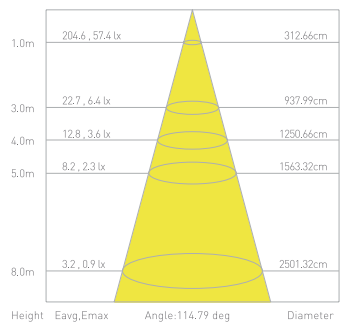
Dimensions in mm



POLAR AND CONE DIAGRAM



PHOTOMETRIC OF 1M STRIP



LED Strip Solution

Ra/CRI > 80/90



ONE BIN
SDCM<5

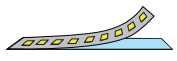


IP process

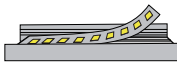
Installation



Stick-on



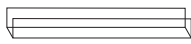
Heat Sink



Profile

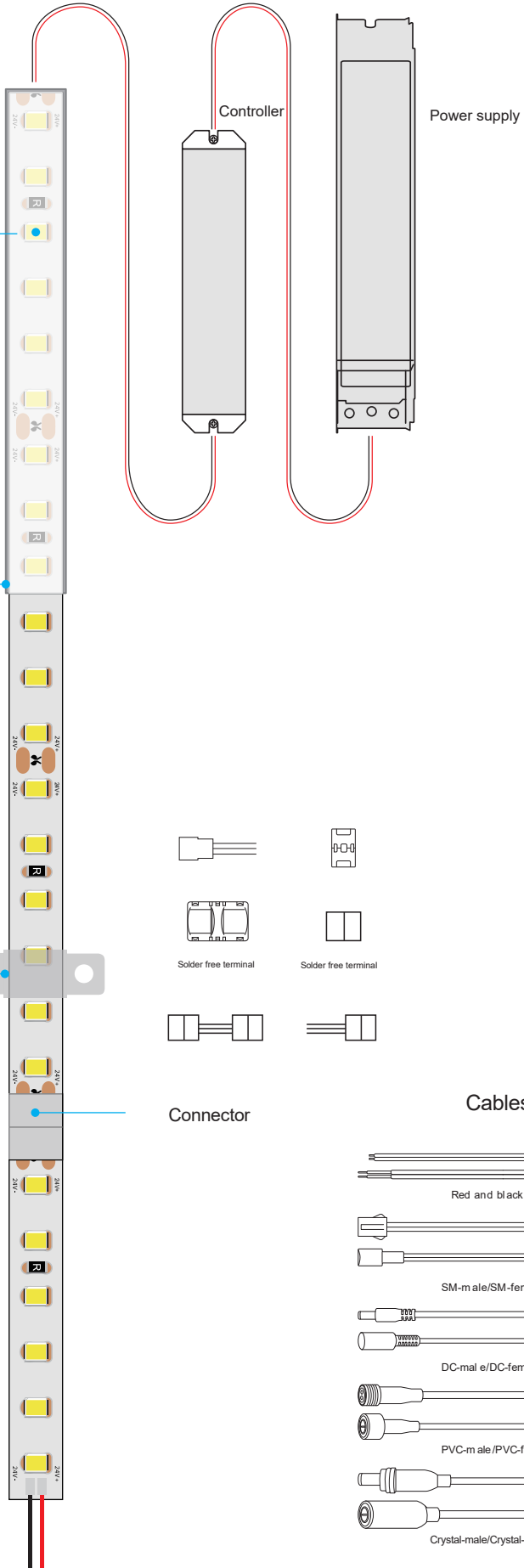
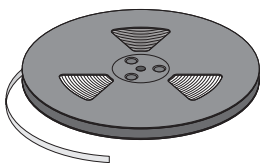


Clip



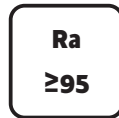
PC carrier

Package



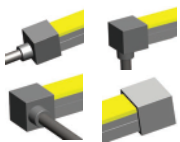
LED Strip Light

Silicon Neon Series

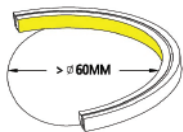


Item Code	Input Voltage	Watt	Ra	Lm/M	Cutting	LED QTY	Body Size	Beam Angle	IP	CCT
NRP-NE24-IP67-9W-3000K	DC24V	9W/M	>95	766lm/m	50mm	120Pcs	W10*H10mm	75°	IP67	3000K
NRP-NE24-IP67-9W-4000K	DC24V	9W/M	>95	856lm/m	50mm	120Pcs	W10*H10mm	75°	IP67	4000K

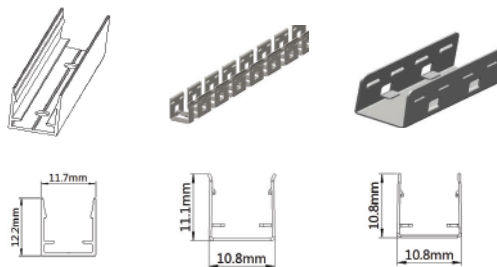
WIRING METHOD



BENDING DIAMETER



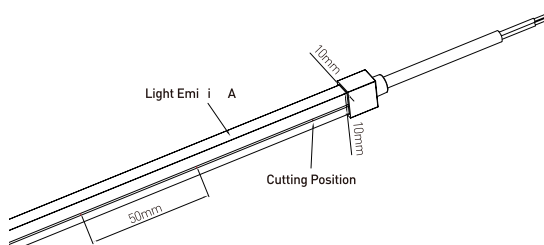
ACCESSORY OPTION



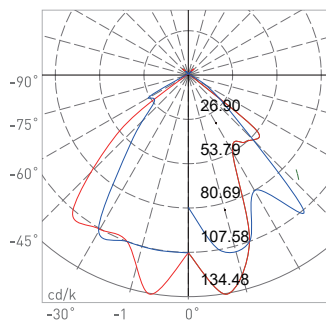
PRODUCT FEATURES

- Micro cutting, flexible space installation
- Excellent flexibility for proper bending and easy modeling
- Uniform lighting
- Silicone material, Excellent weather, corrosion and UV resistance, environmental protection
- High quality circuit for stable and reliable perform
- Working temperature:-30~50 C

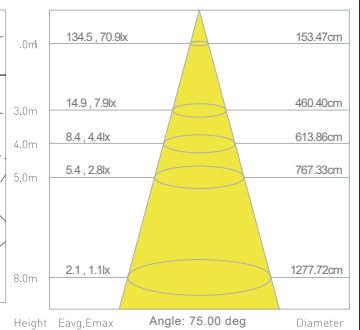
Dimensions in mm



POLAR AND CONE DIAGRAM



PHOTOMETRIC OF 1M STRIP



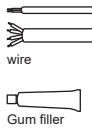
Silicone Neon Strip Solution

Ra/CRI > 80/90

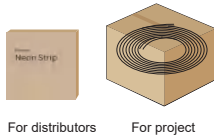
2500K 2700K 3000K 4000K RGB CCT

ONE BIN SDCM<5

Wire & Gum filler



Package



LED

End cap

End cap set

Plug

End cap (top wire outlet)

End cap (bottom wire outlet)

End cap (left wire outlet)

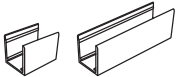
End cap (right wire outlet)

End cap (ENP)

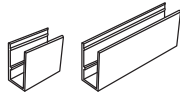
Plug (ENP)

End cap (EP)

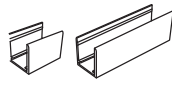
Plug (EP)



Flat mounting clip aluminum groove



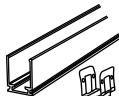
Aluminum groove with reserved wire outlet



PC clip / PC groove



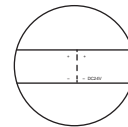
Moldable groove



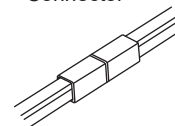
Aluminum groove with reserved wire outlet

Installation Accessories

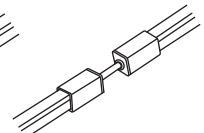
Cutting line



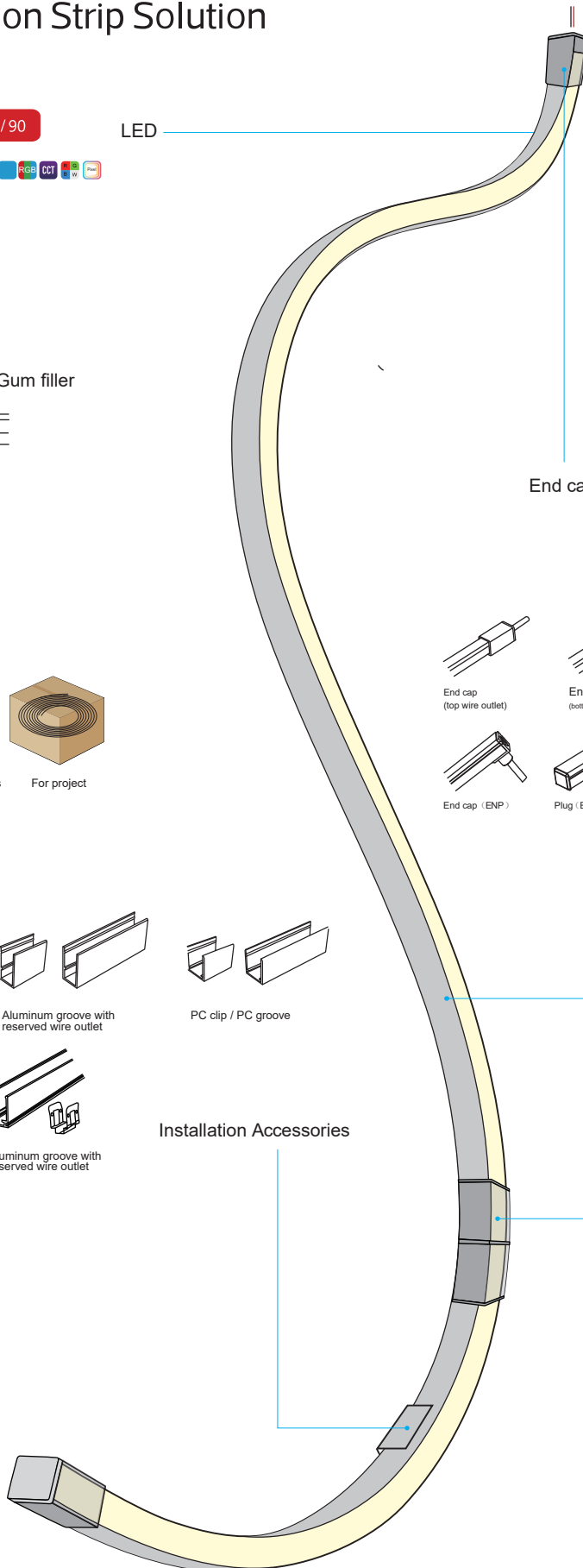
Connector



Quick connector A



Quick connector B

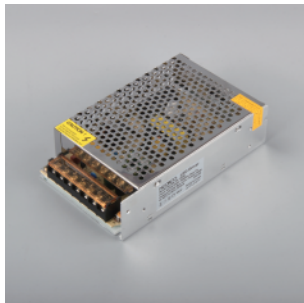


LED Strip Power Supply

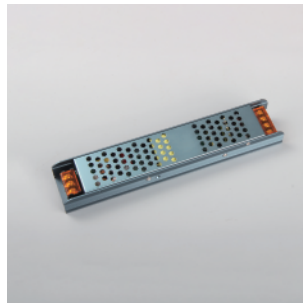
Item Code	Input Voltage (AC)	Input Current (A)	Output Voltage (DC)	Output Current (A)	IP	Watt
NR-PS-60W	100-240V	0.6A	24V	2.5A	20	60
NR-PS102-24V-60W	100-240V	0.6A	24V	2.5A	20	60
NR-PS102-24V-60-IP65	100-240V	0.6A	24V	2.5A	65	60
NR-PS-100W	100-240V	1A	24V	4.2A	20	100
NR-PS102-24-150W	100-240V	1.5A	24V	6.3A	20	150
NR-PS-150W	100-240V	1.5A	24V	6.2A	20	150
NR-PS-360W	100-240V	3.6A	24V	15A	20	360



NOTE: the power supply should not exceed 80% of the rated power for long periods of time!



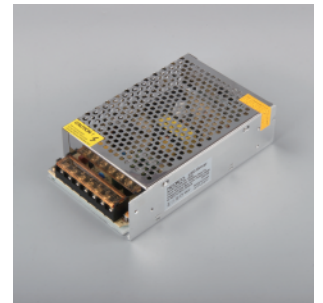
NR-PS-60W



NR-PS102-24V-60W



NR-PS102-24V-60-IP65



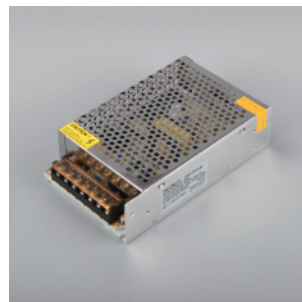
NR-PS-100W



NR-PS102-24-150W



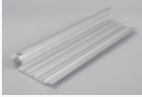
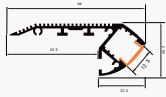
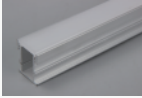

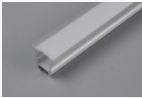
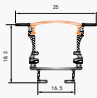
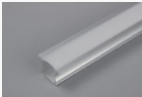
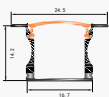
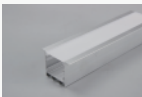
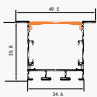
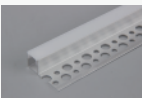
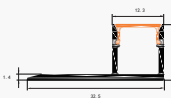

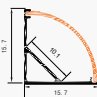
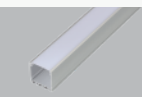
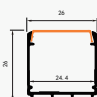
NR-PS-150W



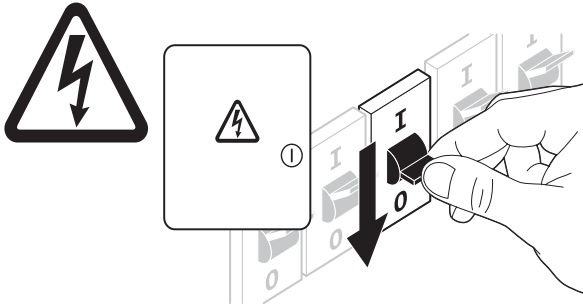
NR-PS-360W

Recommended spare parts

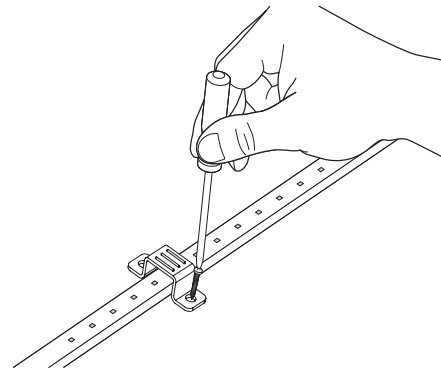
Aluminium Profile

Picture	Item Code	Cross section dimension	Match LED strip lights size
	NR-355		Max 12mm
	NR-XT-210		Max 12mm
	XT-226		Max 10mm
	XT-263		Max 12mm
	RG-425		Max 27mm
	XT-283		Max 11mm
	XT-58		Max 10mm
	PXG-2626		Max 24mm





1



2

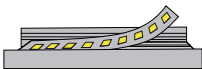
Installation



Stick-on



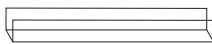
Heat Sink



Profile



Clip

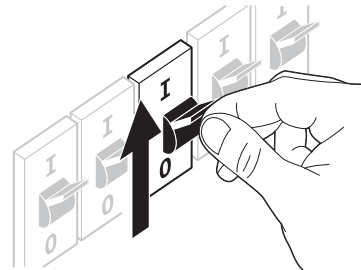


PC carrier



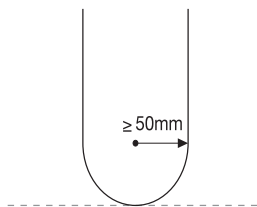
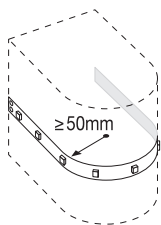
Moldable groove

3

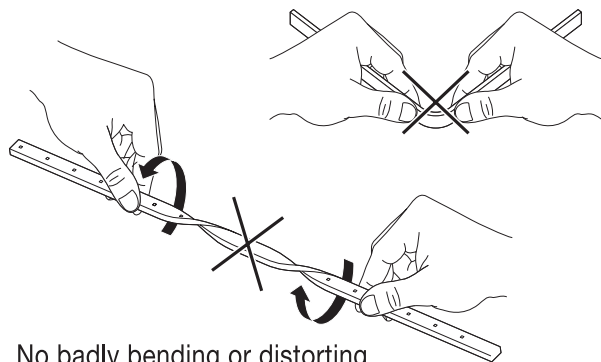


4

Disconnect mains power before installation, please use the clamp to fix the strip, turn on the power after strip is fixed









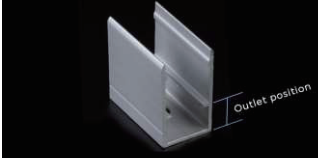
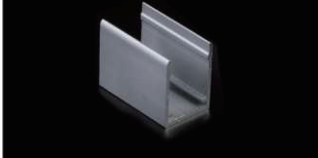






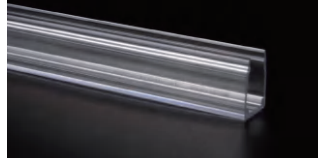









The radius when bending should be more than 50mm



No badly bending or distorting

Warning

<p>End cap</p>	<p>Top wire outlet</p> 	<p>Bottom wire outlet</p> 	<p>Left wire outlet</p> 	<p>Right wire outlet</p> 
				
<p>Mounting clip</p>	<p>Aluminum clip (outlet)</p>  <p>Outlet position</p>	<p>Aluminum clip</p> 	<p>PC clip</p> 	
			 <p>Transparent and invisible</p>	
<p>Mounting groove</p>	<p>Aluminum groove</p> 	<p>Aluminum groove (outlet)</p>  <p>Outlet position</p>	<p>PC groove</p> 	
		 <p>To hide the outlet</p>	 <p>Transparent and invisible</p>	
<p>Aluminum groove with reserved wire</p>	<p>outlet position</p>  <p>Protection for the neon strip</p>	<p>Side bend</p> 	<p>Top bend</p> 	
	 <p>Clip for fixing</p>	