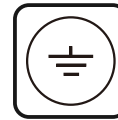


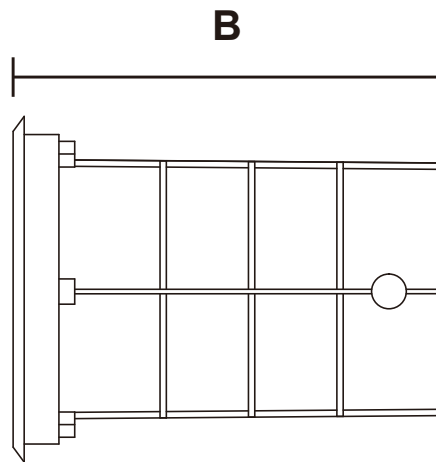
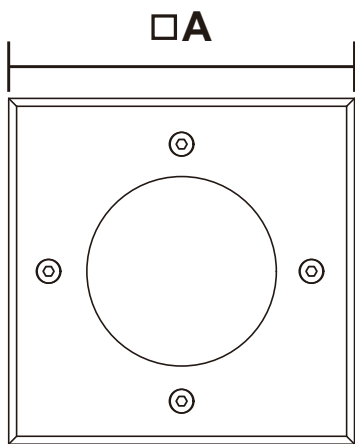
LAMP ACCESSORIES

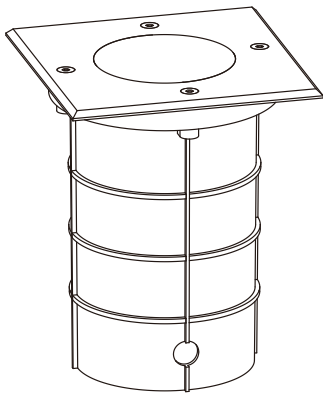
4011-S
IP67



Item Code	Socket	Color	Lamp Type	Dimensions in mm		Hole Size (mm)	kg
				A	B		
4011-S	GU10*1	Black	MR16	□110	140	Φ100	0.5

Dimensions in mm





Description:
LAMP ACCESSORIES

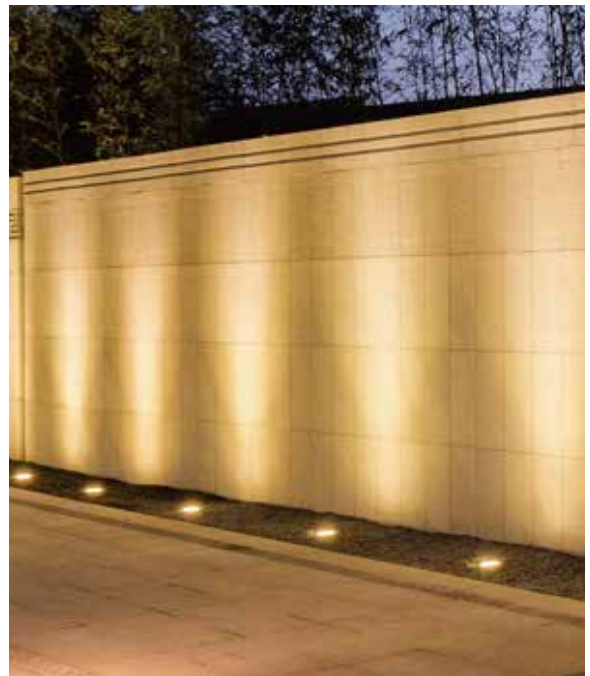
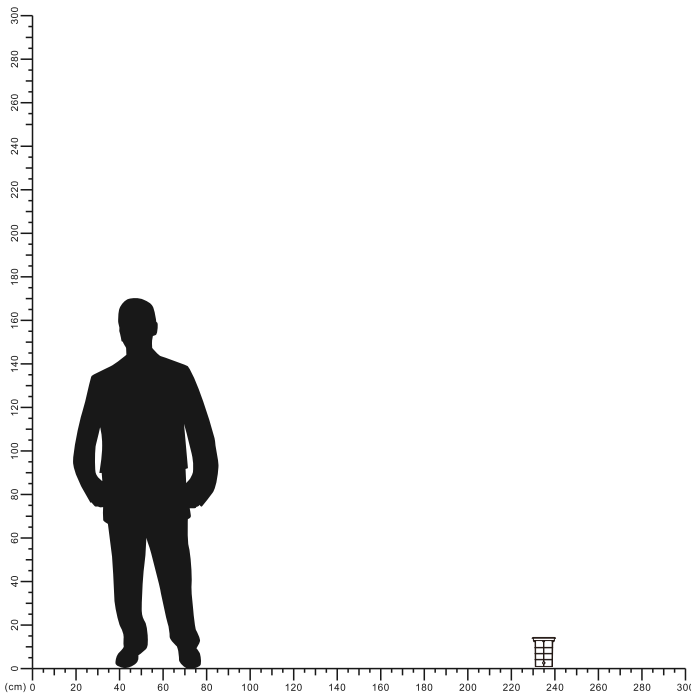
Main material:
Aluminum+Glass

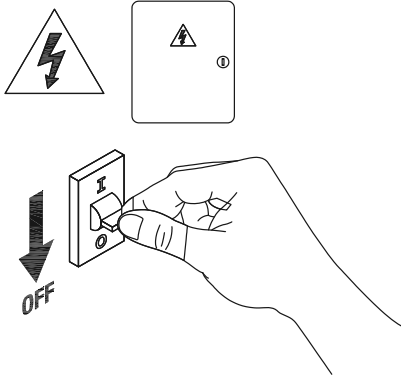
Specification

1. Fashionable simplicity: Classic modernist design, simple and generous lamp body, suitable for various decoration styles.
2. Texture material: Adopt high-quality materials, the surface is processed by special technology, which has texture and is easy to clean.
3. Multiple lights: Unique design concept, multiple light effects to choose from, both beautiful and practical.
4. Easy installation: The lamp holder adopts a user-friendly installation design, which is convenient, quick, time-saving and labor-saving.

Applications

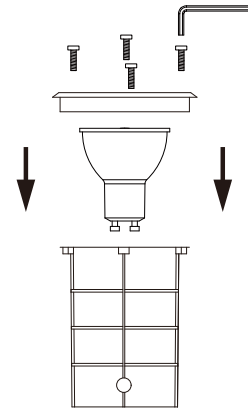
. Park . Square . Tourist attraction . Corridor



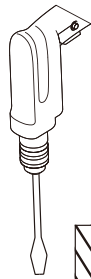


1

Turn off The Power

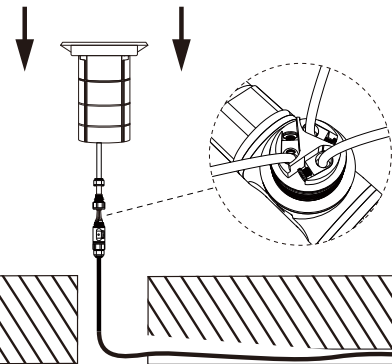


Install MR16 lamp cup



2

Opening holes on the ground



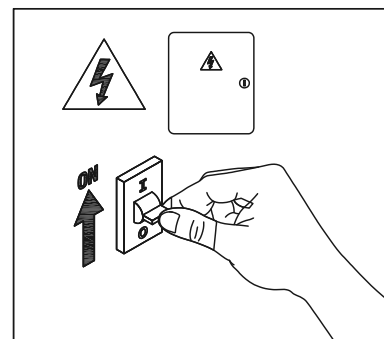
3

Connect the cable



4

Installation completed



5

Turn on the power

