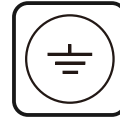


LED European wall lamp

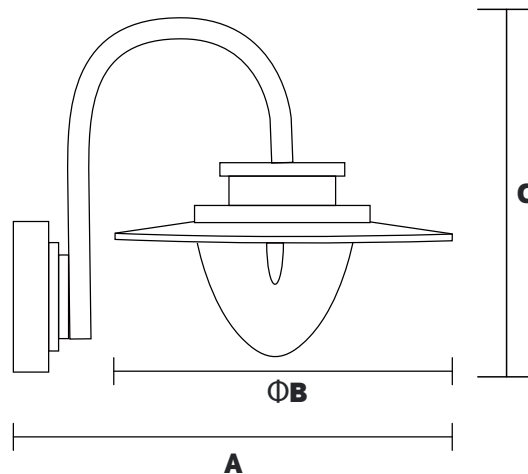
BD2027

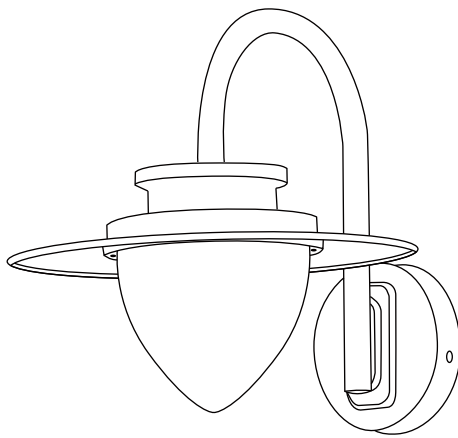
IP65



Item Code	Cap Type	Dimensions in mm			kg
		A	B	C	
BD2027	GX53*1(Max Size: Φ100mm)	300	Φ250	250	1.1

Dimensions in mm



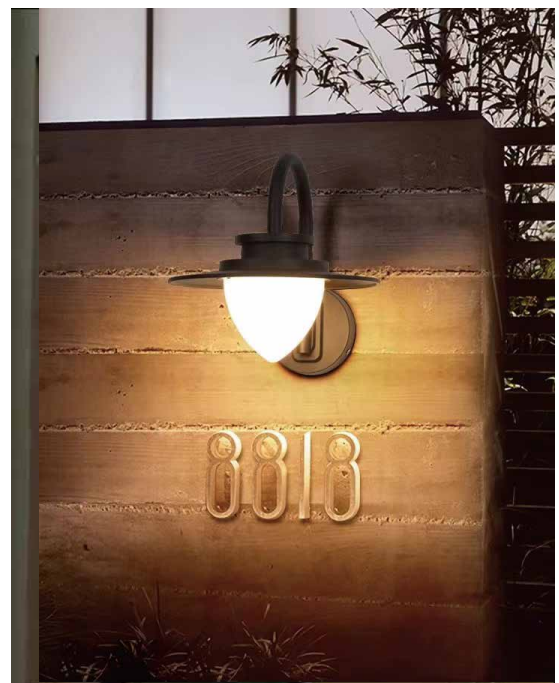
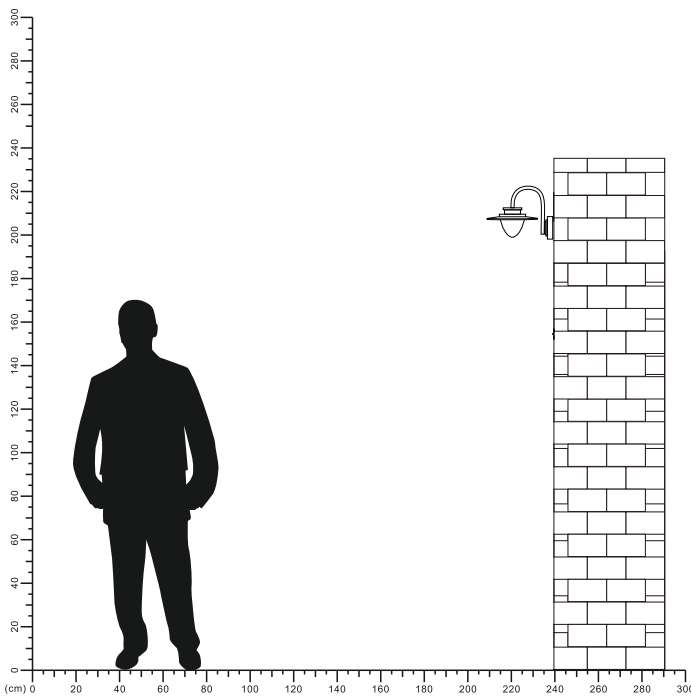


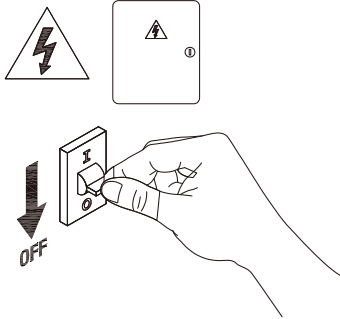
Description:
LED European wall lamp

Main material:
Aluminum + PC

Specification
Energy saving, up to 85% energy saving comparing to standard halogen and incandescent lamps High quality light, high color rendering, less heat, no UV or IR radiation LED driver is included IP65

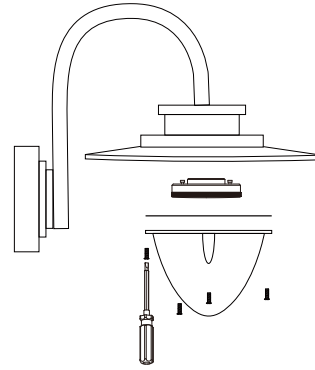
Applications
. Hotel
. Drawing room
. corridor





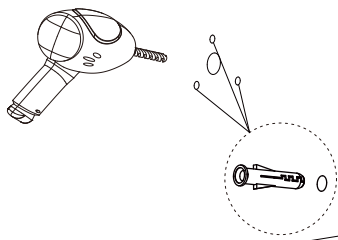
1

Turn off the power



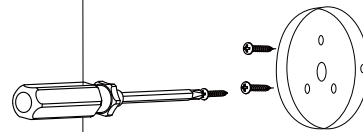
2

Install GX53 lamp, attach sealing rubber ring, install lamp shade



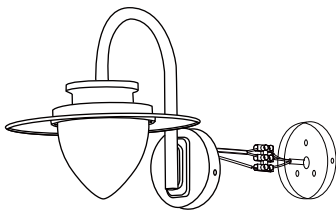
3

Drill holes in the wall insert expansion screws



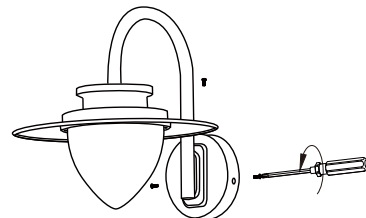
4

Install the base



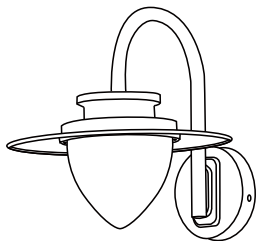
5

Connecting the power cord



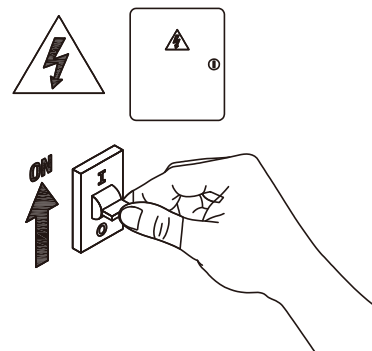
6

Tighten the screw cap



7

Installation completed



8

Turn on power

