

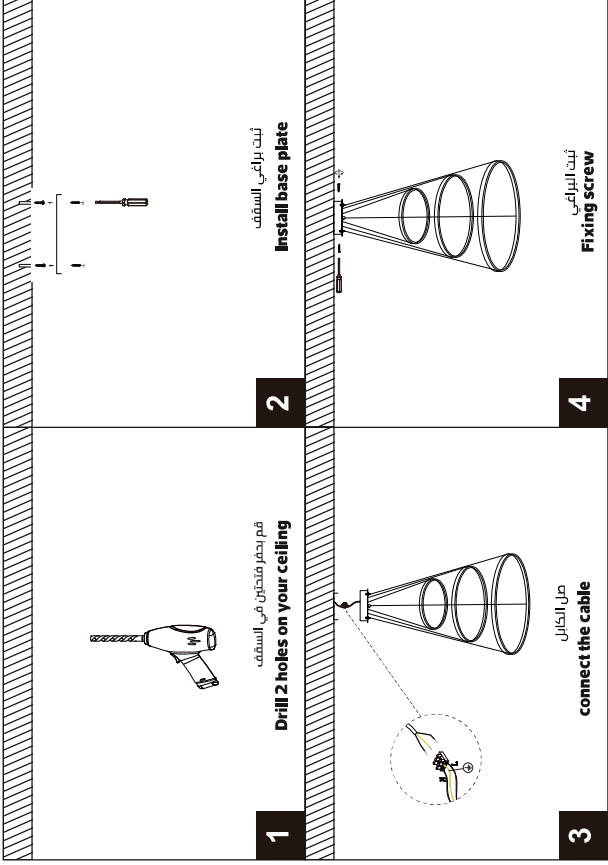
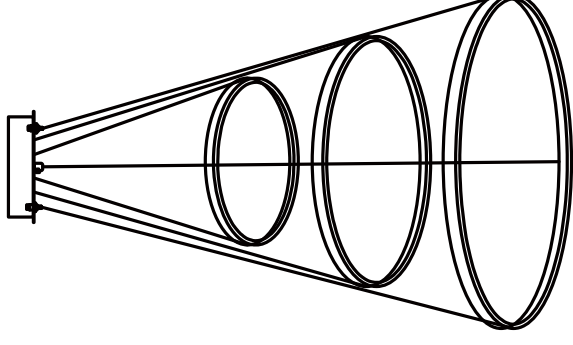
# 带光源吊灯模板 A4尺寸



ME-ICL0009-55

## Installation instruction

تعليمات التركيب



### معلومات التركيب

- 1 Safety first, make sure to disconnect power before installation to avoid electric shock and ensure your own safety.
- 2 Choose a suitable location. Select an appropriate location for installation based on the instructions provided. Consider the range and effect of the light, and choose the right height and angle.
- 3 Find a suitable mounting point. Locate a suitable mounting point on the wall or ceiling to ensure that the decorative lighting fixture can be securely installed. If necessary, use a suitable tool to drill a hole at the mounting point before installation to avoid damaging the wall or ceiling.
- 4 Use the right tools. Prepare the necessary tools for installation, such as screwdrivers, drills, etc. Ensure that the tools are of good quality and suitable for the installation work required.
- 5 Follow the instructions. During the installation process, be sure to carefully read and follow the instructions provided with the decorative lighting fixture. This will provide the correct installation steps and precautions.
- 6 Ensure the circuit meets safety requirements. Before installation, check if the circuit meets safety requirements. If you are not familiar with electrical circuits, it is best to seek assistance from a professional.
- 7 Ensure the decorative lighting fixture is securely stable. After completing the installation, make sure the decorative lighting fixture is securely stable and does not wobble, or loosen. If necessary, use screws or other fasteners to reinforce it, and replace any damaged parts promptly, when needed.
- 8 Be careful inspection and maintenance. After installation, regularly inspect the condition of the decorative lighting fixture to ensure its proper functioning. Clean and replace any damaged parts promptly, when needed.
- 9 The external flexible cable or cord of this luminaire cannot be replaced. If the cord is damaged, the entire luminaire must be replaced. The light source of this luminaire is not replaceable when the light source reaches its end of life, the whole luminaire shall be replaced.



Customer Service Center: 8004300030  
مركز خدمة العملاء: 8004300030

www.meshkati.sa

Made in China  
صنع في الصين

## Ceiling Lamp

مصباح سقفي