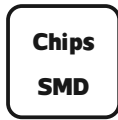
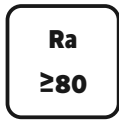


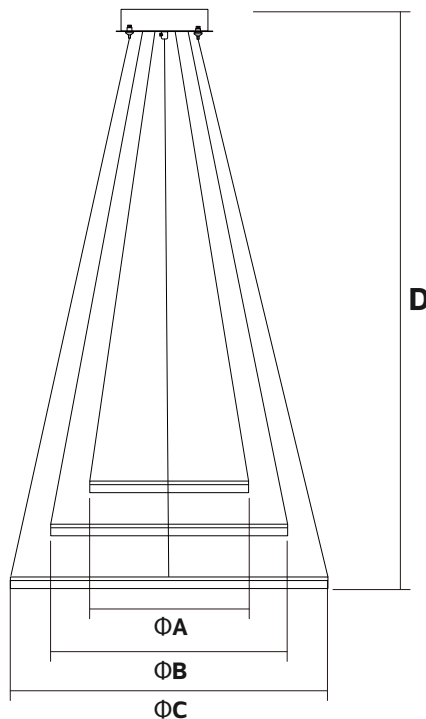
LED Ceiling Lamp

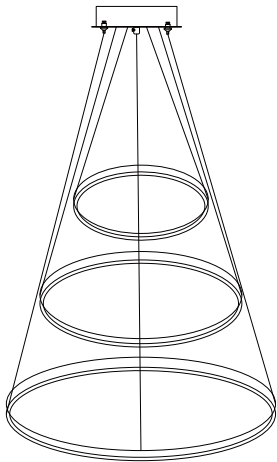
ME-ICL0009-55 ME-ICL0005-75
IP20



Model No	P(W)	Output (lm)	lm/w	CCT(K)	Color	Dimensions in mm				kg
						A	B	C	D	
ME-ICL0009-55	55	2750	50	3000	Black	Φ400	Φ600	Φ800	1500	5.7
ME-ICL0005-75	75	5250	70	3000	Black	Φ600	Φ800	Φ1000	1500	7.9

Dimensions in mm



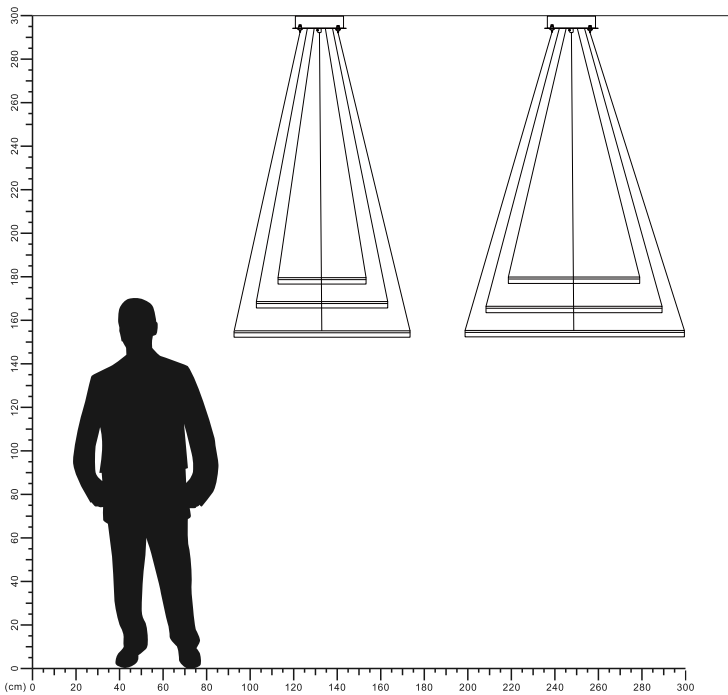


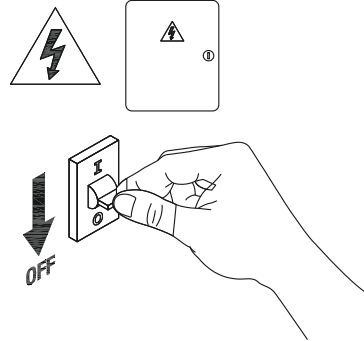
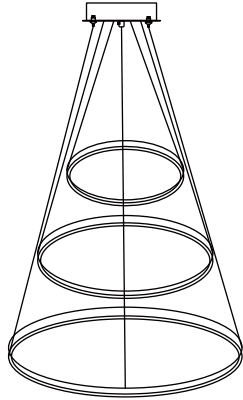
Description:
LED Ceiling Lamp

Main material:
Aluminum+Acrylic

Specification
Energy saving, up to 85% energy saving comparing to standard halogen and incandescent lamps High quality light, high color rendering, less heat, no UV or IR radiation LED driver is included IP20

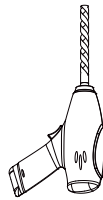
Applications
. Hotel
. Drawing room
. Dar





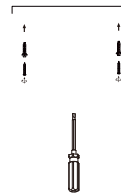
1

Turn off The Power



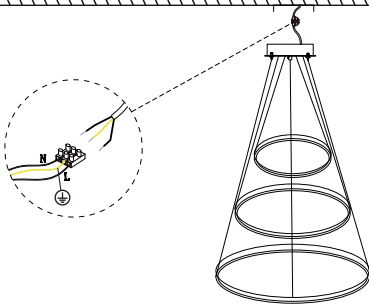
2

Drill 2 holes on your ceiling



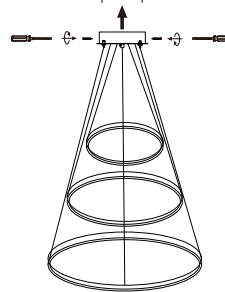
3

Install base plate



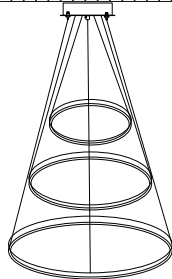
4

connect the cable



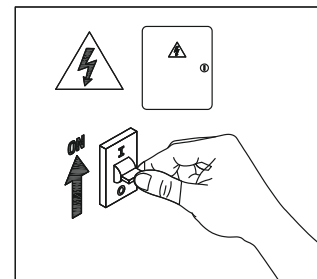
5

Install the lamp on the base



6

Installation completed



7

Turn on the power

