



LED Retrofit 30W E27



Product Overview

LED retrofit lamps are direct replacements for conventional incandescent, halogen, and compact fluorescent (CFL) lamps.

LEDs deliver higher lumens per watt (lm/W) which means significant energy savings while lasting more than ten times longer than incandescent sources. With their directional light, instant on and ability to dim, LEDs are fast becoming the light source of choice.

Features

- Light even distribution.
- More eco-valued.
- Wider beam angle.

Safety and Maintenance

- Switch off supply before installing or removing lamp.
- Allow to cool before handling.
- Do not use in totally enclosed fittings as this will reduce lamp life.
- Do not dispose of in household waste.
- Dispose of in appropriate section of local civic amenity site or recycling centre.

Specifications – E27 Cap

Item Code	S28563
Leedarson model	ST-SVCFB1aa004MA-NNN0470C20
Part number in certificate/report	S28563
Lamp Cap	E27
Rated Power (W)	3.6
Equivalent Wattage (W)	30
Rated Luminous Flux (lm)	350
CCT (K)	2000
Beam Angle	320°
Dimmable	NO
Rated Lifetime (h)	15000
Switching Cycles	40000
Input Voltage	220-240V~50/60Hz
Current (mA)	38
Chip Type	LED
Chip Brand	MTC
Mercury Free	YES
CRI	80
SDCM	/
Dimenesion (D*H)mm	145*64
Product Weight (g)	49
Power Factor	0.4
Rated Peak Candelas (cd)	/
Starting Time (S)	<0.5
Warm-up time to 60% (S)	<1
Instant light	YES
Ambient Temperature Range (°C)	(-20°C~40°C)
Clean-up instructions	See website
Retrofit	Yes

Energy Label – E27 Cap

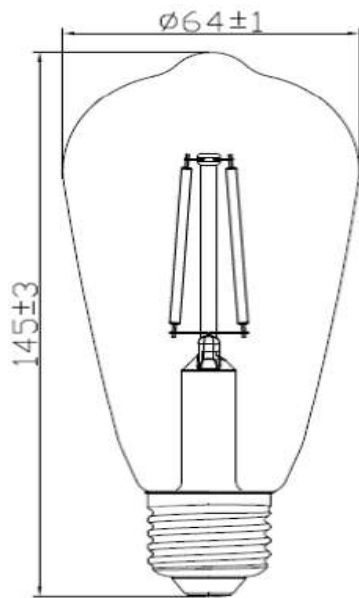
Energy Class	F
Energy Consumption (kWh/1000h)	4

* The kWh/1000h value published on the energy label is required to be rounded up to an integer according to the EU implementing directive on Energy Labelling. The value to 2 decimal places is given for reference.

Product Markings — E27 Cap

Voltage	220-240V~50/60Hz
Nominal Power (W)	3.6
Current (mA)	38
CE Mark	Yes
WEEE Mark	Yes
Batch Code	Yes

Dimensions



S28563

Photometric Information

2000K

N/A