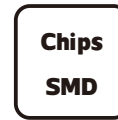
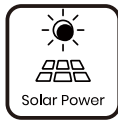


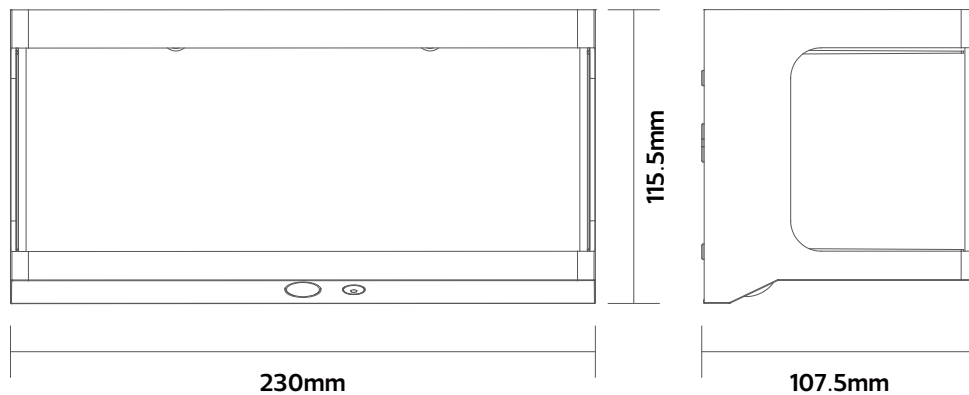
## SOLAR LED OUTDOOR WALL LIGHT

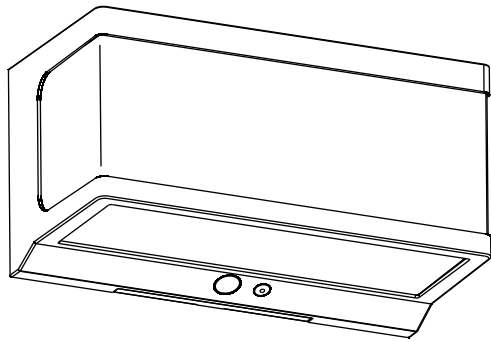
ESL-53  
IP54



Item Code	Watt	Solar Panel	Battery Capacity	Charging/ Discharging Temp:	Charging Time	CCT	kg
ESL-53	21W	Mono-Crystalline 2.2W	3.7V/14.8Wh	0~45°C/-20~60°C	8.9h	3000K,Ra≥80	0.76
Lumen	Lighting Time in Rainyday	Control Mode	Lighting Mode		PIR	IP/IK Rated	
95.23lm/W	≥10 days	Long Press 1.5s On/Off	M1:200lm+PIR(1Minute) M2:0+PIR(1Minute) M3:600lm timing 6 hours M4:2000lm timing 2 Hours		Max 5m,120°	IP54	

### Dimensions in mm



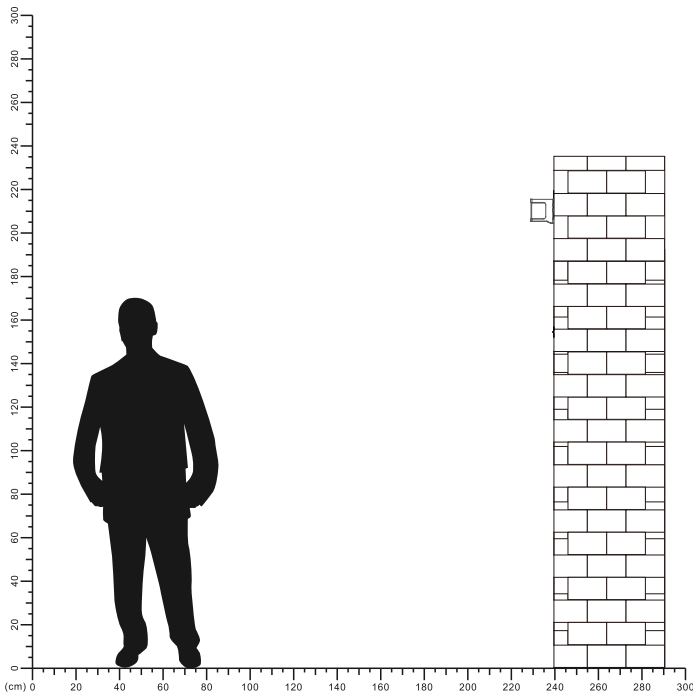


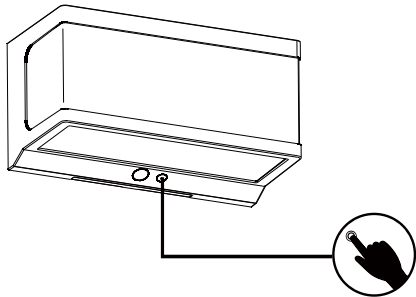
**Description:**  
SOLAR LED OUTDOOR WALL LIGHT

**Main material:**  
PC

**Specification**  
Energy saving, up to 85% energy saving comparing to standard halogen and incandescent lamps High quality light, high color rendering, less heat, no UV or IR radiation  
LED driver is included  
IP 54

**Applications**  
. Park  
. Square  
. Garden



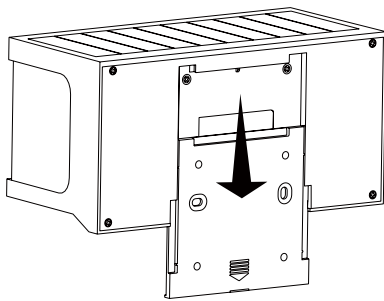


**Switch Button**

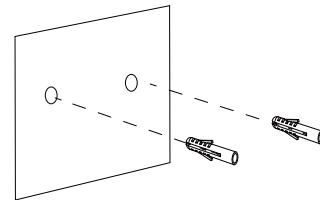
Long press 1.5s to On/Off  
Short press to switch lighting mode.

**Lighting Mode**

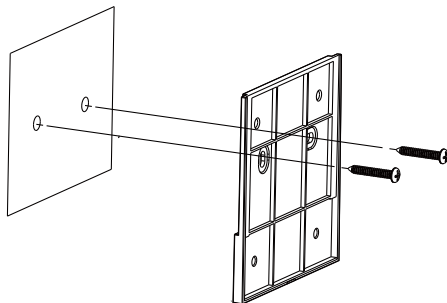
M1:200lm+PIR(1Minute)	M2:0+PIR(1Minute)
M3:600lm timing 6 hours	M4:2000lm timing 2 Hours



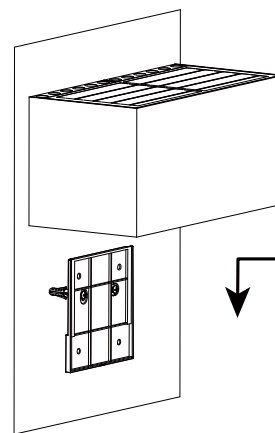
**1** Take off the bracket from the lamp body



**2** Drilling and embedding the expansion screws into the wall



**3** Fix the bracket by screws into the wall



**4** Hang the lamp body on the bracket

