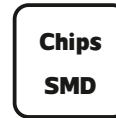
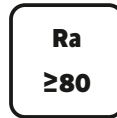


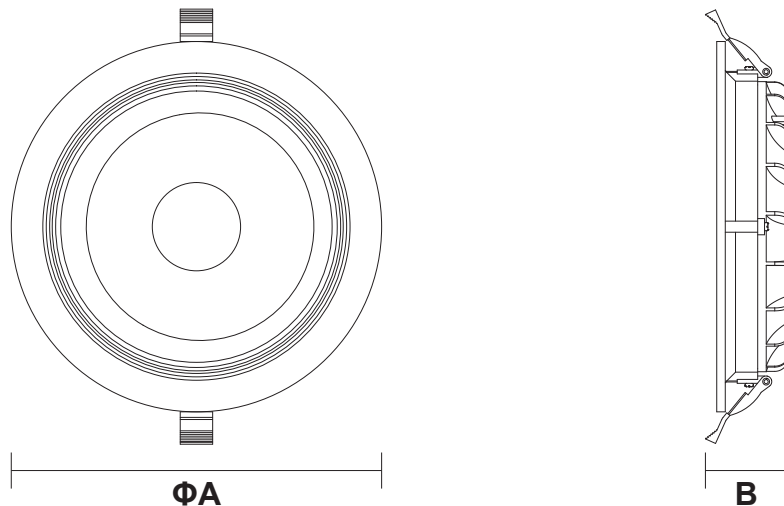
LED DownLight

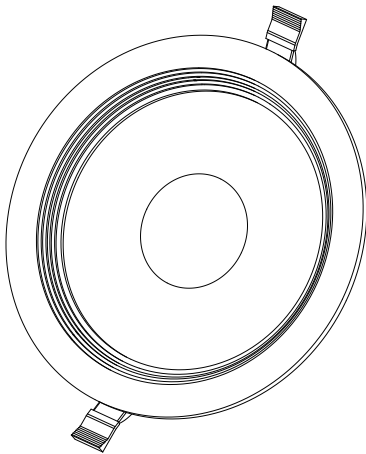
GL-DL105 Series
IP20



Item Code	P (W)	Beam angle	Output (lm)	lm/w	Dimensions in mm		Hole Size (mm)	kg
					A	B		
GL-DL105-7	7	45°	540	77	Φ90	50	Φ70mm	0.07
GL-DL105-10	10	120°	750	75	Φ120	52	Φ100mm	0.14
GL-DL105-15	15	90°	1200	80	Φ165	52	Φ140mm	0.24
GL-DL105-30	30	120°	2400	80	Φ220	55	Φ200mm	0.40

Dimensions in mm





Description:

LED DL105 Downlight

Main material:

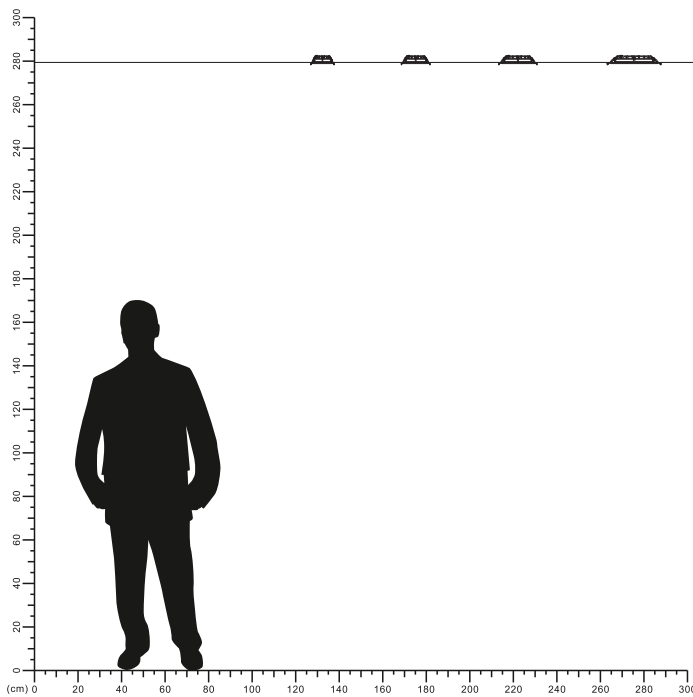
Die-cast aluminum + Glass cover + engineering plastic

Specification

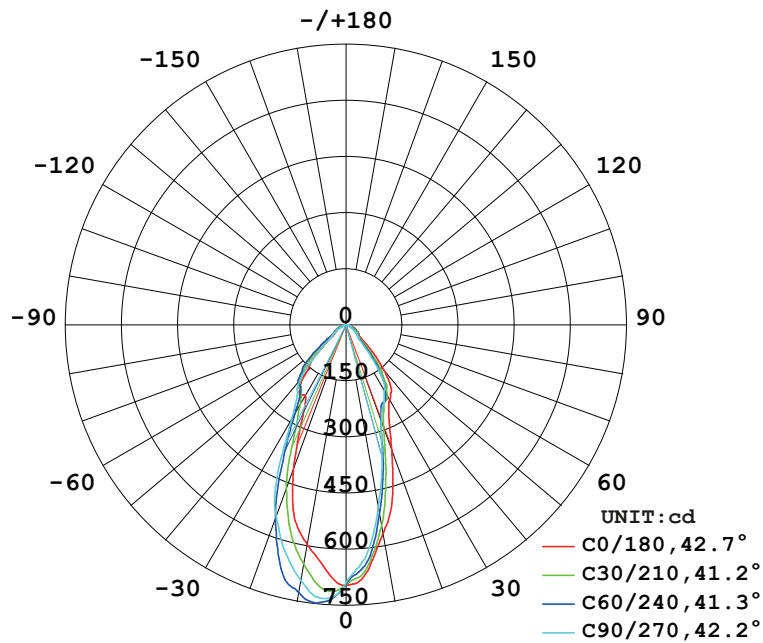
Energy saving, upto 85% energy saving comparing to standard halogen and incandescent lamps Long life, up to 30,000 hours High quality light, high color rendering, less heat, no UV or IR radiation Build-in LED driver IP20

Applications

- . Shopping mall
- . Office buildings
- . Exhibition hall
- . Public lighting places
- . Domestic

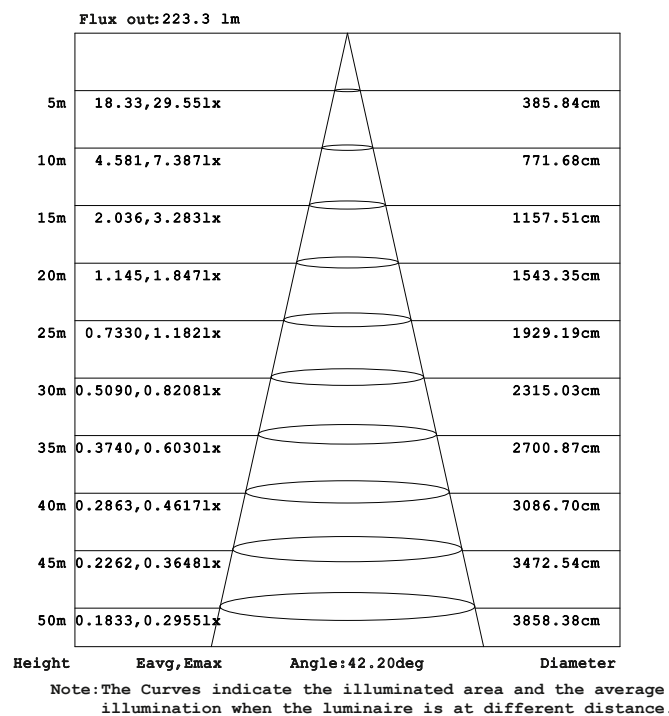


LUMINOUS INTENSITY DISTRIBUTION DIAGRAM



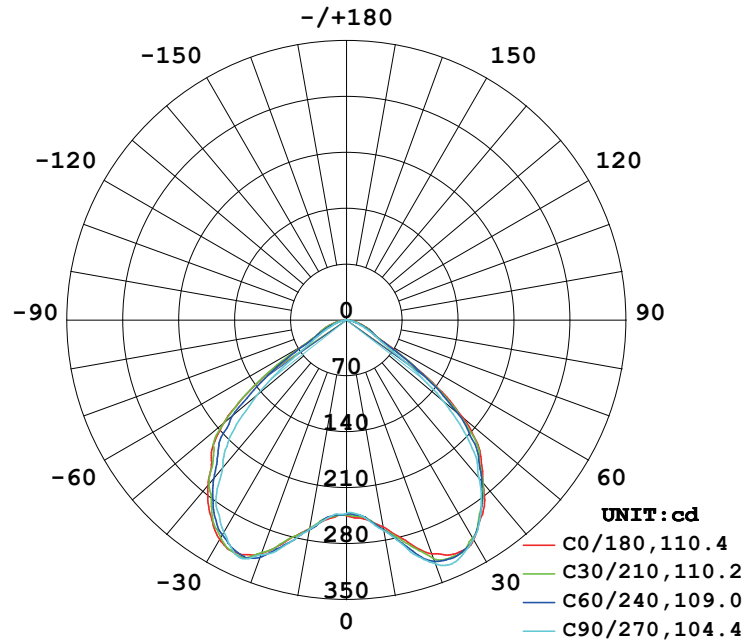
AVERAGE BEAM ANGLE (50%) : 41.8 DEG

Illuminance at a Distance



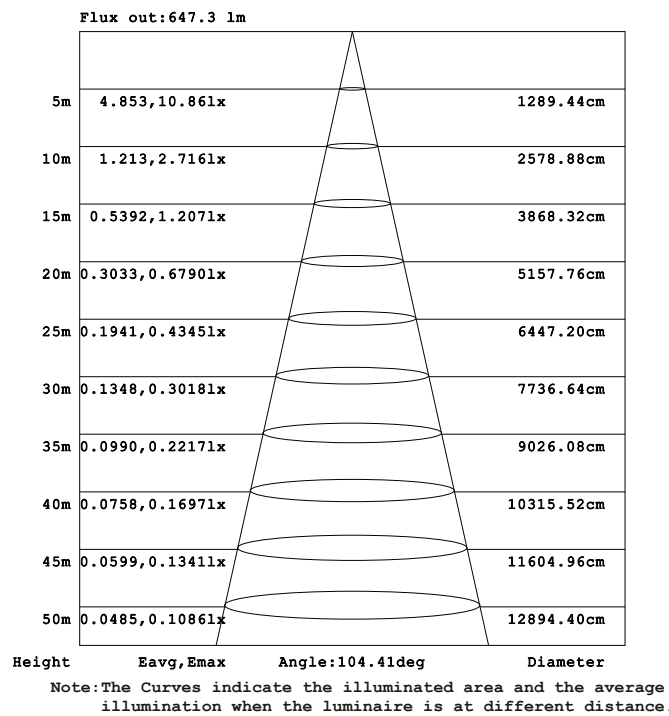
Model: GL-DL105-7

LUMINOUS INTENSITY DISTRIBUTION DIAGRAM



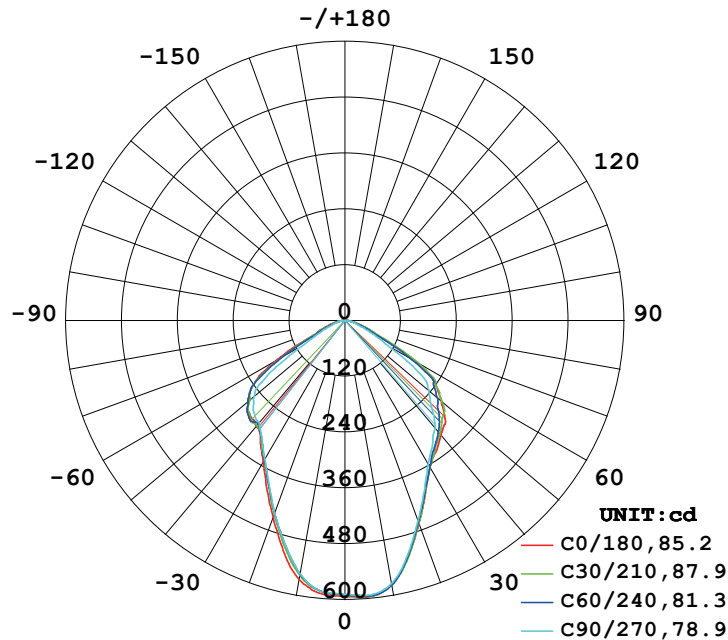
AVERAGE BEAM ANGLE (50%) : 108.5 DEG

Illuminance at a Distance



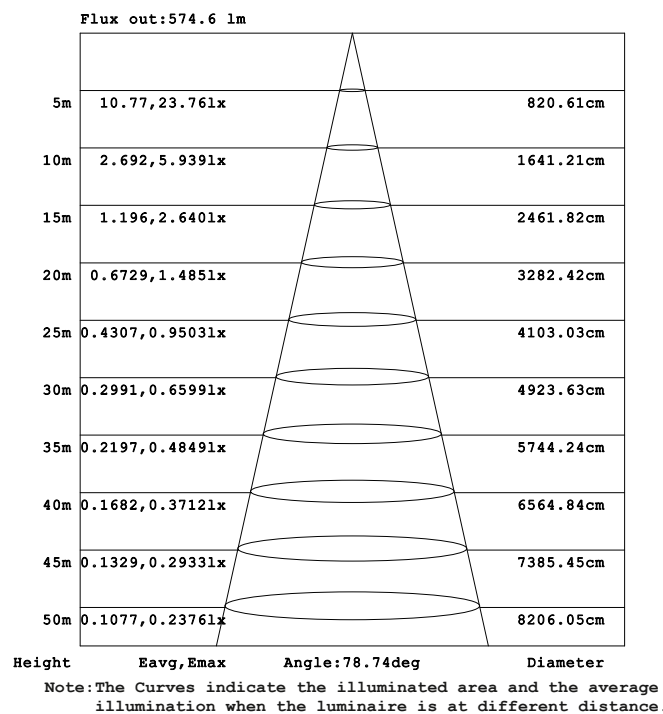
Model: GL-DL105-10

LUMINOUS INTENSITY DISTRIBUTION DIAGRAM



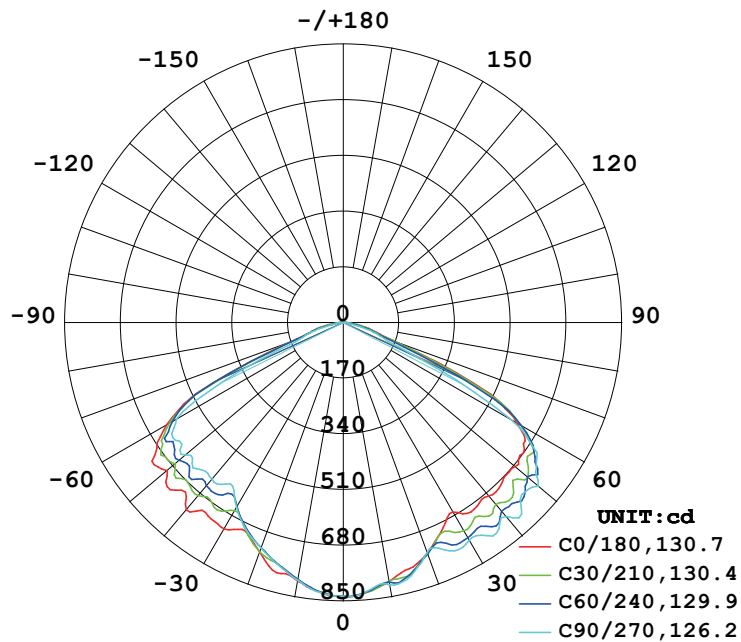
AVERAGE BEAM ANGLE (50%) : 83.3 DEG

Illuminance at a Distance



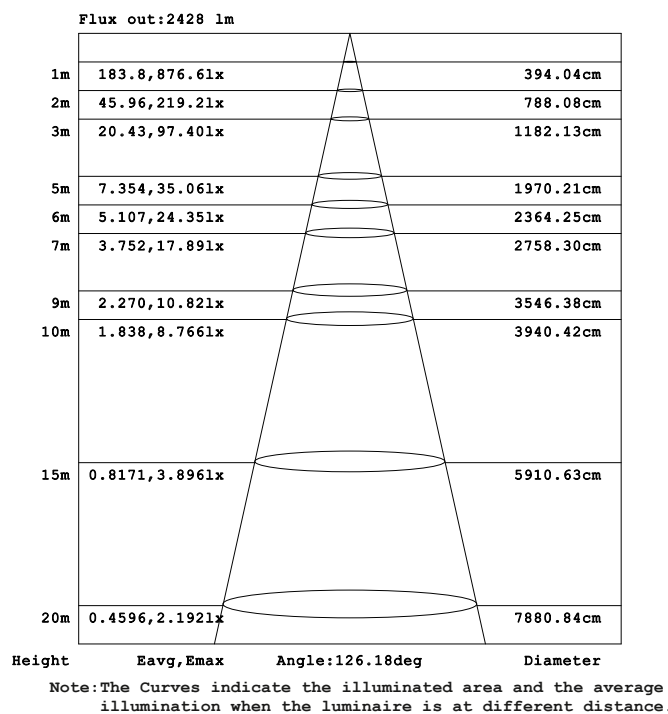
Model:GL-DL105-15

LUMINOUS INTENSITY DISTRIBUTION DIAGRAM



AVERAGE BEAM ANGLE (50%) : 129.3 DEG

Illuminance at a Distance



Model: GL-DL105-30

