

LED Ceiling Lamp

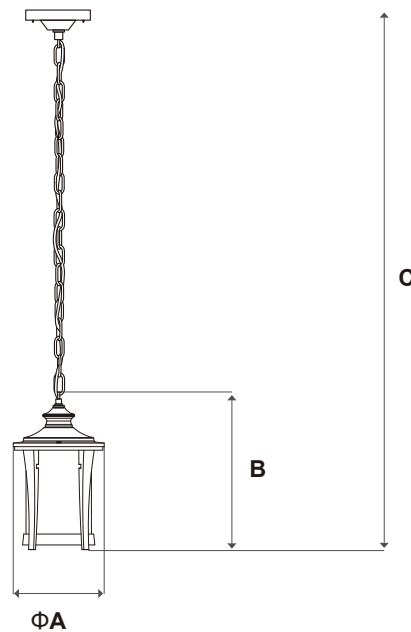
H067-D

IP65



Item Code	Socket	Dimensions in mm			kg
		A	B	C	
H067-D	E27*1(Max Size: Ø80mm)	Ø170	270	1000	1.77

Dimensions in mm





Description:

LED Ceiling Lamp

Main material:

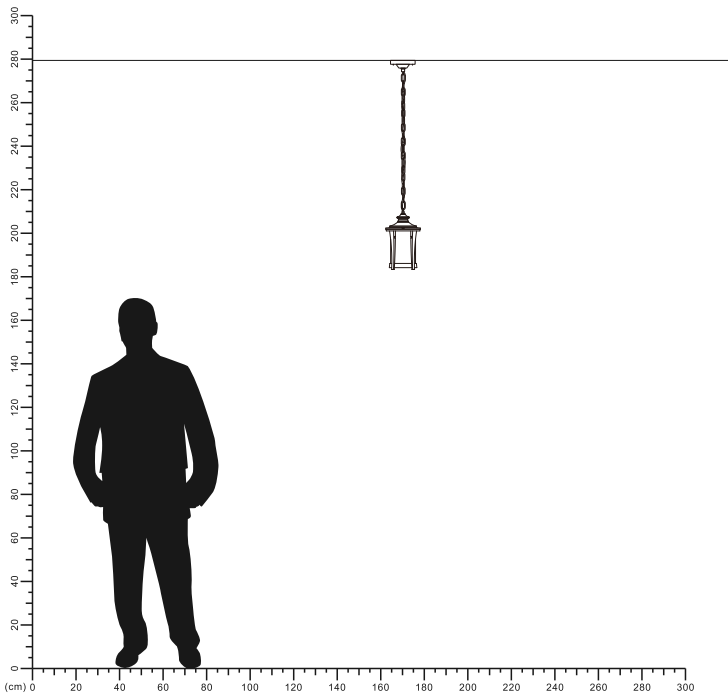
Die-cast aluminum+ glass

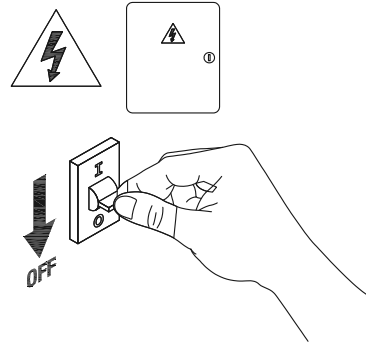
Specification

Stable lamp body under stress, Die cast aluminum molding, antioxidant, High transmittance of 98%, beautiful and practical, detachable IP 65

Applications

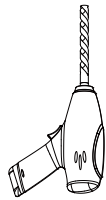
- . Villas
- . Parks
- . Communities





1

Turn off The Power



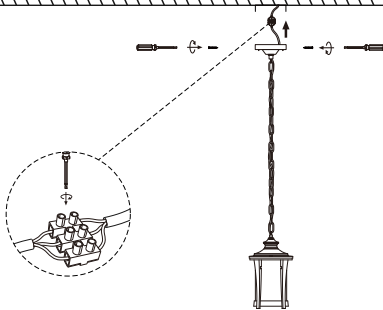
2

Drill 2 holes on your ceiling



3

Install base plate



4

connect the cable and
Install the ceiling lamp on the base plate



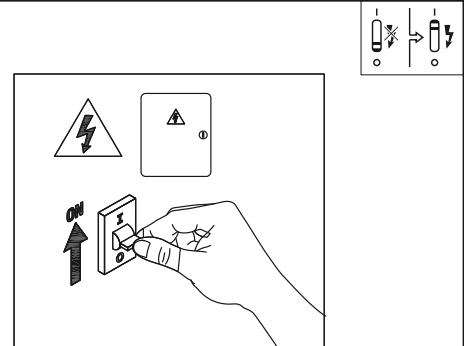
5

Install E27 bulb



6

Installation completed



7

Turn on the power

