

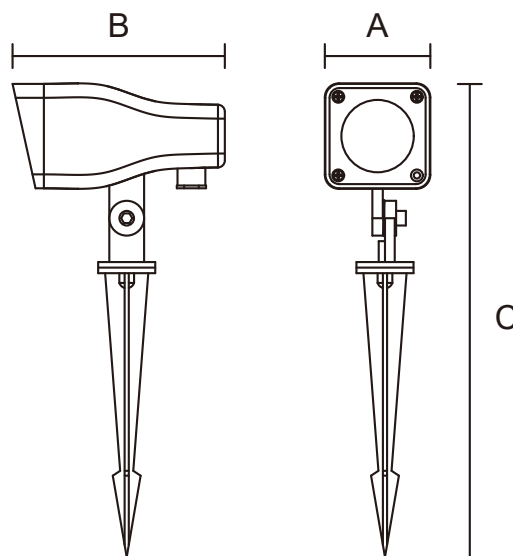
LAMP ACCESSORIES

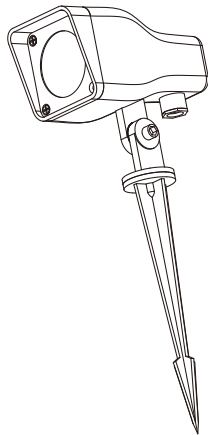
H8005
IP65



Item Code	Socket	Dimensions in mm			kg
		A	B	C	
H8005	GU10*1	77	150	340	0.562

Dimensions in mm





Description:
LAMP ACCESSORIES

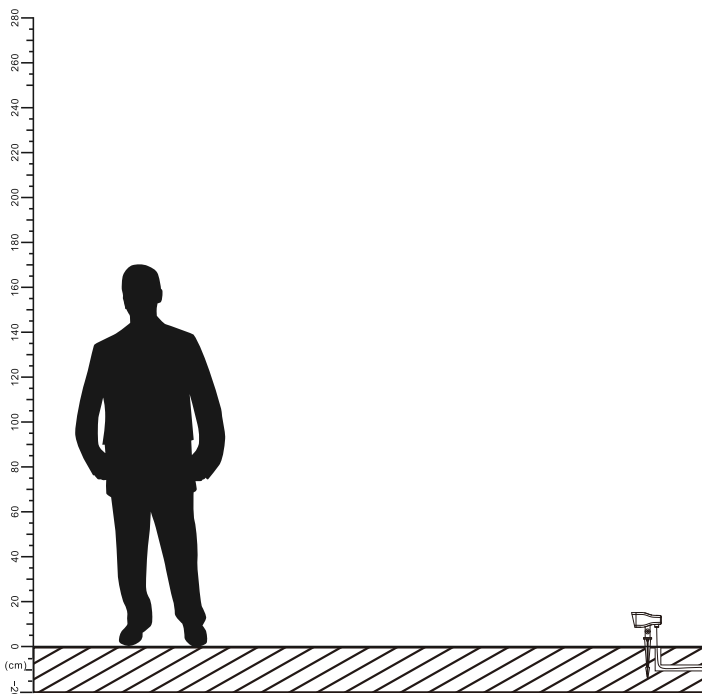
Main material:
Aluminum+Glass

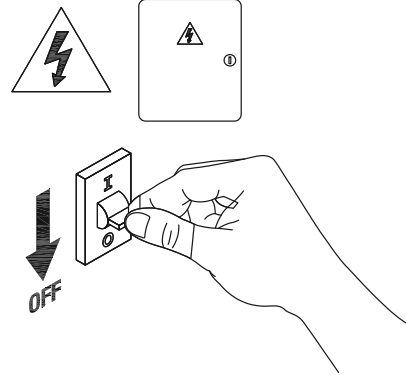
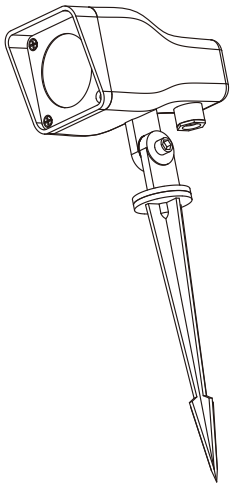
Specification

1. Fashionable simplicity: Classic modernist design, simple and generous lamp body, suitable for various decoration styles.
2. Texture material: Adopt high-quality materials, the surface is processed by special technology, which has texture and is easy to clean.
3. Multiple lights: Unique design concept, multiple light effects to choose from, both beautiful and practical.
4. Easy installation: The lamp holder adopts a user-friendly installation design, which is convenient, quick, time-saving and labor-saving.

Applications

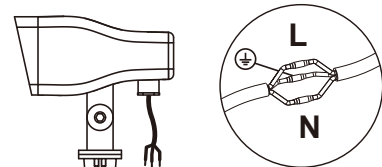
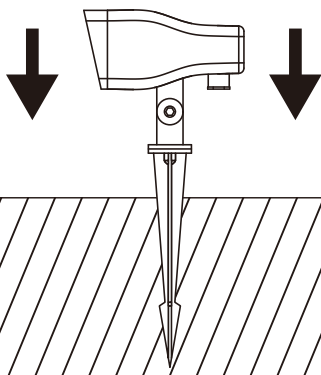
. Park . Square . Tourist attraction . Corridor





1

Turn off The Power

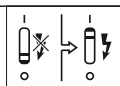
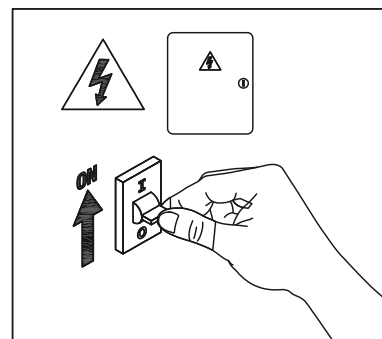
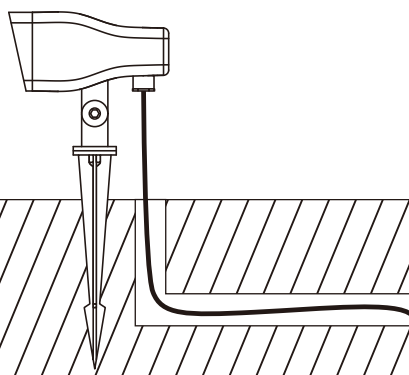


2

Insert the lamp body into the ground

3

Connect the cable



4

Installation completed

5

Turn on the power

