

Waterproof joint

HJ15-3P

IP68



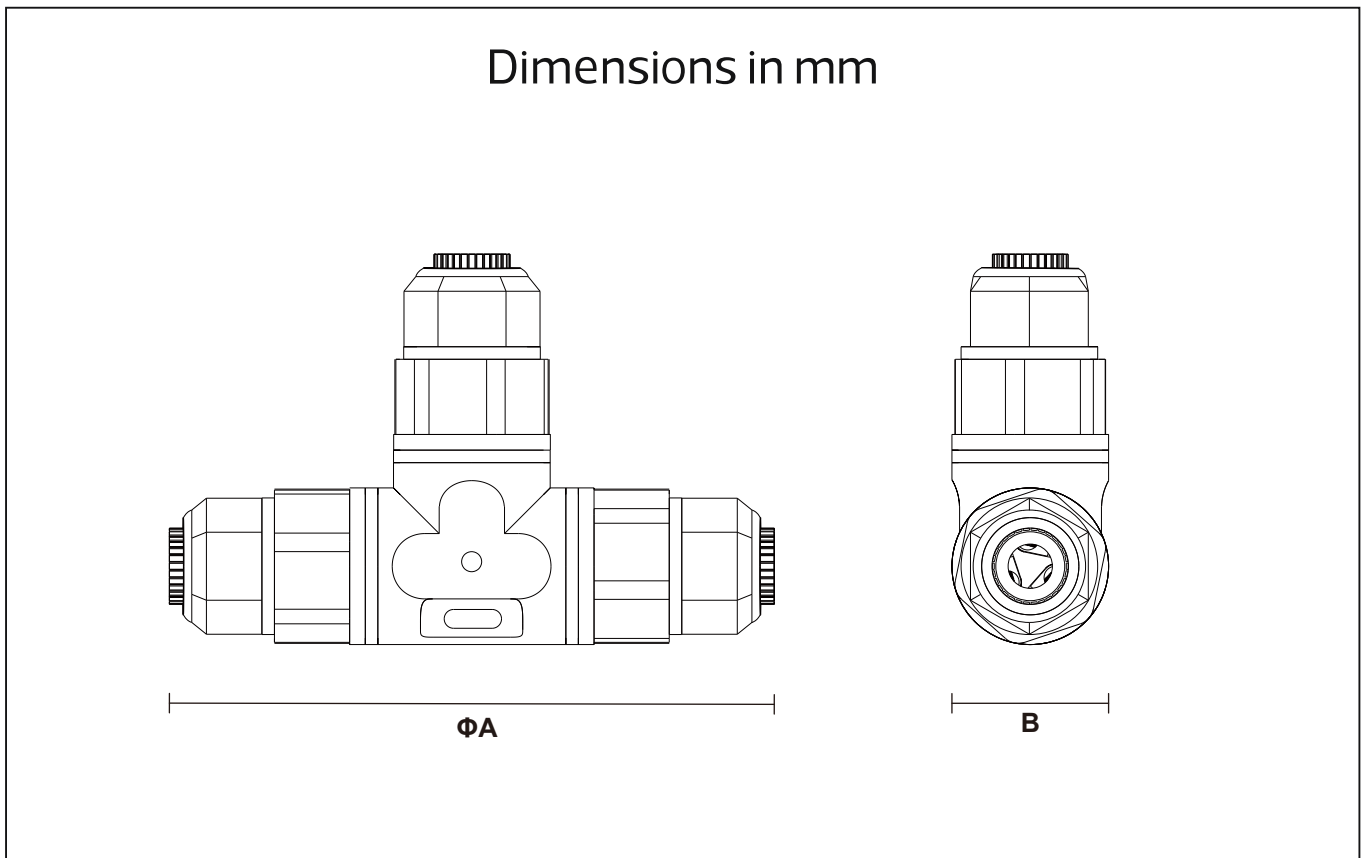
Copper wire diameter
1-2.5mm²

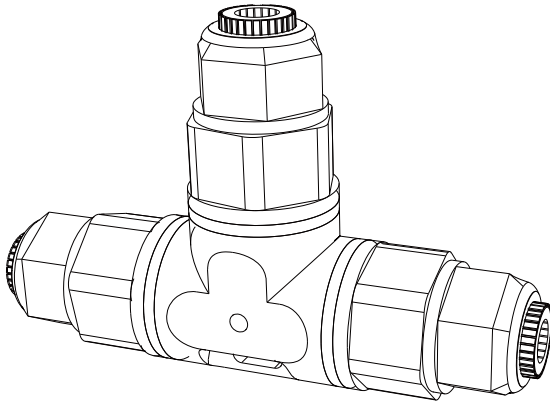
Line diameter
4-8mm

Max
450V 16A

IP68

Item Code	Color	Dimensions in mm			kg
		A	B	C	
HJ15-3P	Black	92	25	63	0.06



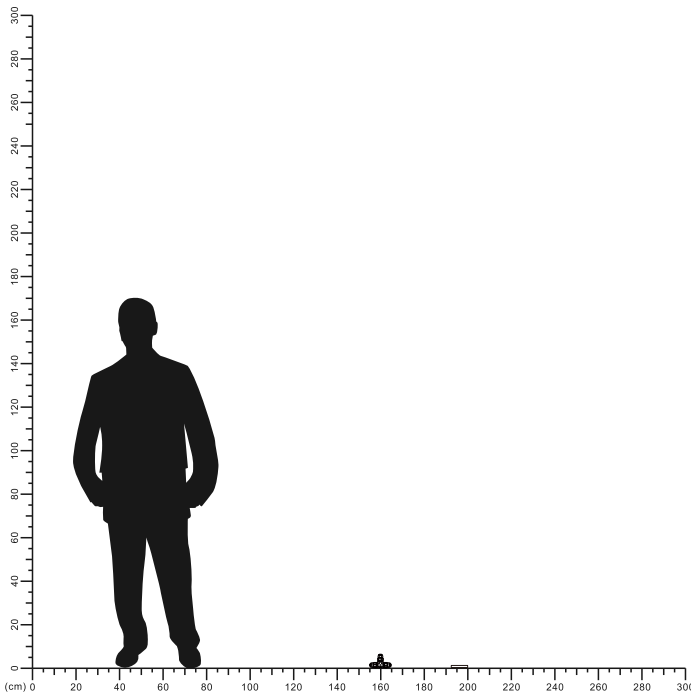


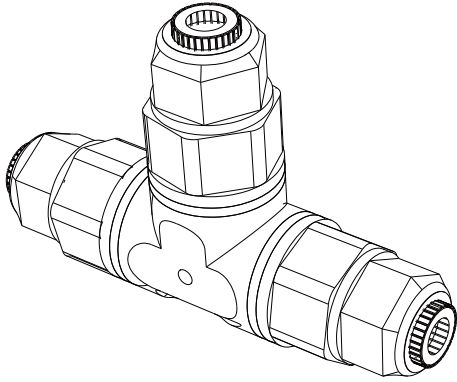
Description:
HJ15-3P

Main material:
Nylon

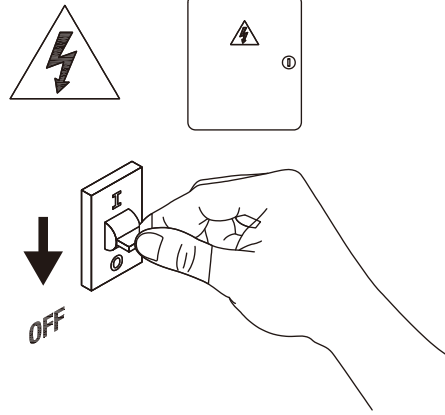
Specification
Excellent material, durable
IP68

Applications
. Park
. Square
. Pool



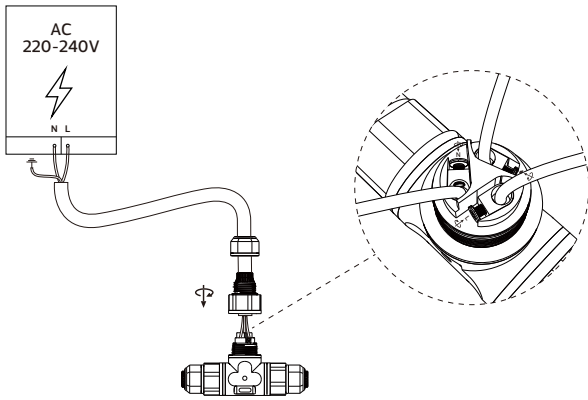


1



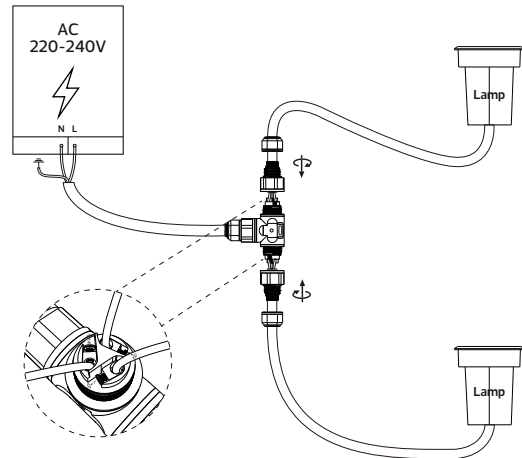
2

Turn off the power



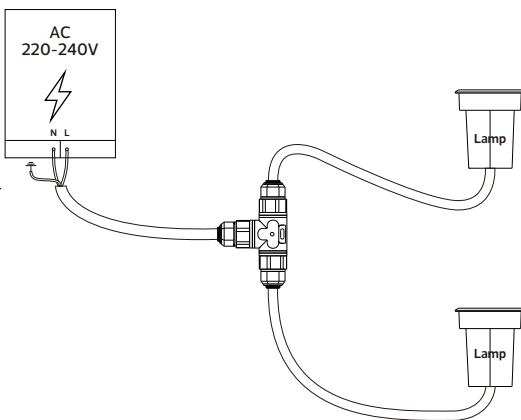
3

Connecting cable "L", "N", "⚡"



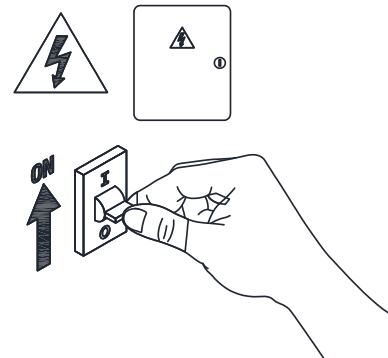
4

Connecting cable "L", "N", "⚡"



5

Installation completed



6

Turn on power

