

LED Outdoor Wall Lamp

HL-5179 Series

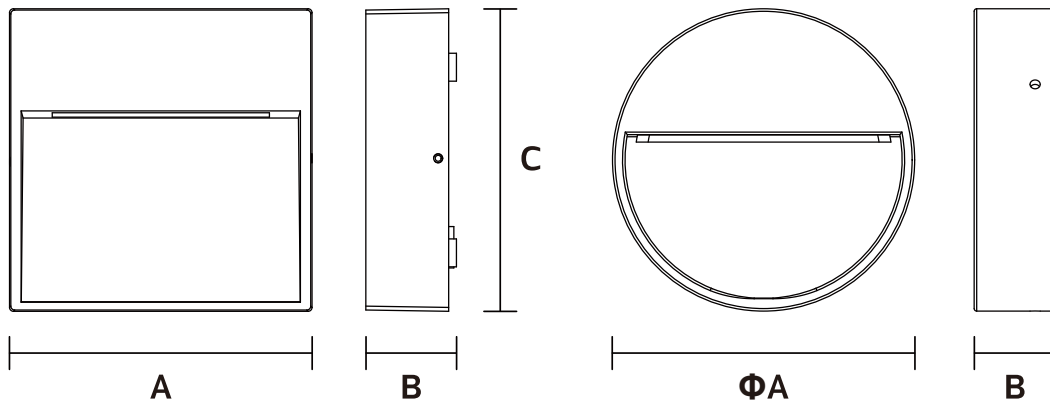
IP65

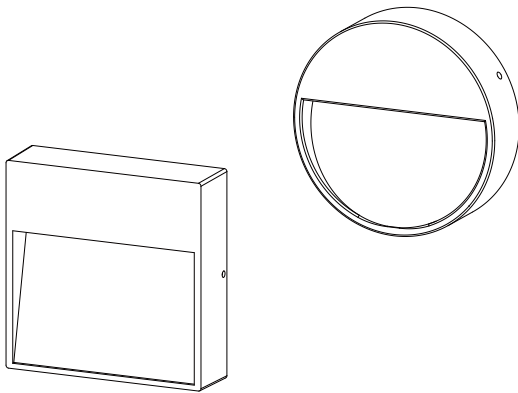


Outdoor 	AC 220-240V	50/60 Hz	PF ≥0.4	CCT 3000K	Ra ≥80	IP65	Beam Angel 45°	Chips SMD	
--------------------	-----------------------	--------------------	-------------------	---------------------	------------------	-------------	--------------------------	----------------------------	--

Item Code	P (W)	CCT (K)	Beam angle	Output (lm)	lm/w	Dimensions in mm			
						A	B	C	
HL-5179F/S	3	3000	45°	50	16.6	116	32	116	0.43
HL-5179F/L	6	3000	45°	390	65	200	32	200	0.96
HL-5179Y/S	3	3000	45°	50	16.6	Φ118	32	-	0.35
HL-5179Y/L	6	3000	45°	390	65	Φ200	32	-	0.94

Dimensions in mm



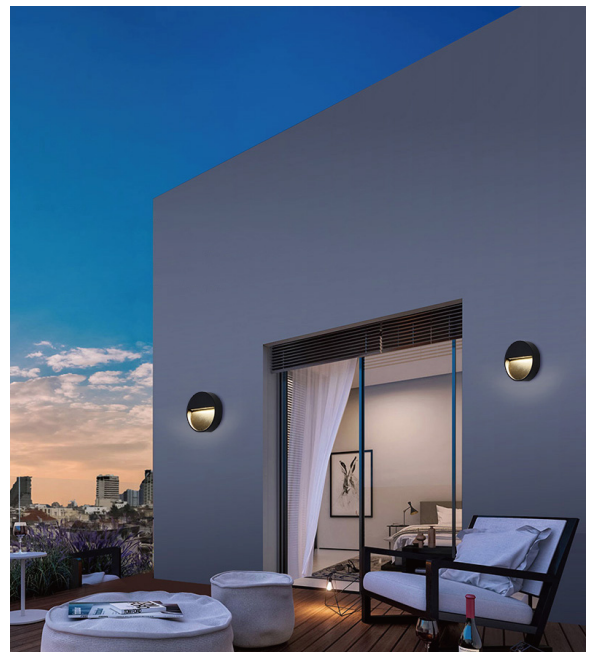
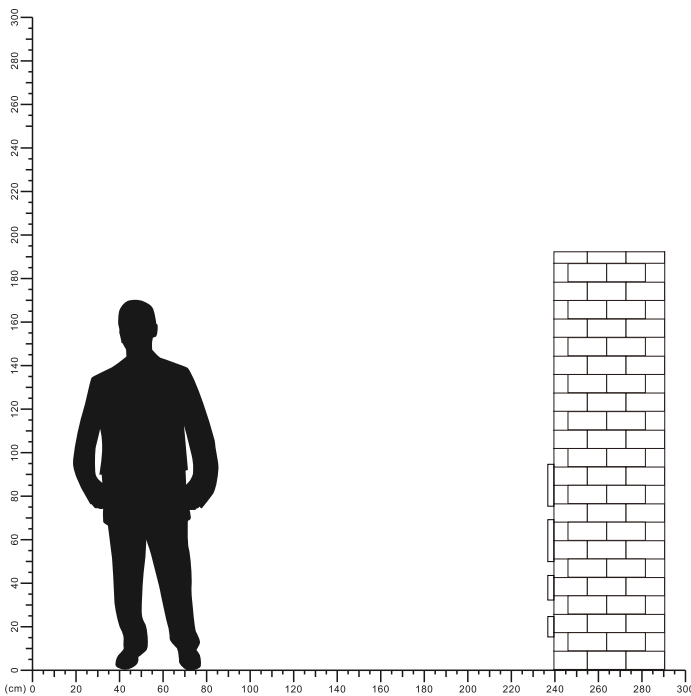


Description:
LED Outdoor Wall Lamp

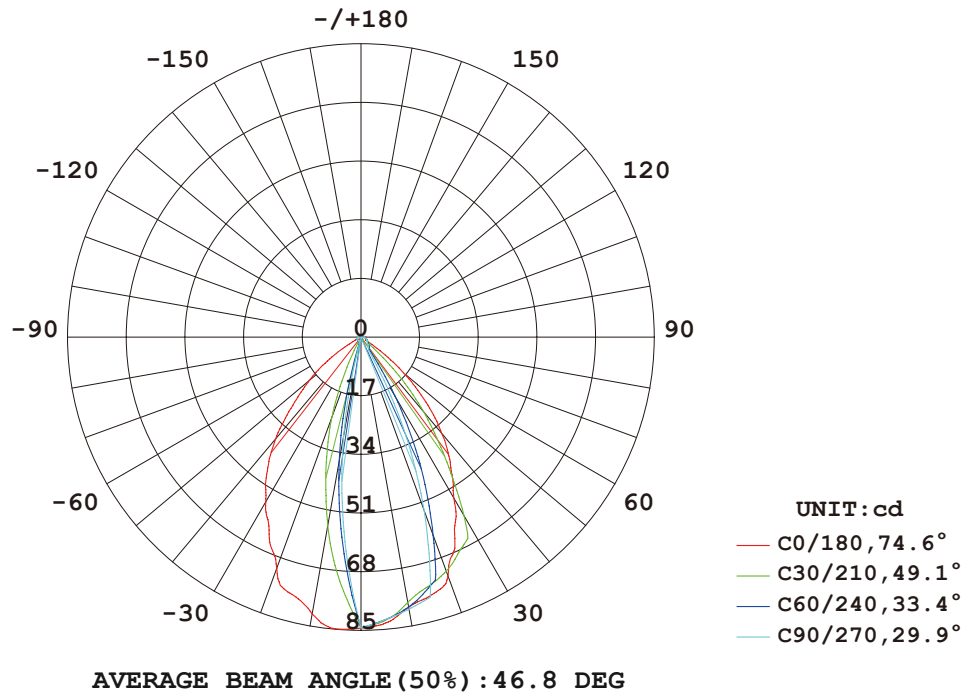
Main material:
Aluminum+Glass

Specification
The lamp is made of high-quality materials and advanced manufacturing processes, with excellent waterproof, moisture-proof, and dust-proof performance, making it safe to use in rainy, snowy, and humid environments. At the same time, the product adopts exquisite appearance design and can choose from a variety of styles and lighting effects, making your outdoor space more full of vitality.

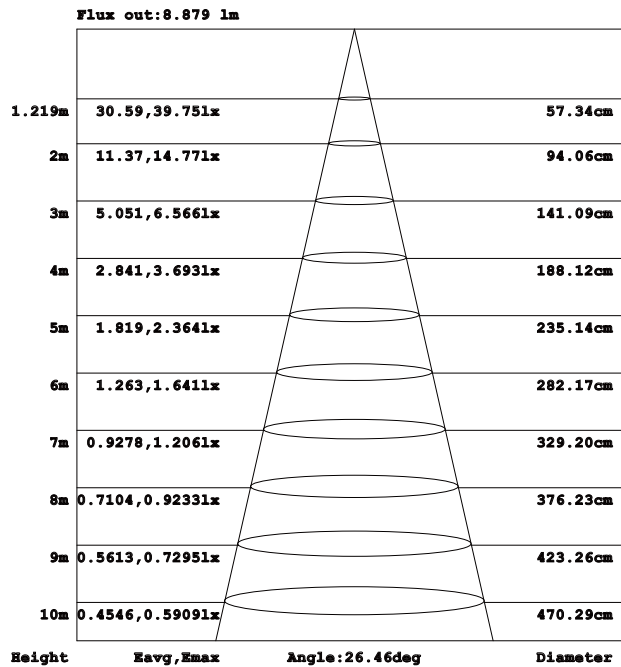
Applications
. Bedroom
. Living room
. Stairs



LUMINOUS INTENSITY DISTRIBUTION DIAGRAM

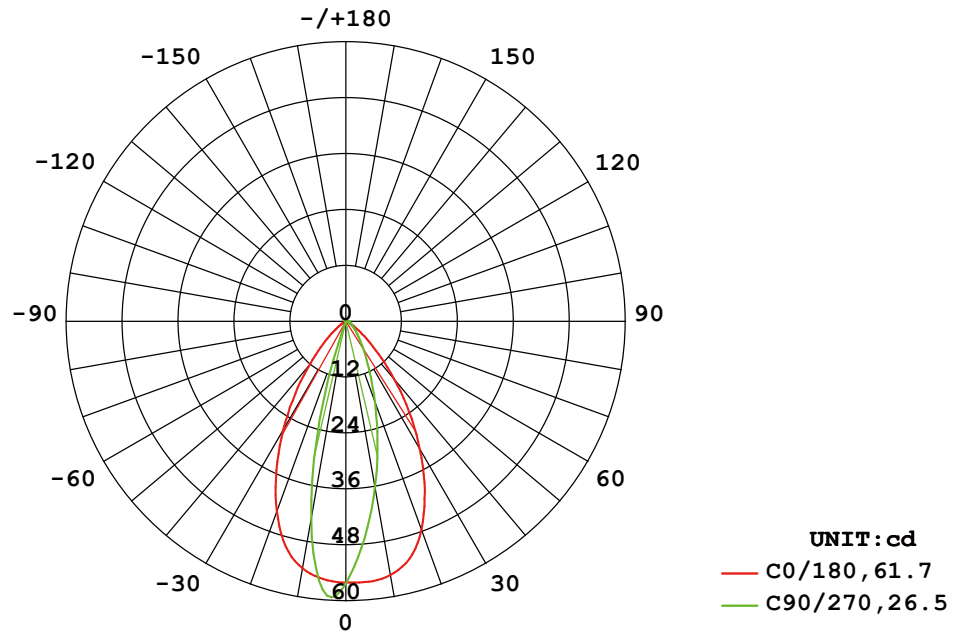


Illuminance at a Distance



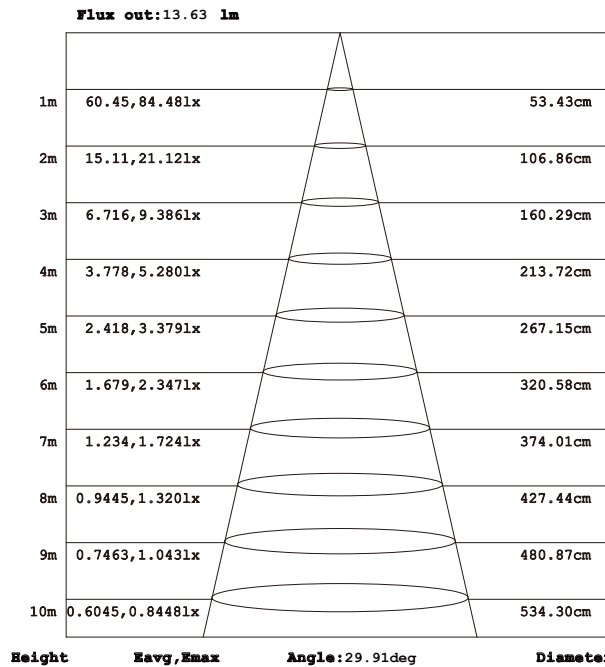
Note: The Curves indicate the illuminated area and the average illumination when the luminaire is at different distance.

LUMINOUS INTENSITY DISTRIBUTION DIAGRAM



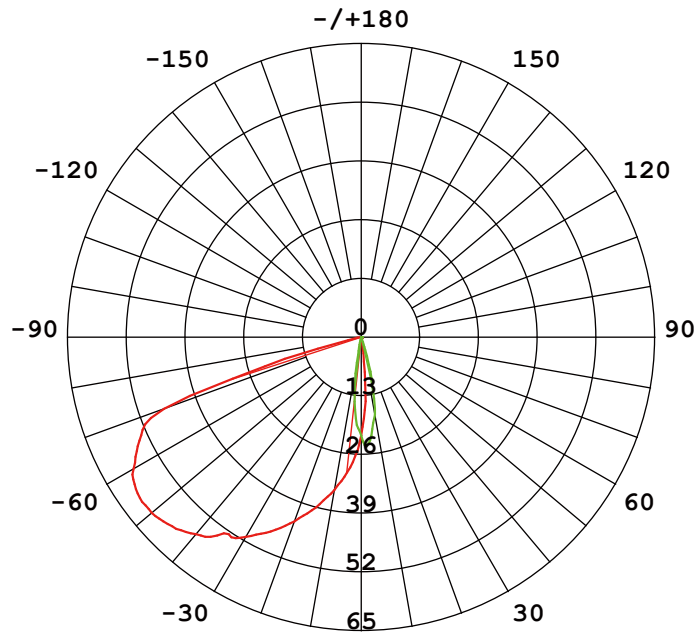
AVERAGE BEAM ANGLE (50%) : 42.8 DEG

Illuminance at a Distance



Note: The Curves indicate the illuminated area and the average illumination when the luminaire is at different distance.

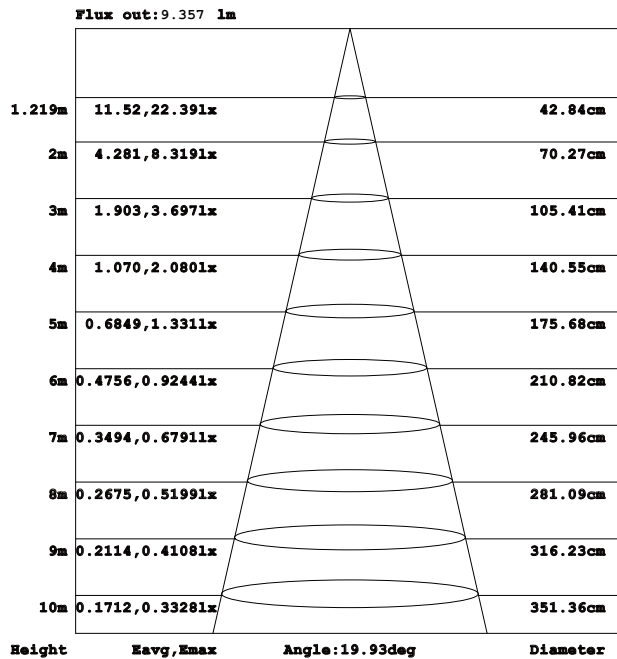
LUMINOUS INTENSITY DISTRIBUTION DIAGRAM



UNIT: cd
 — C0/180, 65.7
 — C90/270, 19.9

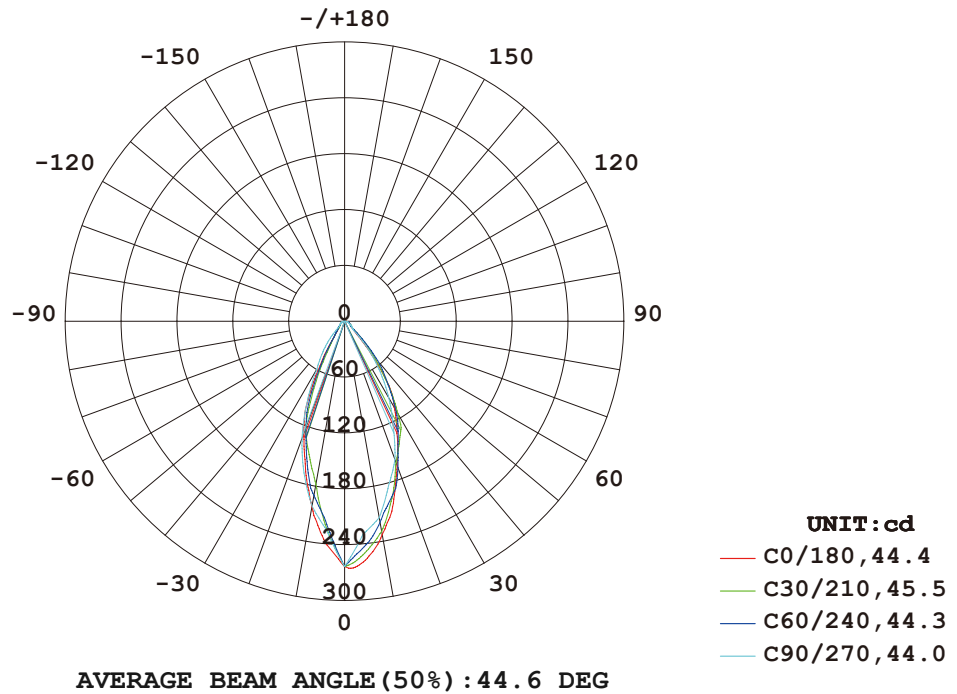
AVERAGE BEAM ANGLE (50%) : 42.6 DEG

Illuminance at a Distance

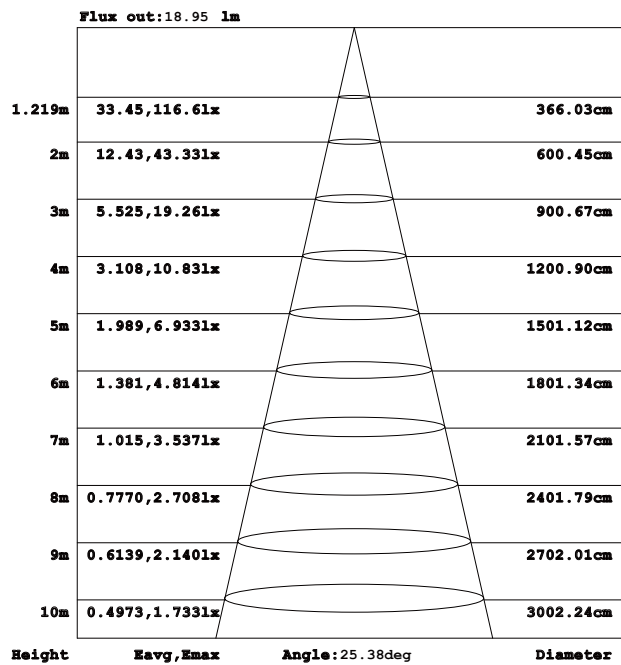


Note: The Curves indicate the illuminated area and the average illumination when the luminaire is at different distance.

LUMINOUS INTENSITY DISTRIBUTION DIAGRAM



Illuminance at a Distance



Note: The Curves indicate the illuminated area and the average illumination when the luminaire is at different distance.

