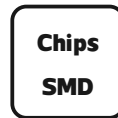
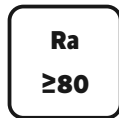


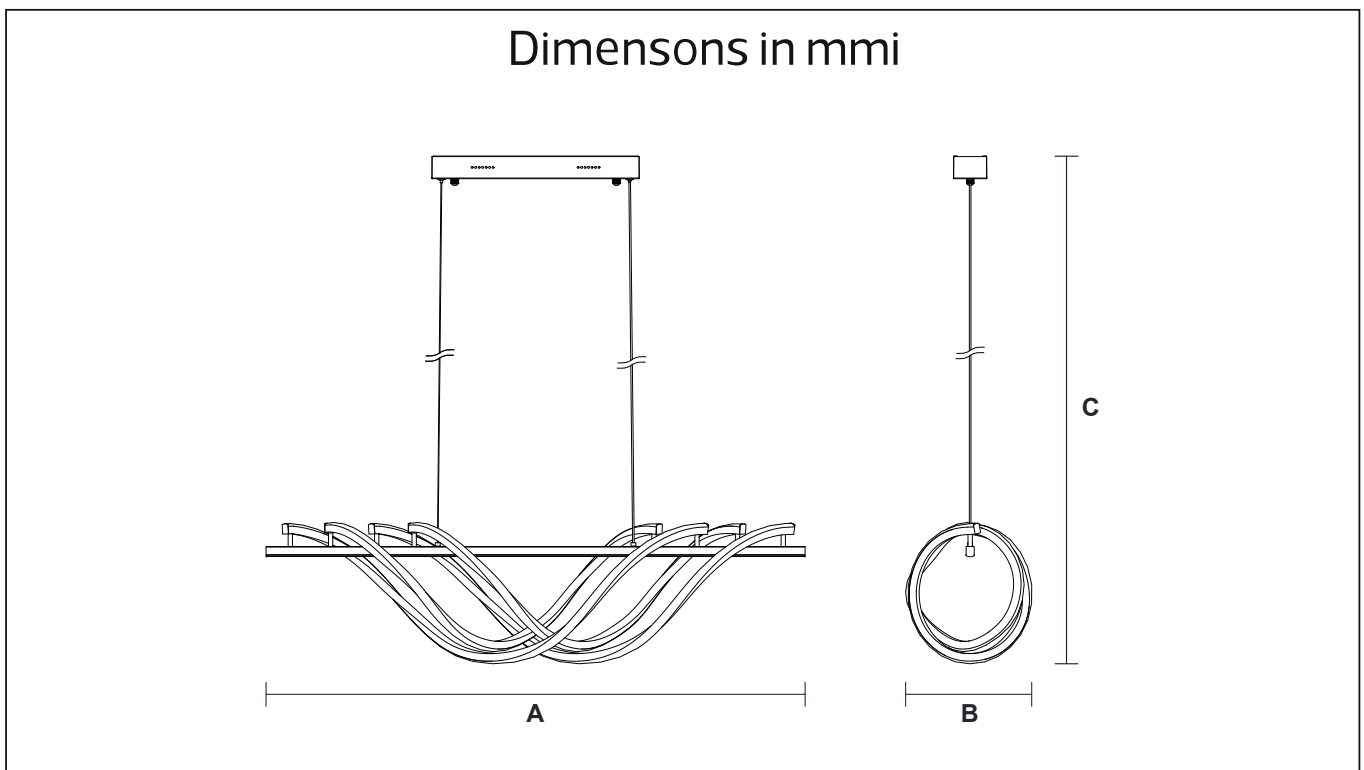
LED Ceiling Lamp

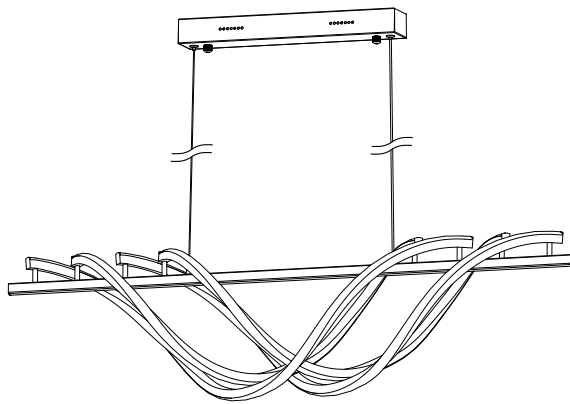
HT9201 Series

IP20



Item Code	P (W)	Output (lm)	CCT(K)	Color	Dimensions in mm			kg
					A	B	C	
HT9201-L1000	30	1500	3000	Copper	1000	235	1600	2.5
HT9201-L1300	30	1500	3000	Copper	1300	235	1600	3.1





Description:
Ceiling Lamp

Main material:
Stainless steel+silica gel

Specification
After multiple processes, anti corrosion and anti rust, smooth and delicate, with good texture, strong and durable. The light transmission is uniform, the warm light effect is soft and not dazzling, washable for cleaning.

IP 20

Applications

- Duplex building
- Stairwells
- lobby

