
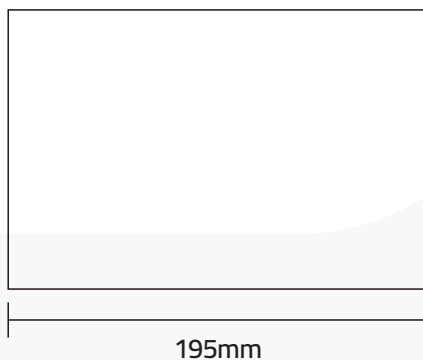


Poe Switch

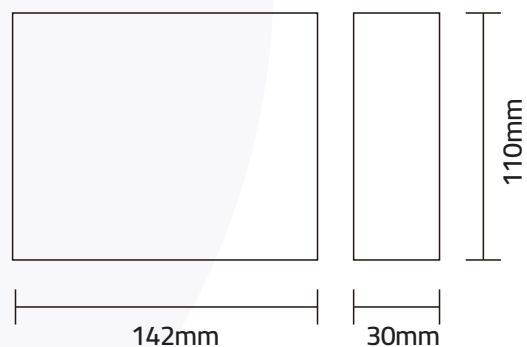


Item Code	PoE Port	Power Supply Pin	Max Power Per Port	Total PWR / Input Voltage	Power Consumption	Power Supply	
HU-PoE-4-BK	Port 1-4	1/2(+) 3/6(-)	30W, IEEE 802.3 af/at	65W/ (AC100-240V)	Standby<3W, Full load<65W	Built-in power supply, AC100~240V 50-60Hz 1.0A	0.6
HU-PoE-8-BK	Port 1-8	1/2(+) 3/6(-)	30W, IEEE 802.3 af/at	100W/ (AC100-240V)	Standby<5W, Full load<100W	Built-in power supply, AC100~240V 50-60Hz 2.0A	0.8

Dimensions in mm



Item Code: HU-PoE-8-BK



Item Code: HU-PoE-4-BK

Download Huem App

1. Search the App "Huem" from Apple Store or Google Play.

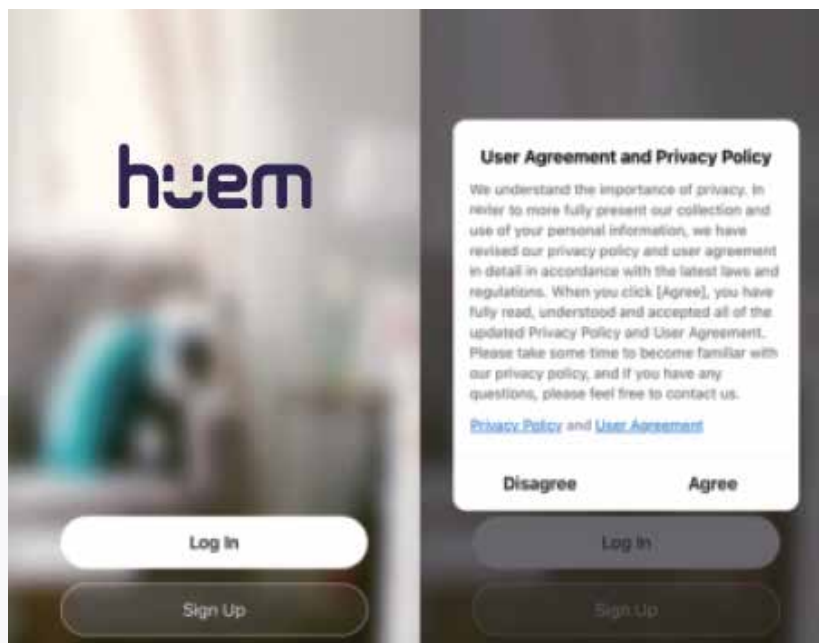


2. Scan the QR code from the label or user manual.



The App is compatible with Android 5.0 and iOS 10.0 and higher version.

Log in / Register App



Overview

HU-PoE-8-BK (8ports) & HU-PoE-4-BK (4ports) are 10/100Mbps unmanaged PoE switches. It has 8*10/100M PoE ports and 2*10/100M uplink RJ45 ports. Port 1-8 can support IEEE 802.3af/at PoE standard. Single-port PoE power up to 30W. As a PoE power supply device, it can automatically detect and recognize the power receiving equipment that meets the standard and supply power through the network cable. It can supply power to POE terminal equipment such as wireless AP, IP camera, VoIP phone, video access control intercom, etc. through network cable to meet the network environment that needs high-density PoE power supply. It is suitable for hotels, campuses, factory quarters and small and medium-sized enterprises to form an economy efficient network. Unmanaged model, plug and play, no configuration, easy to use.

Features

- 10/100Mbps access, Dual RJ 45 port uplink
 - Support non-blocking wire-speed forwarding for smoother transmission.
 - Support IEEE 802.3x full-duplex flow control and Backpressure half-duplex flow control.
 - Provides 10*10/100Base-TX RJ45 ports for flexible networking and meets the networking requirements of various scenarios.
- **Intelligent PoE power supply**
 - IEEE 802.3af/at PoE standard, without damaging non-PoE devices.
 - 8*10/100Base-TX RJ45 ports, meeting the needs of security monitoring, teleconferencing system, wireless coverage, and other scenarios.
 - Priority system for PoE port, it will supply power to the high priority level port first when the power budget is insufficient and avoid overwork of the device.
- **Innovative function**
 - **EXTEND** mode (250m): The speed of ports 1-8 is reduced to 10M when it is turned on, and the existing twisted-pair cable can be used to break through the limit of -100meter transmission of twisted-pair cable, and the maximum transmission distance can reach 250 meters. On the other hand, It can solve the problem of poor transmission caused by line aging.
 - **VLAN** mode: enabled together with the EXTEND mode, port 1-8 are isolated from each other but all communicate with port 9-10, which can prevent DHCP conflicts, optimize port cache utilization, and reduce broadcast storms.
(Note: When the function switch is toggled to 250m mode, the port 1-8 extend transmission and port VLAN isolation function are enabled at the same time.)
- **Stable and reliable, easy to use**
 - CCC, CE, FCC, RoHS.
 - Plug and play, no configuration, simple and convenient.
 - Low power consumption, galvanized steel casing, no fan.
 - The user-friendly panel can show the device status through the LED indicator of PWR, PoE.

Technical Specifications

Model: HU-PoE-8-BK (8 ports)

Interface Characteristics

Fixed Port	8*10/100Base-TX PoE ports (Data/Power) 2*10/100Base-TX uplink RJ45 ports (Data)
Ethernet Port	Port 1-6/1-10 can support 10/100Base-TX auto-sensing, full/half duplex MDI/MDI-X self-adaption
Functional Switch	1*(100m: default 100 meters transmission, 250m: Extend and VLAN transmission mode) Note: when the switch state changes, it must be restarted before the PoE switch function can take effect
Twisted Pair	10BASE-TX: Cat5 or later UTP(≤250 meters)
Transmission	100BASE-TX: Cat5 or later UTP(≤100 meters)

Chip Parameter

Network Management Type	Unmanaged
Network Protocol	IEEE802.3 10BASE-T, IEEE802.3i 10Base-T, IEEE802.3u 100Base-TX IEEE802.3x
Forwarding Mode	Store and Forward(Full Wire Speed)
Switching Capacity	2Gbps (Non-blocking)
Forwarding (Rate@64byte)	1.488Mpps
MAC	2K
Buffer Memory	1.25M
Jumbo Frame	1536byte
LED Indicator	Power:PWR (Green), Network: Link(Yellow), PoE: PoE (Green) Functional switch: EXTEND (Green)

PoE & Power Supply

PoE Port	Port 1-8
Power Supply Pin	1/2(+) 3/6(-)
Max Power Per Port	30W, IEEE 802.3 af/at
Total PWR / Input Voltage	100W/ (AC100~240V)
Power Consumption	Standby<5W, Full load<100W
Power Supply	Built-in power supply, AC100~240V 50-60Hz 2.0A

Physical Parameter

Heat Dissipation	No Fan natural cooling
Operation TEMP/ Humidity	-20~+55°C, 5%~90% RH Non condensing
Storage TEMP/ Humidity	-40~+75°C, 5%~95% RH Non condensing
Dimension (L*W*H)	195*130*40mm
Net /Gross Weight	<0.8kg / <1.2kg
Installation	Desktop, Wall-mounted

Certification & Warranty

Lightning Protection	Lightning protection: 4KV 8/20us, Protection level: IP30
Certification	CCC, CE mark, commercial, CE/LVD EN62368-1, FCC Part 15 Class B, RoHS
Warranty	2 years

Technical Specifications

Model: HU-PoE-4-BK (4 ports)

Interface Characteristics

Fixed Port	4*10/100Base-TX PoE ports (Data/Power) 2*10/100Base-TX uplink RJ45 ports (Data)
Ethernet Port	Port 1-6/1-10 can support 10/100Base-TX auto-sensing, full/half duplex MDI/MDI-X self-adaption
Functional Switch	1*(100m: default 100 meters transmission, 250m: Extend and VLAN transmission mode) Note: when the switch state changes, it must be restarted before the PoE switch function can take effect
Twisted Pair	10BASE-TX: Cat5 or later UTP(≤250 meters)
Transmission	100BASE-TX: Cat5 or later UTP(≤100 meters)

Chip Parameter

Network Management Type	Unmanaged
Network Protocol	IEEE802.3 10BASE-T, IEEE802.3i 10Base-T, IEEE802.3u 100Base-TX IEEE802.3x
Forwarding Mode	Store and Forward(Full Wire Speed)
Switching Capacity	1.6Gbps (Non-blocking)
Forwarding (Rate@64byte)	0.98Mpps
MAC	1K
Buffer Memory	768K
Jumbo Frame	1536byte
LED Indicator	Power:PWR (Green), Network: Link(Yellow), PoE: PoE (Green) Functional switch: EXTEND (Green)

PoE & Power Supply

PoE Port	Port 1-4
Power Supply Pin	1/2(+) 3/6(-)
Max Power Per Port	30W, IEEE 802.3 af/at
Total PWR / Input Voltage	65W/ (AC100-240V)
Power Consumption	Standby<3W, Full load<65W
Power Supply	Built-in power supply, AC100~240V 50-60Hz 1.0A

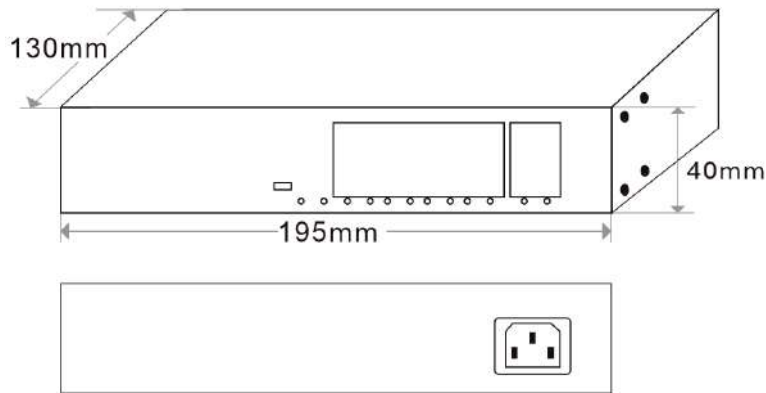
Physical Parameter

Heat Dissipation	No Fan natural cooling
Operation TEMP/ Humidity	-20~+55°C, 5%~90% RH Non condensing
Storage TEMP/ Humidity	-40~+75°C, 5%~95% RH Non condensing
Dimension (L*W*H)	142*115*40mm
Net /Gross Weight	<0.6kg / <1.0kg
Installation	Desktop, Wall-mounted

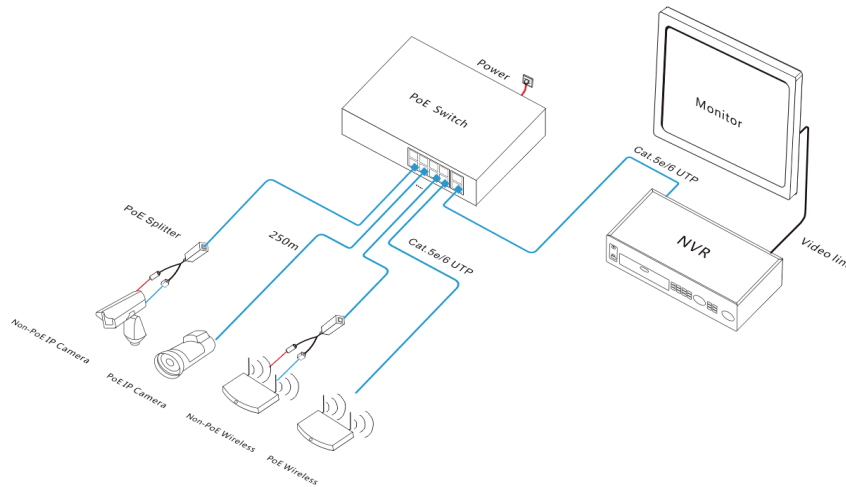
Certification & Warranty

Lightning Protection	Lightning protection: 4KV 8/20us, Protection level: IP30
Certification	CCC, CE mark, commercial, CE/LVD EN62368-1, FCC Part 15 Class B, RoHS
Warranty	2 years

Dimensions



Application



Ordering Information

Model	Description	Supply
HU-PoE-8-BK (8 ports)	Unmanaged PoE Switch with 8*10/100M RJ45 ports and 2*10/100M uplink RJ45 ports. Port 1-8 support IEEE 802.3 af/at PoE standard. Adjust the functional switch, can realize 1-8 ports VLAN isolation and 10M/250 meters transmission. Built-in power supply.	100W/52V

Note: Default wall-mounted installation does not include hanging ears. If you need them, you must buy them separately!

Model	Description	Supply
HU-PoE-4-BK (4 ports)	Unmanaged PoE Switch with 4*10/100M RJ45 ports and 2*10/100M uplink RJ45 ports. Port 1-4 support IEEE 802.3 af/at PoE standard. Adjust the functional switch, can realize 1-4 ports VLAN isolation and 10M/250 meters transmission. Built-in power supply.	65W/52V

Note: Default wall-mounted installation does not include hanging ears. If you need them, you must buy them separately!