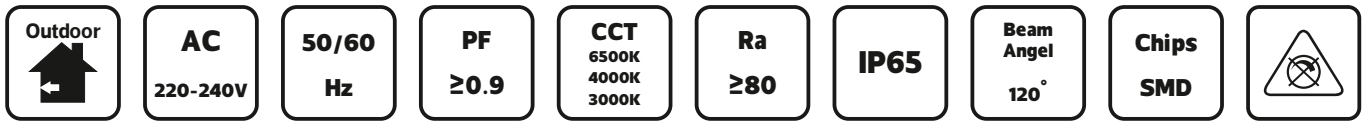
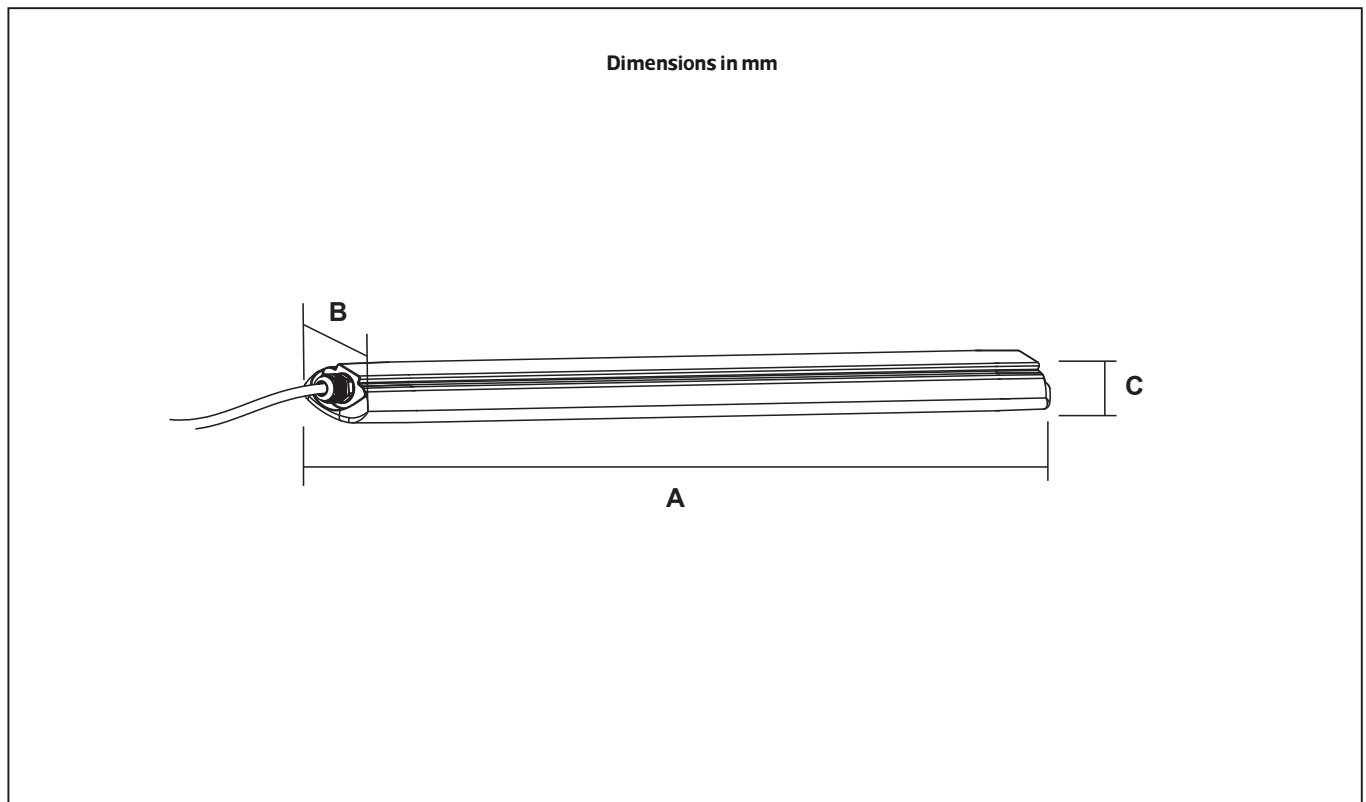


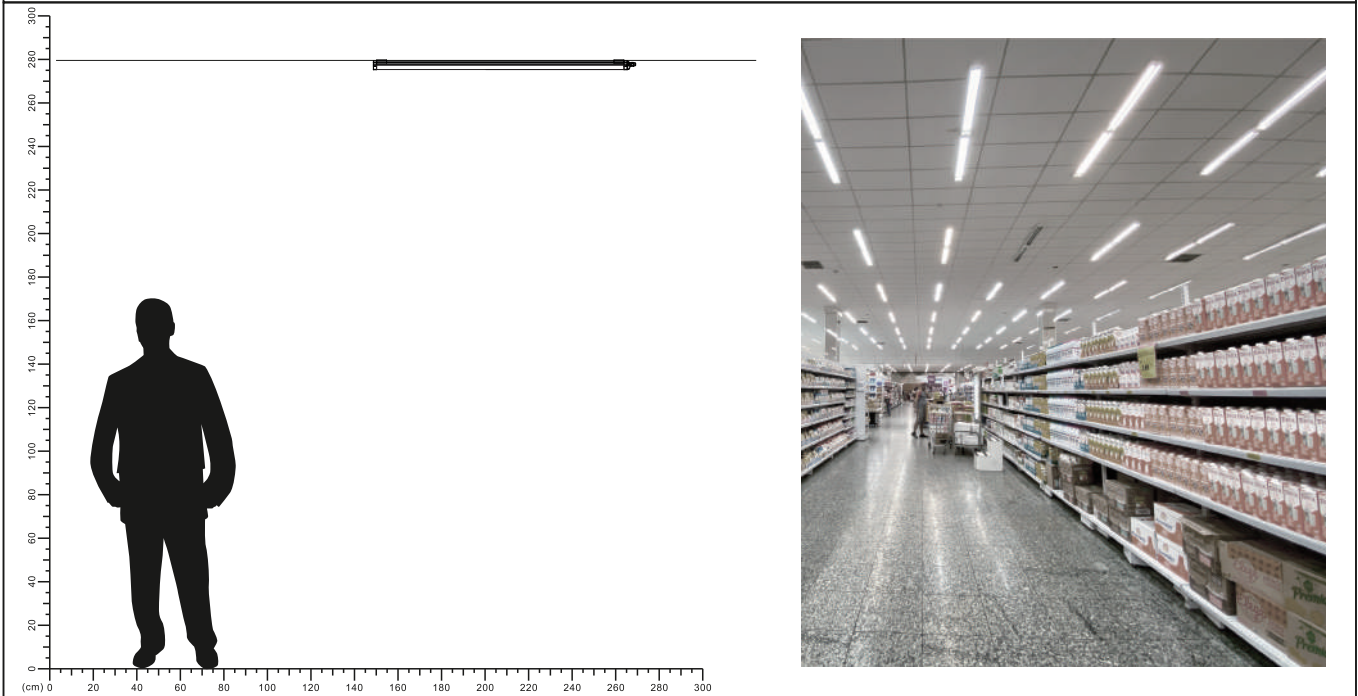
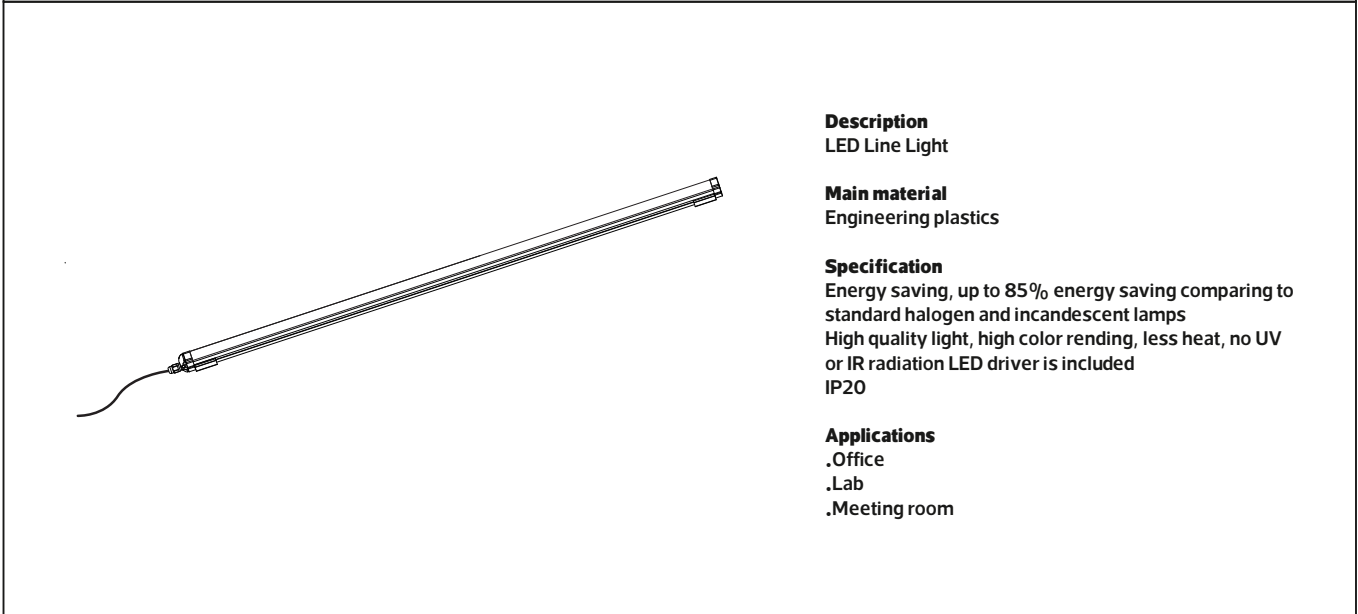
HV-1.2M-24 Series

LED Line Light

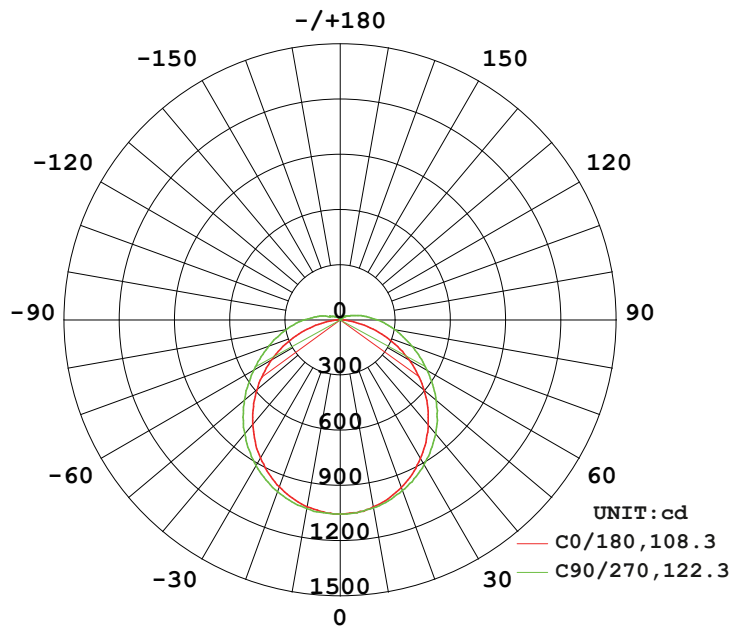


Item Code	P (W)	CCT(K)	Beam angle	Output (lm)	lm/w	Dimensions in mm			kg
						A	B	C	
HV-1.2M-24	24	3000/4000/6500	120°	1920	80	1200	67	45	0.51
HV-1.2M-36	36	3000/4000/6500	120°	2664	74	1200	67	45	0.55



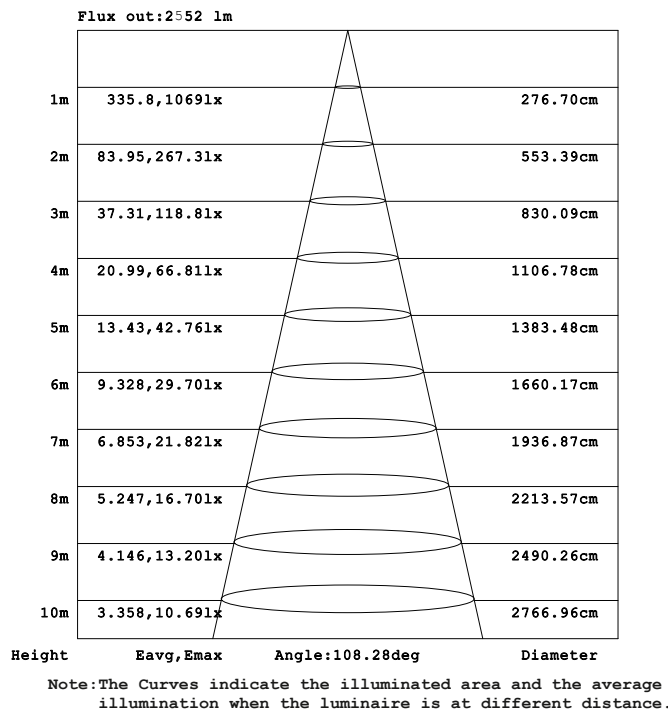


LUMINOUS INTENSITY DISTRIBUTION DIAGRAM



AVERAGE BEAM ANGLE (50%) : 115.3 DEG

Illuminance at a Distance



Model:HV-1.2M-36

