

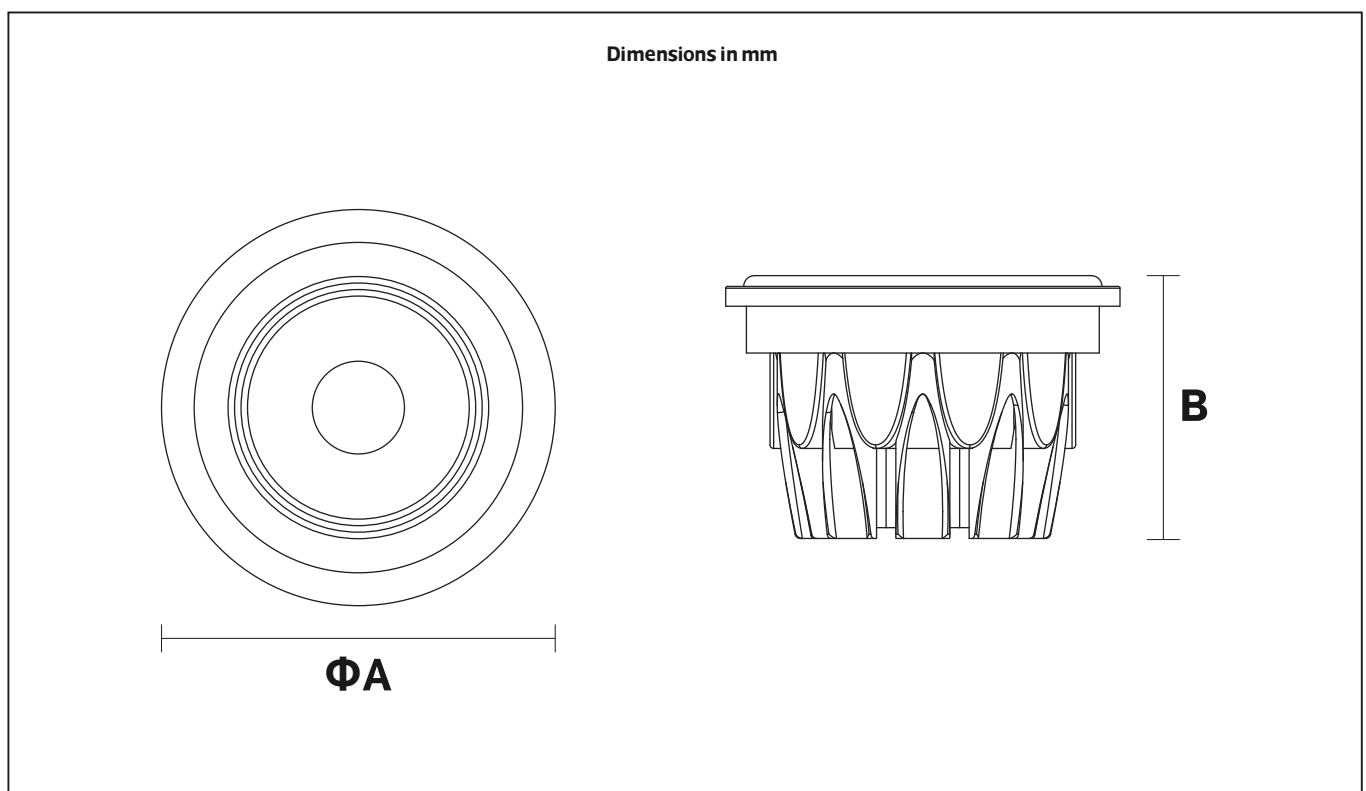
HV-AR111-15 Series

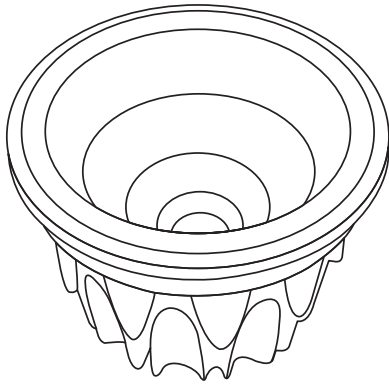
LED Downlight



Indoor 	AC 220-240V	50/60 Hz	PF ≥0.8	CCT 6500K 4000K 3000K	Ra ≥80	IP20	Beam Angel 24°	Chips COB	
-------------------	-----------------------	--------------------	-------------------	---------------------------------------	------------------	-------------	--------------------------	---------------------	--

Item Code	P (W)	CCT(K)	Beam angle	Output (lm)	lm/w	A	B	kg
HV-AR111-15 WW	15	3000	24°	1200	80	Φ111	80	0.33
HV-AR111-15 DW	15	4000	24°	1200	80	Φ111	80	0.33
HV-AR111-15 W	15	6500	24°	1200	80	Φ111	80	0.33



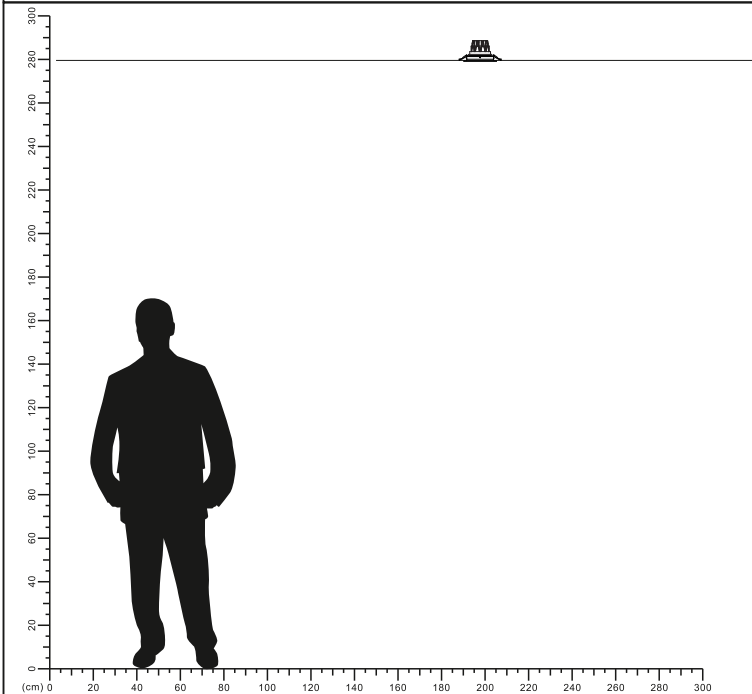


Description
LED AR111 Downlight

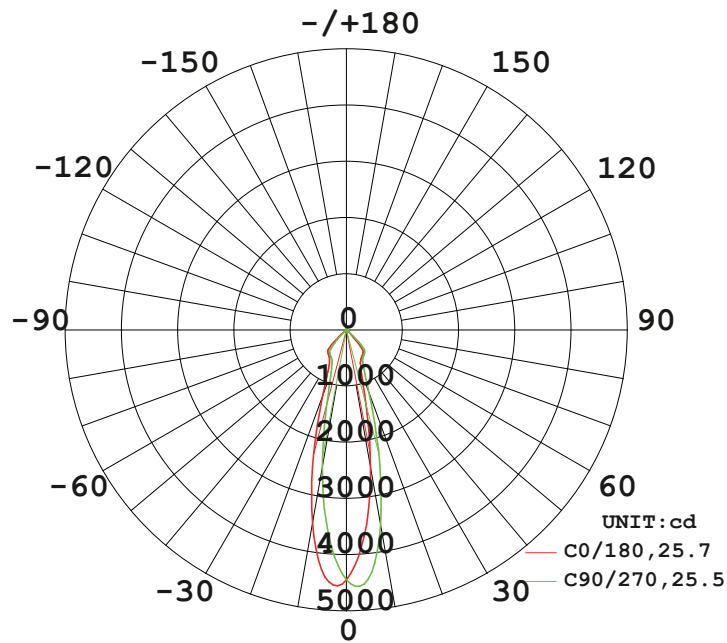
Main material
Die-cast aluminum+Engineering plastics

Specification
Energy saving, up to 85% energy saving comparing to standard halogen and incandescent lamps
High quality light, high color rendering, less heat, no UV or IR radiation LED driver is included
IP20

Applications
.Shoping mall
.Office building
.exhibition



LUMINOUS INTENSITY DISTRIBUTION DIAGRAM



AVERAGE BEAM ANGLE (50%) : 25.6 DEG

Illuminance at a Distance

