

HV-SL101-6 W Series

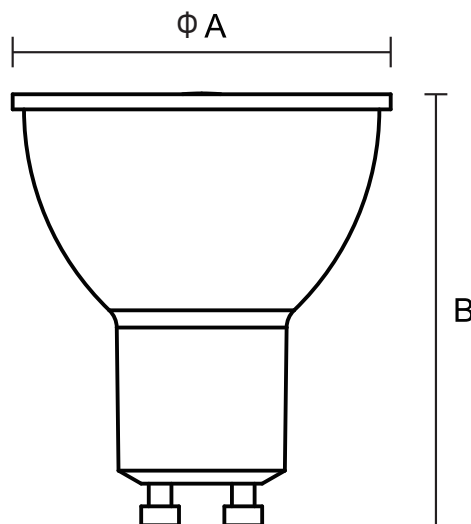
LED Gu10 Lamp Cup



Indoor 	SocKet GU10	AC 100-240V	50/60 Hz	PF ≥0.5	CCT 6500K 4000K 3000K	Ra ≥80	IP20	Beam Angel 60°	Chips SMD	
-------------------	------------------------------	-----------------------	--------------------	-------------------	---------------------------------------	------------------	-------------	--------------------------	----------------------------	--

Item Code	P (W)	CCT(K)	Beam angle	Output (lm)	lm/w	Dimensions in mm A B		kg
HV SL101-6-WW	6	3000	60°	550	91	50	58	0.03
HV SL101-6-DW	6	4000	60°	550	91	50	58	0.03
HV SL101-6-W	6	6500	60°	550	91	50	58	0.03

Dimensions in mm





High quality plastic coated aluminum material



High quality flame retardant material

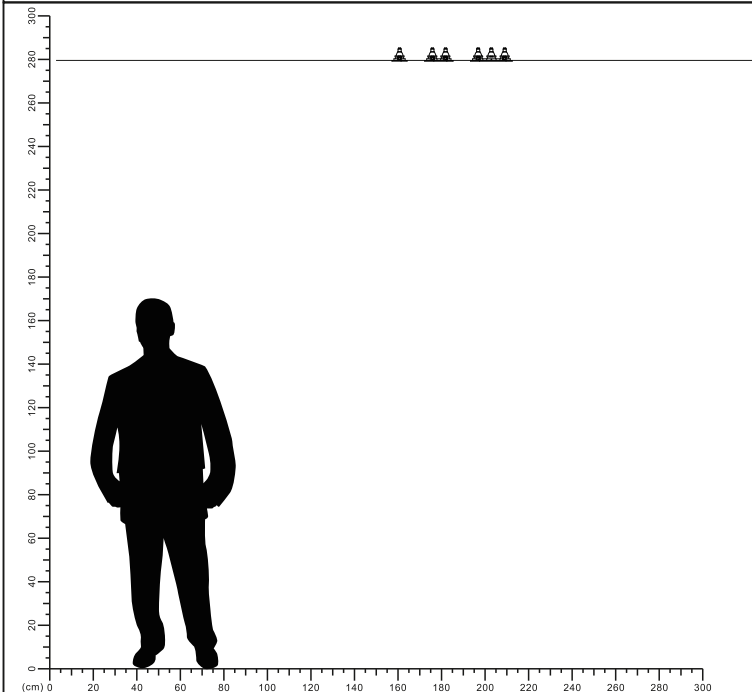


Description:
LED GU10 LAMP CUP

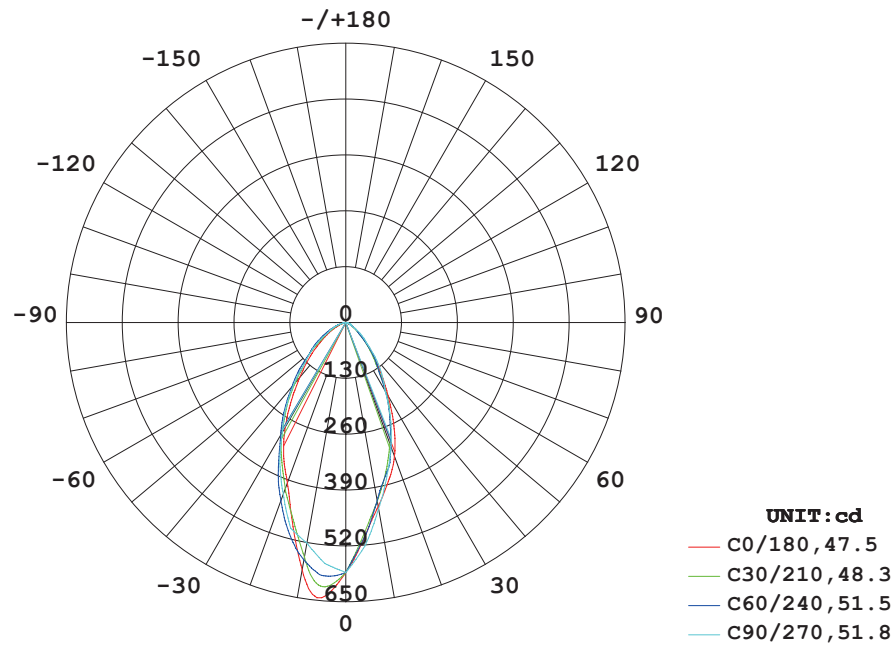
Main material:
Engineering plastics+Aluminum

Specification
Energy saving, up to 85% energy saving comparing to standard halogen and incandescent lamps
High quality light, high color rendering, less heat, no UV or IR radiation
Build-in LED Driver
IP20

Applications
.Shoping mall
.Hotels
.Exhibition hall
.Art hall
.Museums

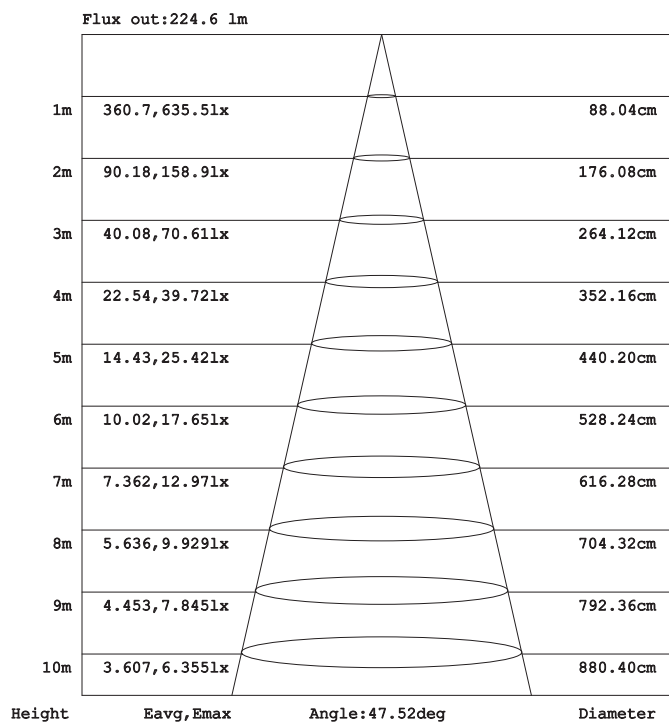


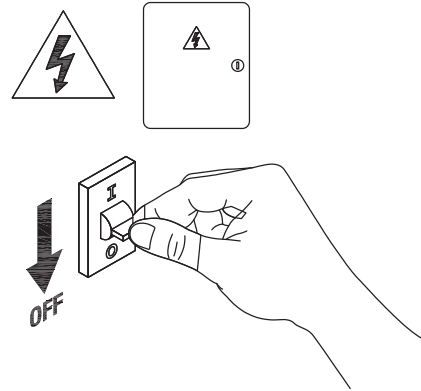
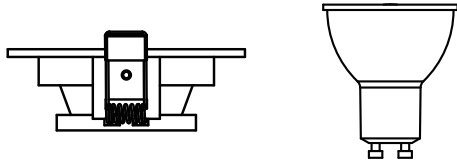
LUMINOUS INTENSITY DISTRIBUTION DIAGRAM



AVERAGE BEAM ANGLE (50%) : 49.8 DEG

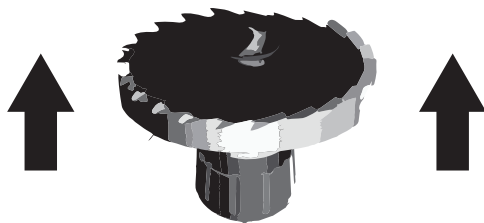
Illuminance at a Distance





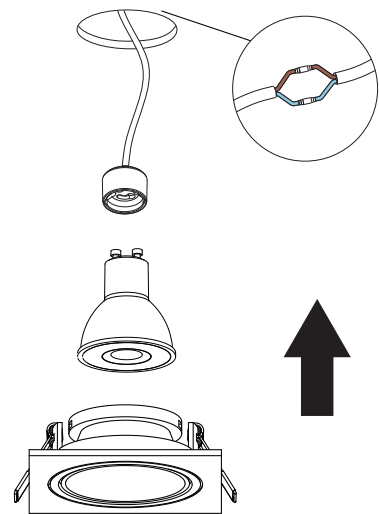
1

Turn off The Power



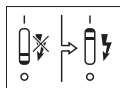
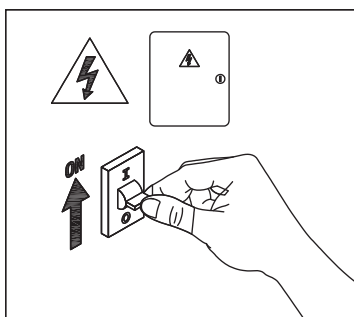
2

Cut a hole on your ceiling



3

Install lamps and wiring



4

Turn on the power

