

Lamp Accessories

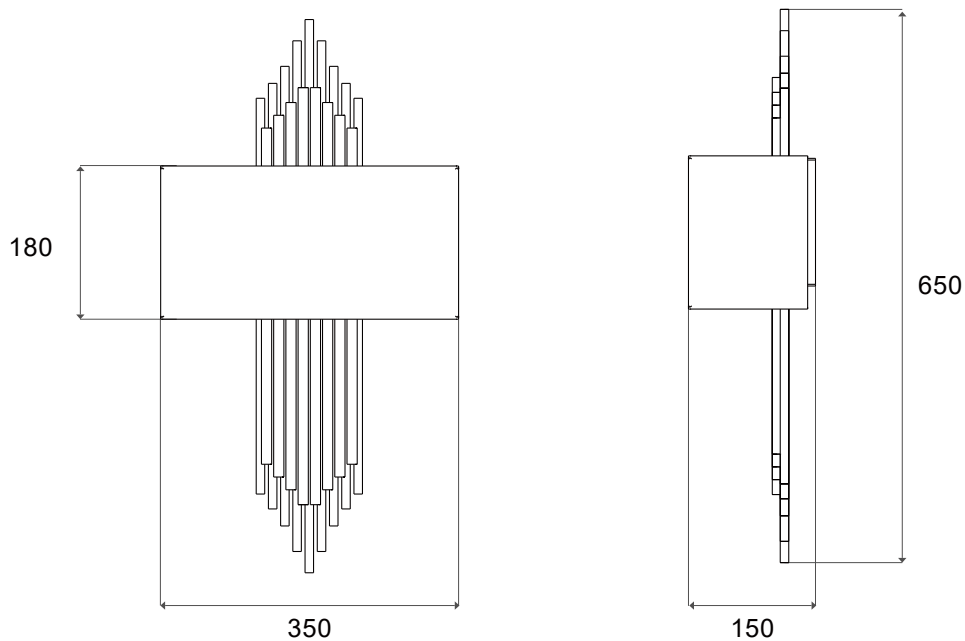
LH-88026 Series

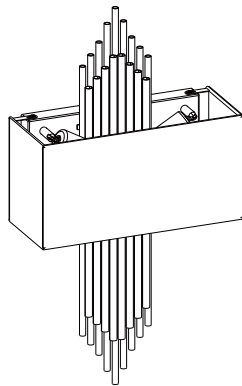
IP20



Item Code	Cap Type	Color	kg
LH-88026-Gold+Black	E27*2(Max Size:55mm)	Gold+Black	4.23
LH-88026-Gold+White	E27*2(Max Size:55mm)	Gold+White	4.23

Dimensions in mm



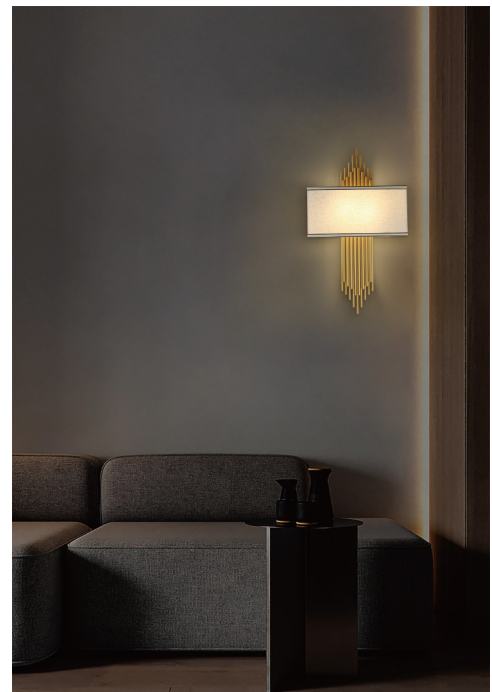
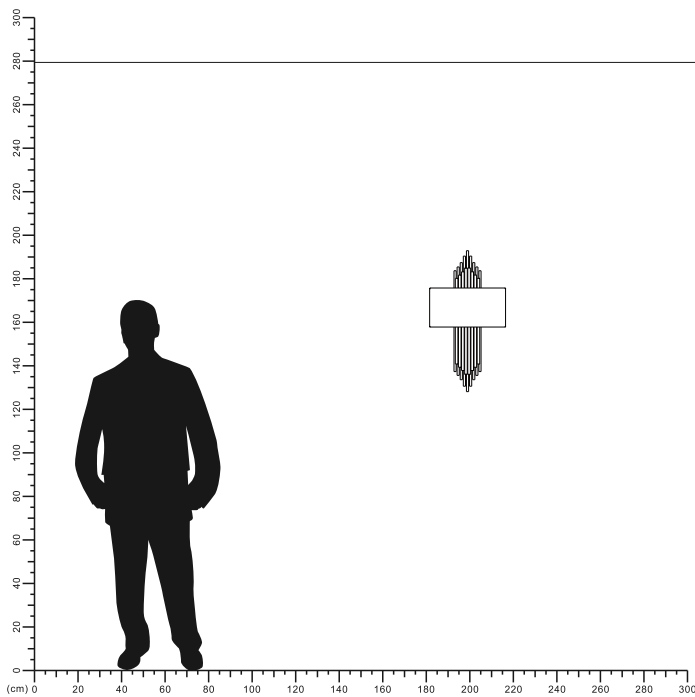


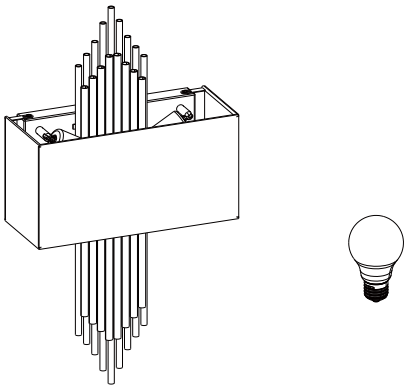
Description:
Lamp Accessories

Main material:
Iron+cloth

Specification
Spray painting can enhance the surface hardness and wear resistance of the lamp body, provide resistance against oxidation and corrosion, and make the surface smoother.
IP 20

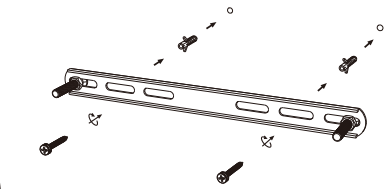
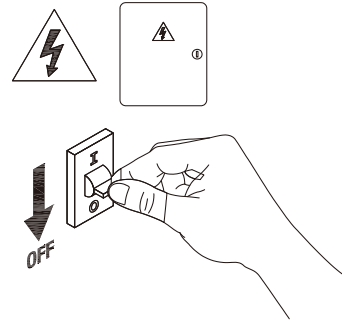
Applications
. Villas
. Room
.Communities





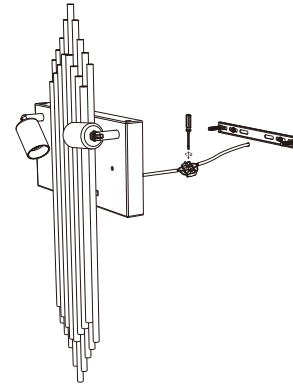
1

Turn off the power



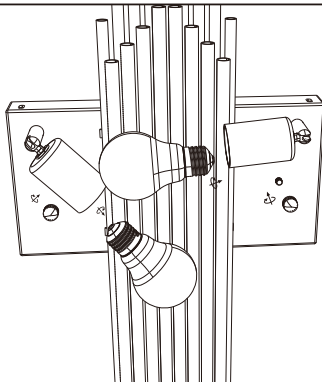
2

Drill two screw holes on the wall and installing the base plate on the wall



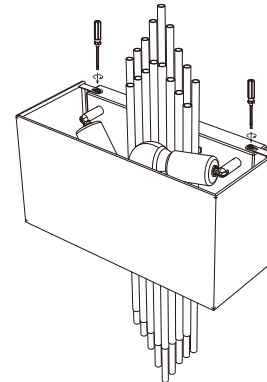
3

Connect cable



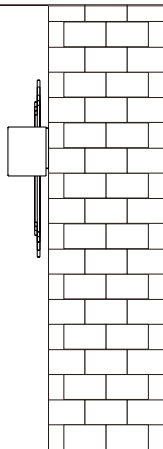
4

Installing an E27 light bulb and lamp body



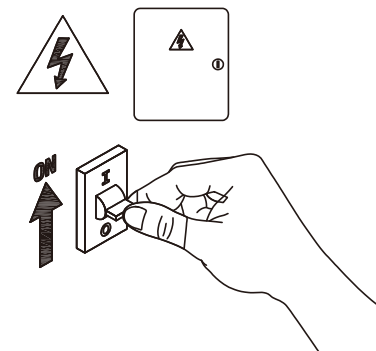
5

Installing the lampshade



6

Installation is complete



7

Turn on power

