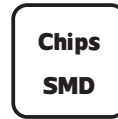
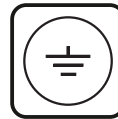
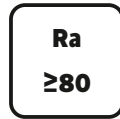


## LED Wall Lamp

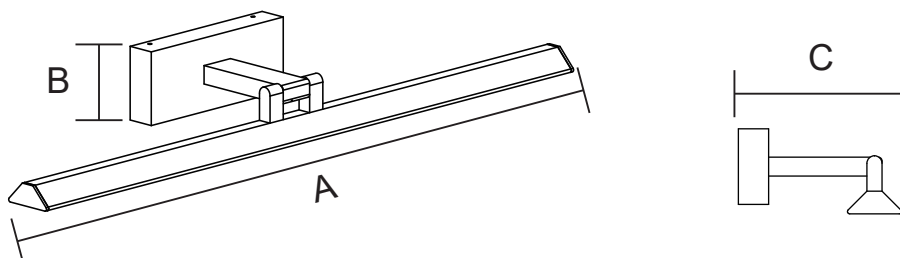
MB3591 Series

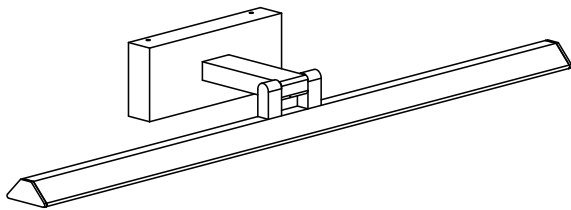
IP20



Item Code	P(W)	CCT(K)	Beam Angle	Total Lumen	Color	Dimensions in mm			kg
						A	B	C	
MB3591-40	8	3000	120°	400	black/white	40	5	18	0.42
MB3591-60	12	3000	120°	650	black/white	60	5	18	0.48
MB3591-80	16	3000	120°	950	black/white	80	5	18	0.55
MB3591-100	20	3000	120°	1150	black/white	100	5	18	0.61

### Dimensions in mm



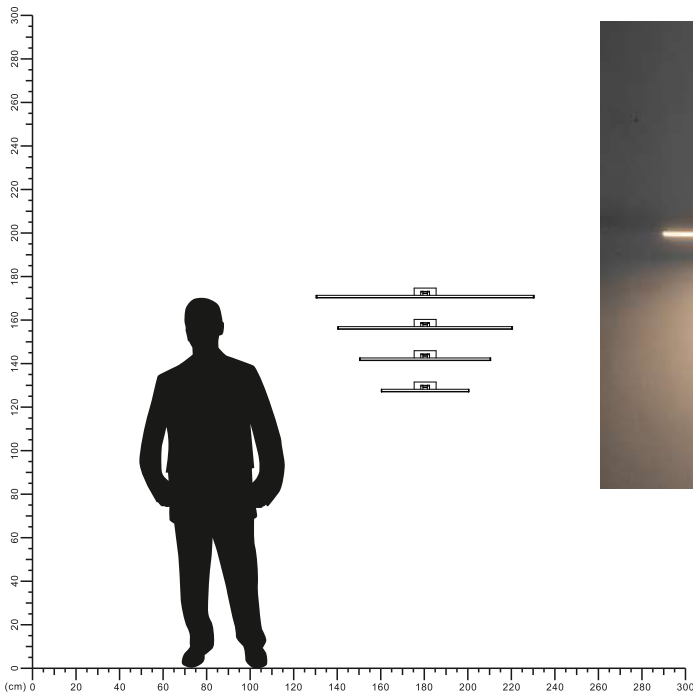


**Description:**  
LED Wall Lamp

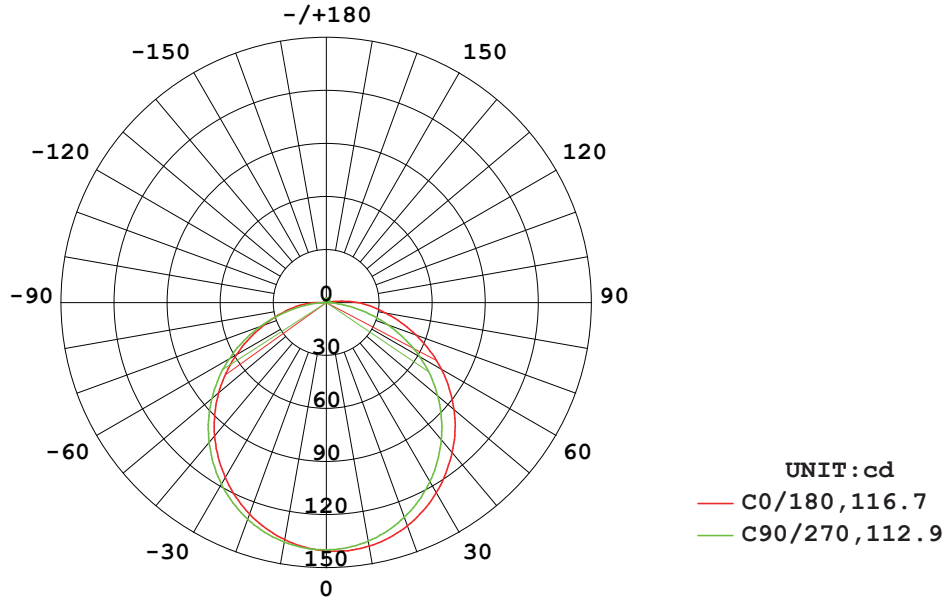
**Main material:**  
Die-cast aluminum

**Specification**  
Energy saving, up to 85% energy saving comparing to standard halogen and incandescent lamps High quality light, high color rendering, less heat, no UV or IR radiation  
LED driver is included  
IP 20

**Applications**  
. Mirror light

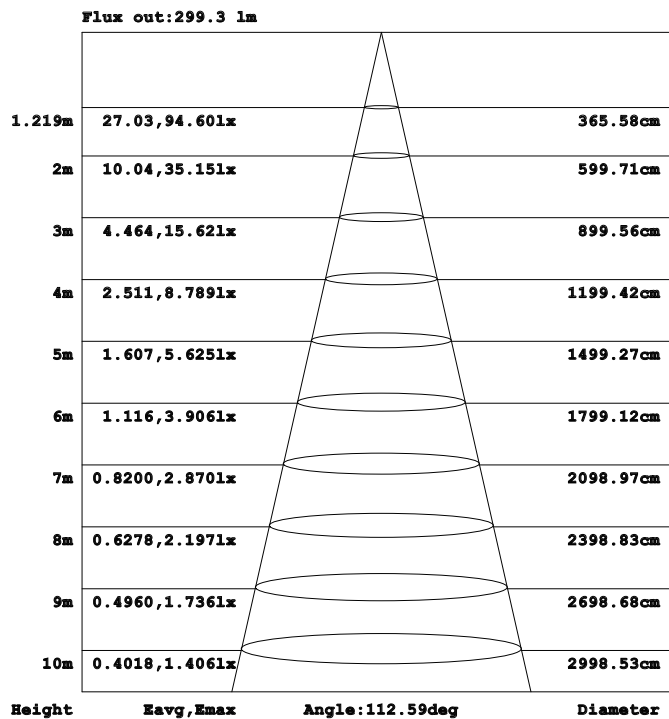


# LUMINOUS INTENSITY DISTRIBUTION DIAGRAM



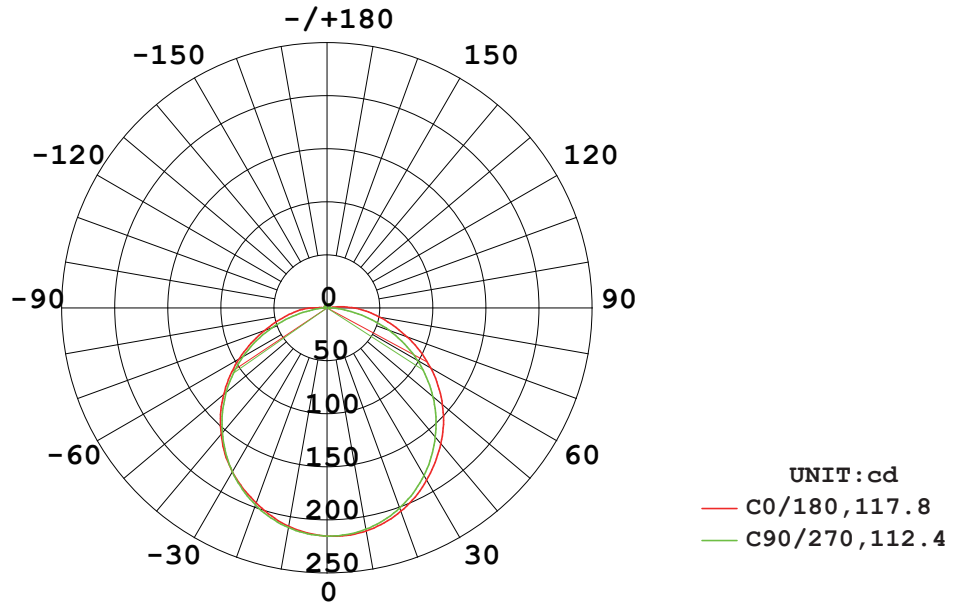
**AVERAGE BEAM ANGLE (50%) : 114.8 DEG**

## Illuminance at a Distance



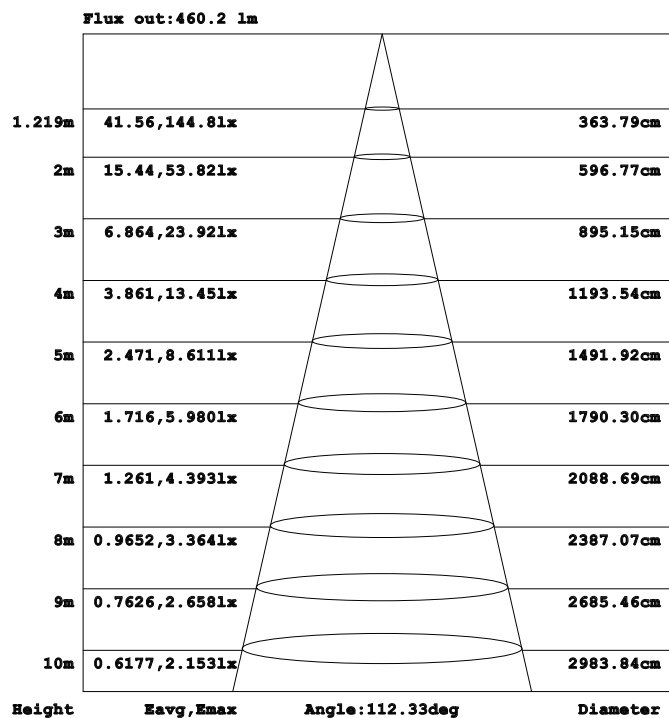
Model: MB3591-40

# LUMINOUS INTENSITY DISTRIBUTION DIAGRAM



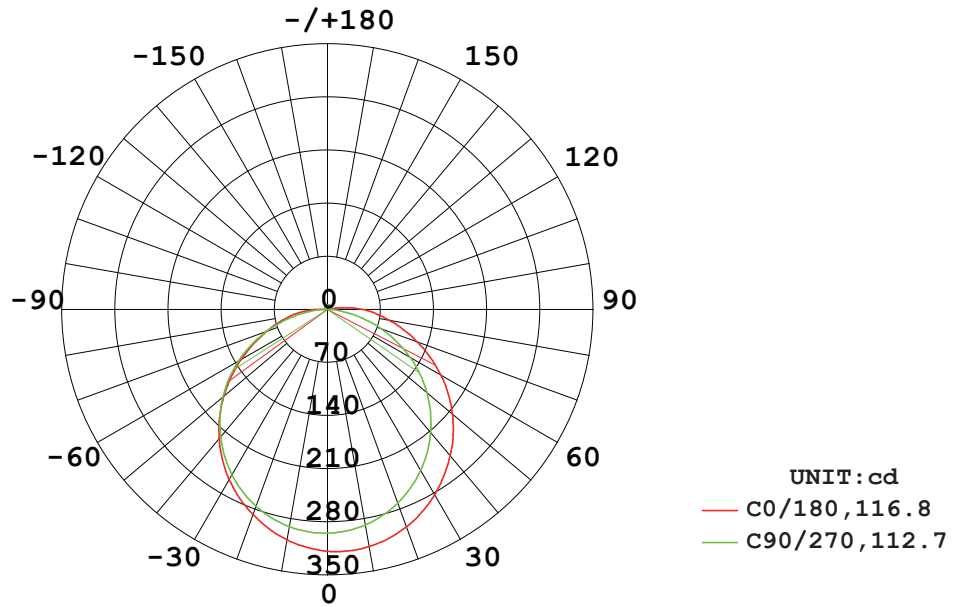
**AVERAGE BEAM ANGLE (50%) : 115.1 DEG**

## Illuminance at a Distance



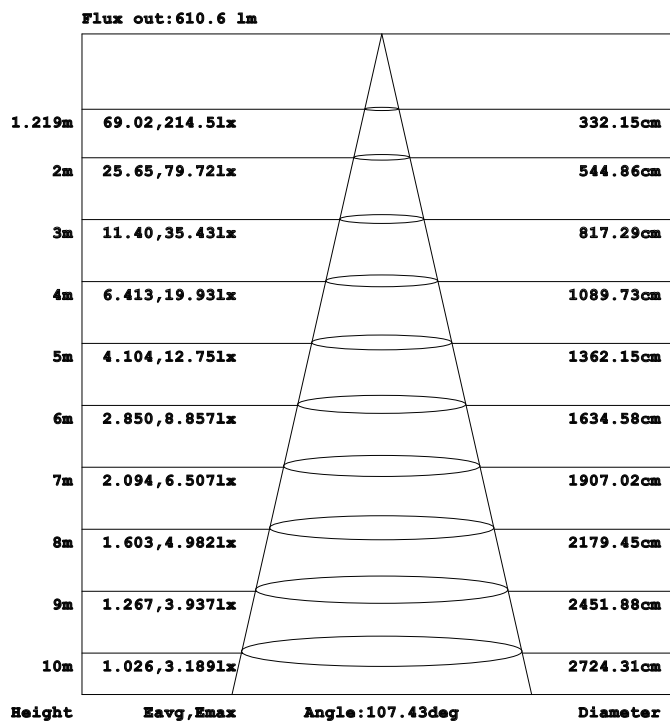
Model: MB3591-60

# LUMINOUS INTENSITY DISTRIBUTION DIAGRAM



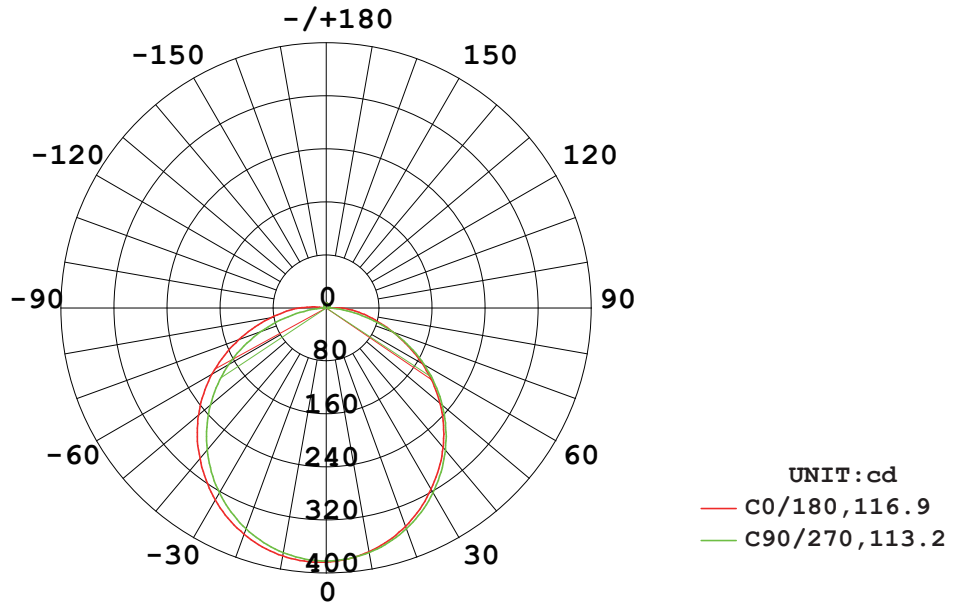
**AVERAGE BEAM ANGLE (50%) : 114.7 DEG**

## Illuminance at a Distance



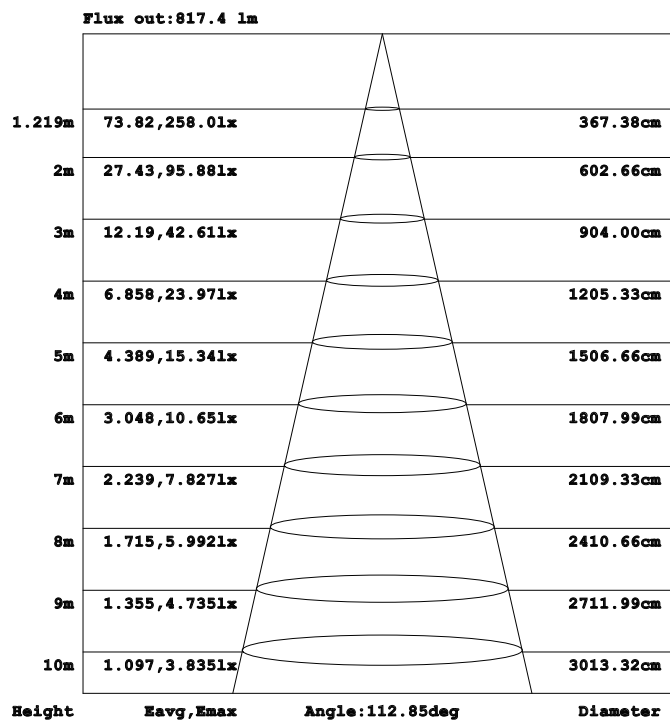
Model: MB3591-80

# LUMINOUS INTENSITY DISTRIBUTION DIAGRAM

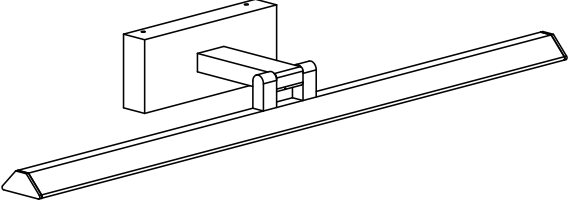
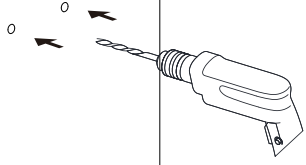
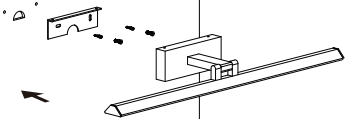
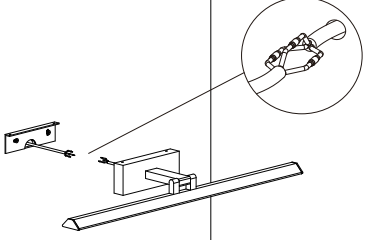
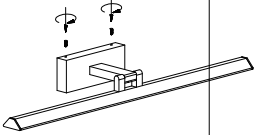
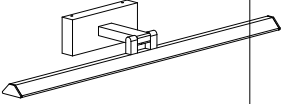


**AVERAGE BEAM ANGLE (50%) : 115.0 DEG**

## Illuminance at a Distance



Model: MB3591-100

			
<p><b>1</b></p>		<p><b>2</b></p>	<p>Drill two screw holes on the wall</p>
<p><b>3</b></p>		<p><b>4</b></p>	
	<p>Fixing ceiling screw</p>		<p>Connect the cable</p>
		<p><b>6</b></p>	
	<p>Fixing screw</p>		<p>Installation is complete</p>

