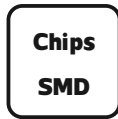
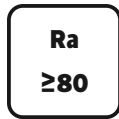


LED Indoor Wall Lamp

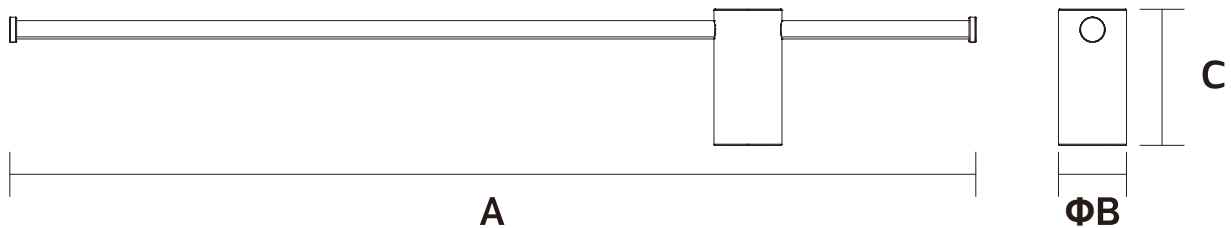
MB3615 Series

IP20



Item Code	P (W)	CCT(K)	Output (lm)	lm/w	Dimensions in mm			kg
					A	B	C	
MB3615-80	5	3000	60	12	800	Φ60	120	0.51
MB3615-100	5	3000	60	12	1000	Φ60	120	0.80

Dimensions in mm



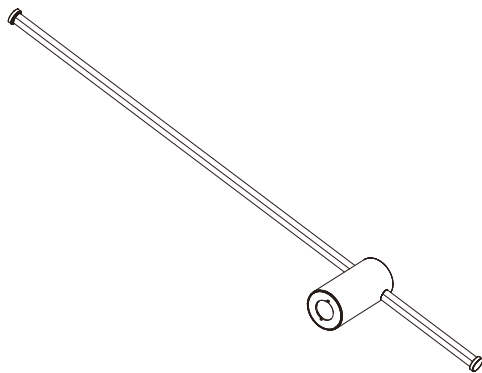
Charging tips:



● Red light means it's being charged



● Green light means charge is finished.

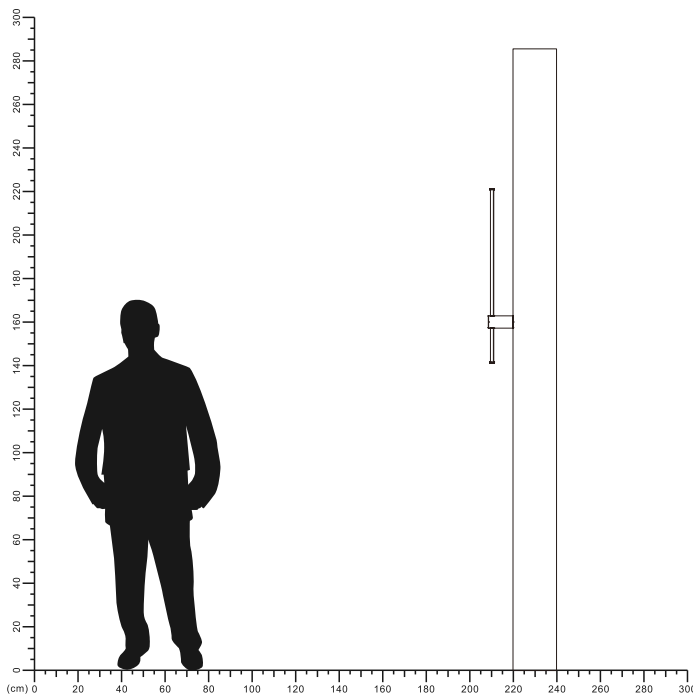


Description:
LED Indoor Wall Lamp

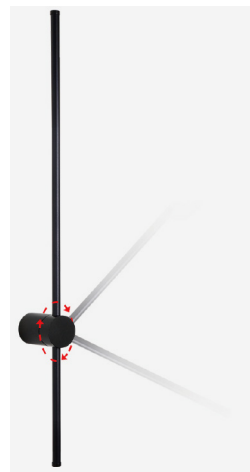
Main material:
Aluminum+Engineering plastics

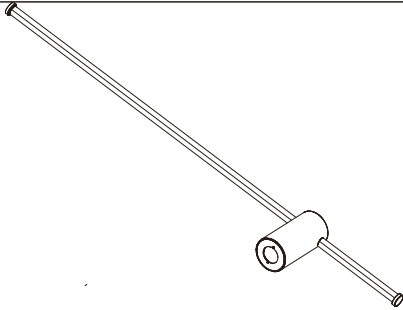
Specification
Energy saving, up to 85% energy saving comparing to standard halogen and incandescent lamps
High quality light, high color rendering, less heat, no UV or IR radiation
Build-in LED Driver
IP20

Applications
. Bedroom
. Living room
. Corridor

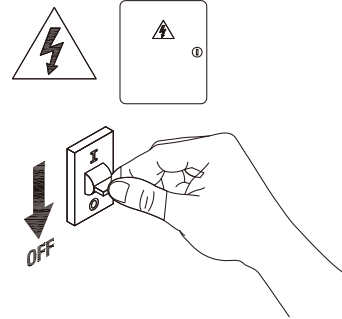


Loosen the screw with the help of a tool and then adjust the Angle you want



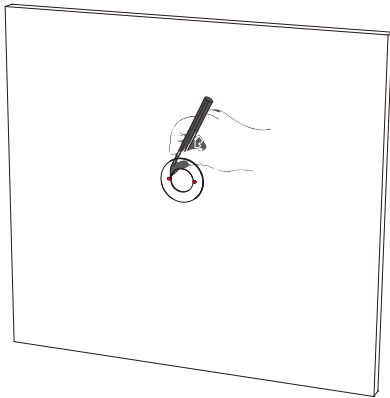


1



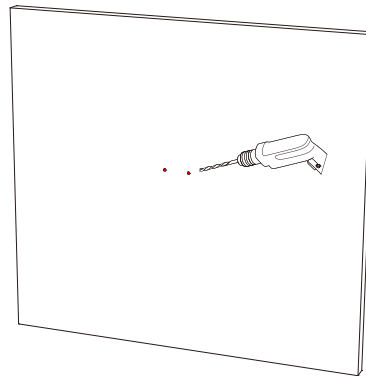
2

Turn off the power



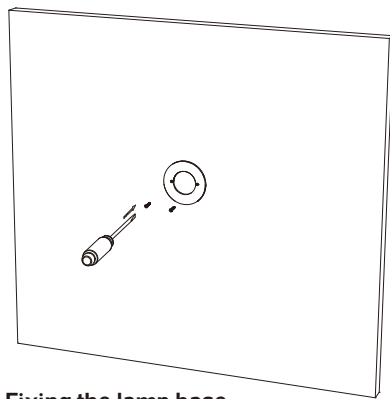
3

Mark the wall where the hole needs to be drilled.



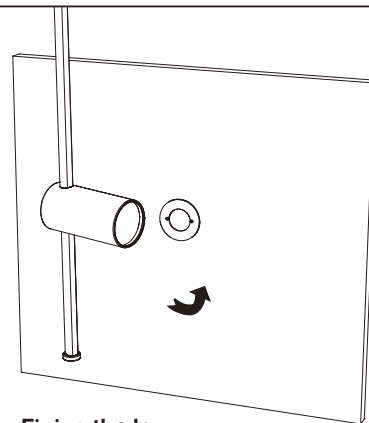
4

Drill 2 holes on your wall.



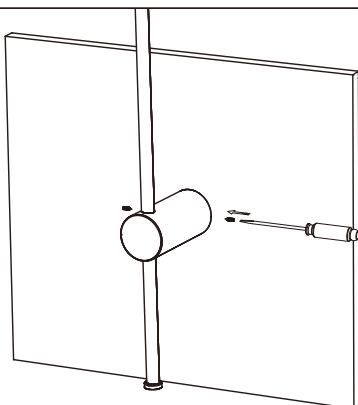
5

Fixing the lamp base.



6

Fixing the lamp.



7

Fixing the lamp.

8

