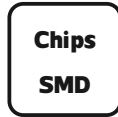
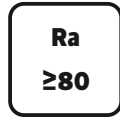


LED Ceiling Lamp

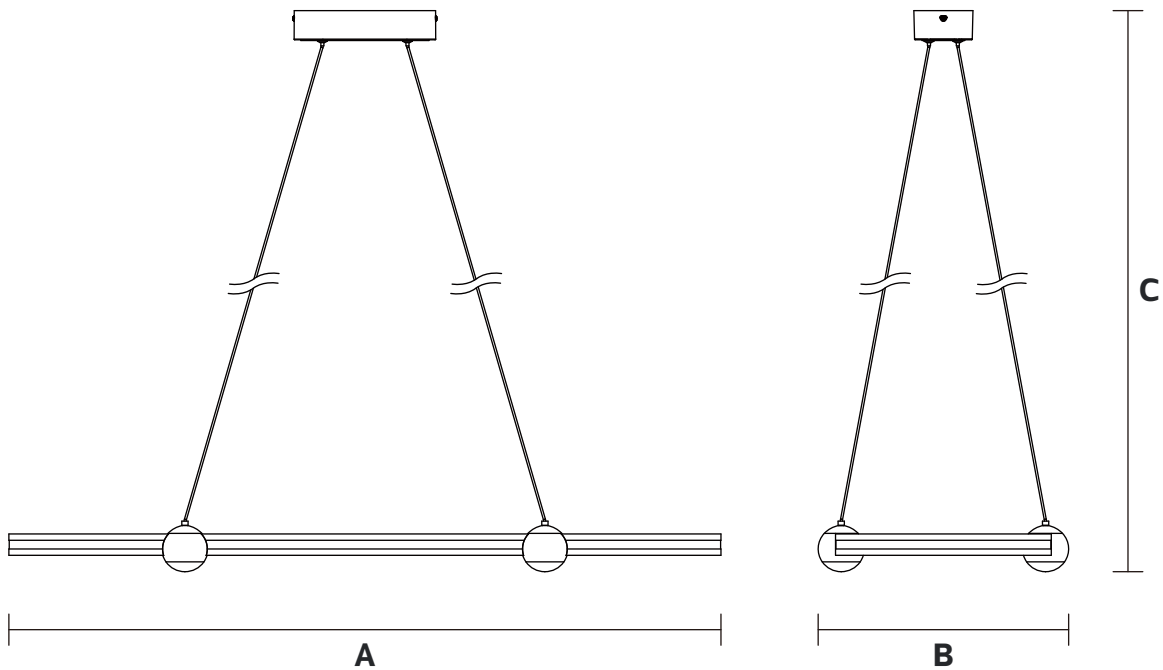
MD2983-L100

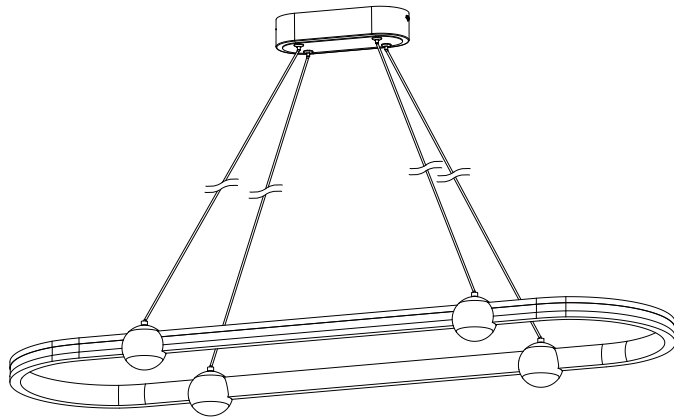
IP20



Item Code	P (W)	CCT(K)	Color	Beam angle	Output (lm)	lm/w	Dimensions in mm			kg
							A	B	C	
MD2983-L100	52	3000	Black+Gold	120°	3120	60	1000	352	1300	2

Dimensions in mm





Description:
LED Ceiling Lamp

Main material:
Aluminum+silica gel+acrylic

Specification

Made of high quality aluminum material and processed with light oxidation on the surface, it is textured, corrosion resistant, and durable. Using high quality silicone, built in high brightness energy saving LED light source, light transmission is uniform and natural, soft and warm. High temperature resistant acrylic lampshade, soft light natural not dazzling, providing you with a comfortable quality of life.

IP 20

Applications

- . Bedroom
- . restaurant
- . living room

