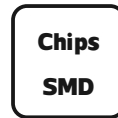
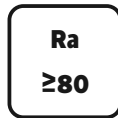


LED Ceiling Lamp

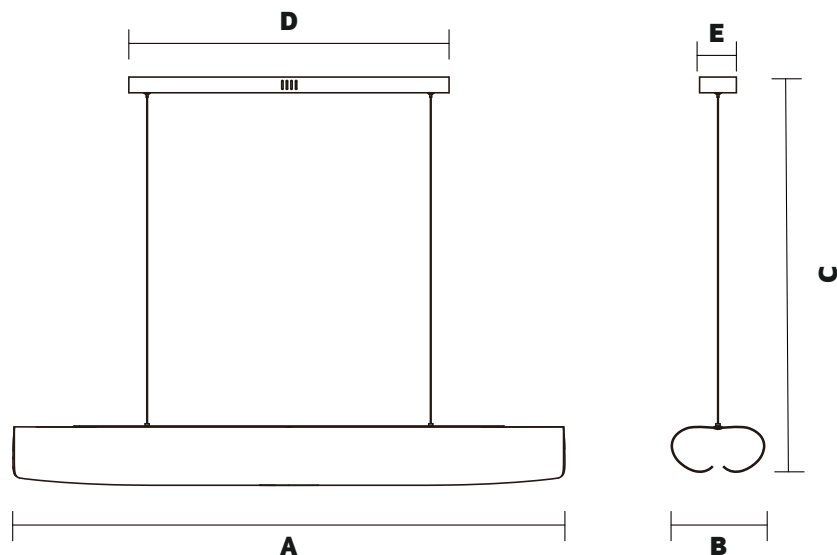
ME2034B-GD

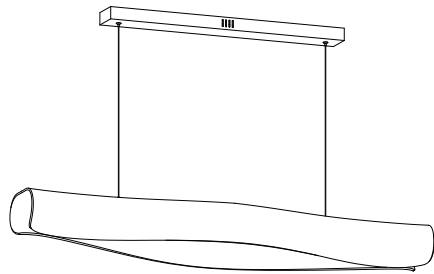
IP20



Item Code	P (W)	CCT (K)	PF	Dimensions in mm					kg
				A	B	C	D	E	
ME2034B-GD	36	3000	≥0.9	1200	300	1000	660	80	5.16

Dimensions in mm



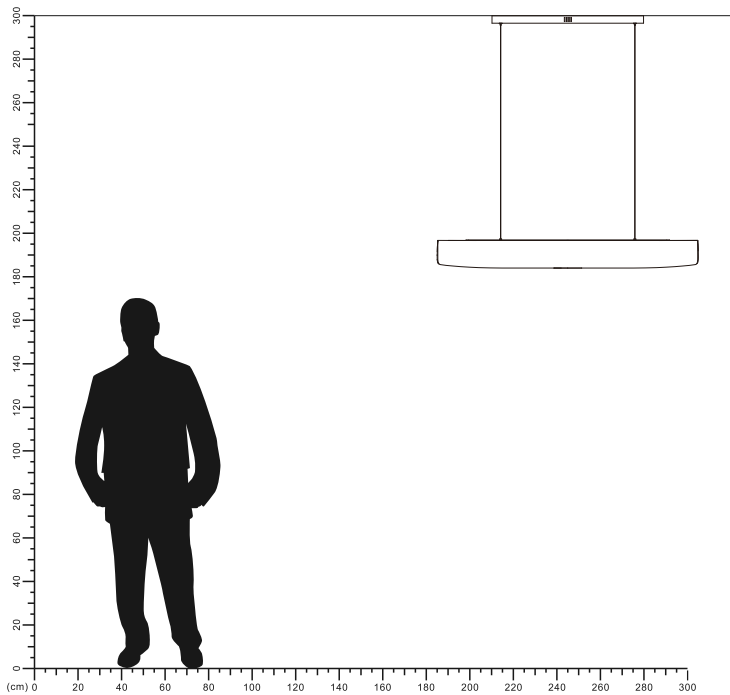


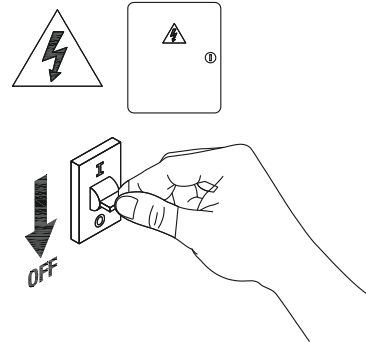
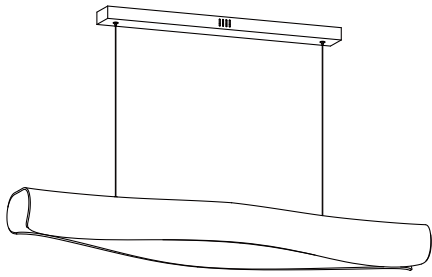
Description:
LED Ceiling Lamp

Main material:
Aluminum+Crystal

Specification
Energy saving, up to 85% energy saving comparing to standard halogen and incandescent lamps High quality light, high color rendering, less heat, no UV or IR radiation LED driver is included IP20

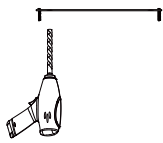
Applications
. Hotel
. Drawing room
. Dar





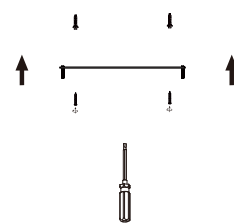
1

Turn off The Power



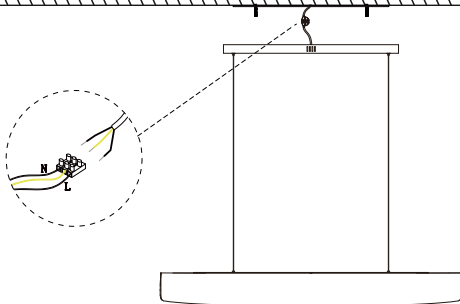
2

Drill 2 holes on your ceiling



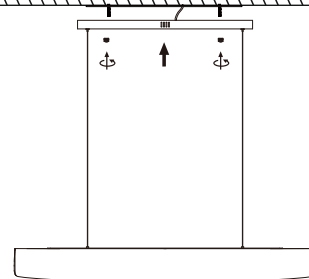
3

Install base plate



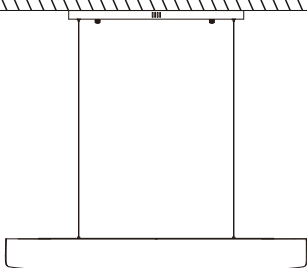
4

connect the cable



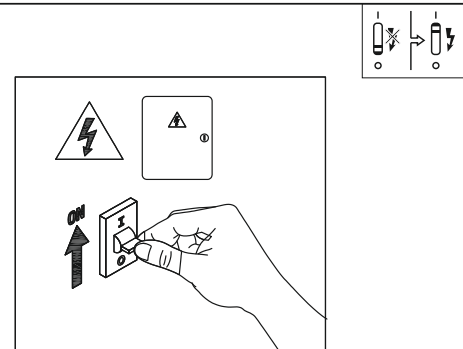
5

Install the ceiling lamp on the base plate



6

Installation completed



7

Turn on the power

