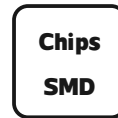
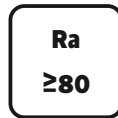


LED Ceiling Lamp

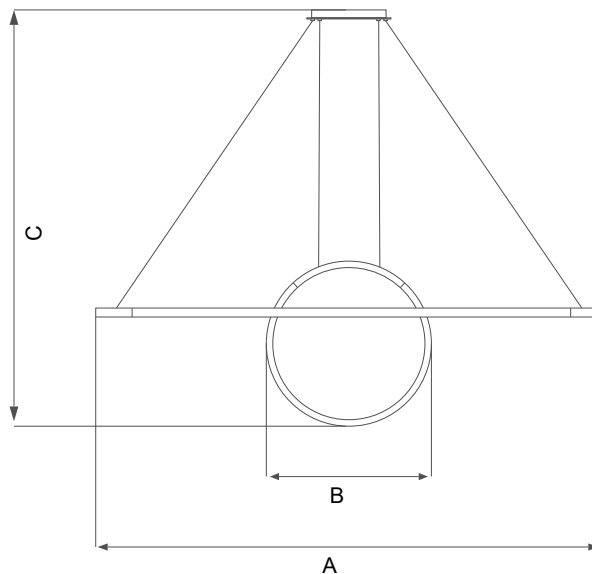
ME2038A

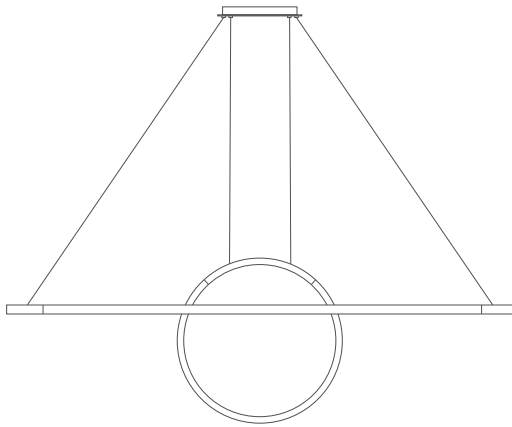
IP20



Item Code	P (W)	CCT (K)	Dimensions in mm			kg
			A	B	C	
ME2038A	30W	3000	1200	400	1000	0.8

Dimensions in mm





Description:
LED Ceiling Lamp

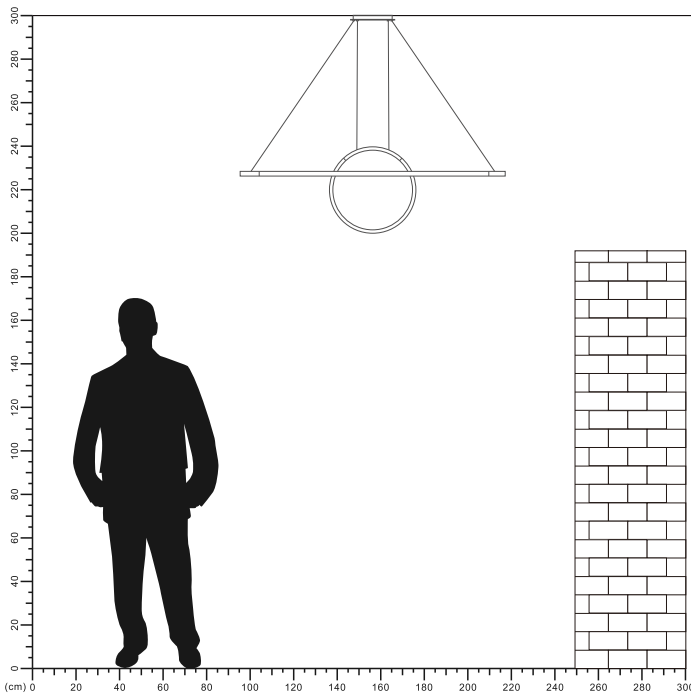
Main material:
Acrylic+Aluminum

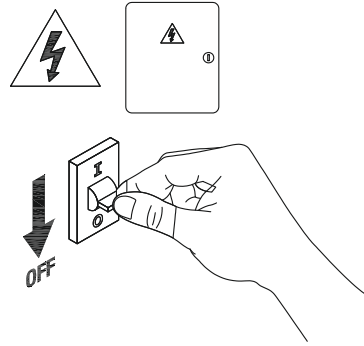
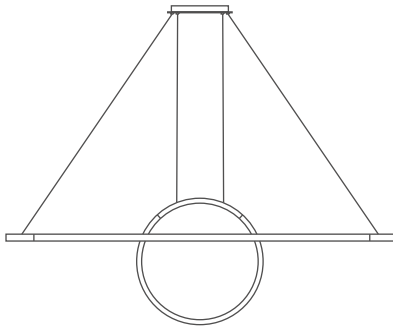
Specification

Special tree branch shape appearance, simple but full of personality and creative, randomly match the scene.
IP20

Applications

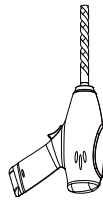
- . Hotel
- . Drawing room
- . Corridor





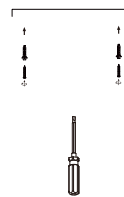
1

Turn off The Power



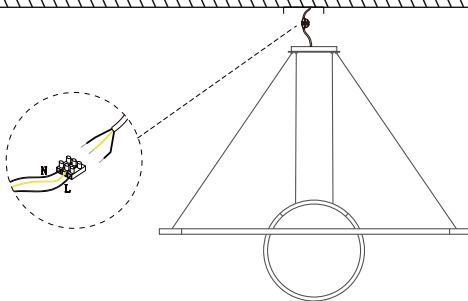
2

Drill 2 holes on your ceiling



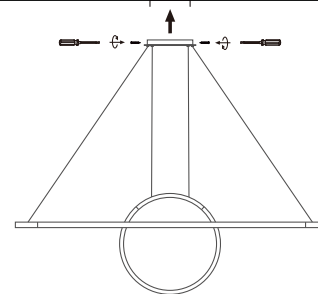
3

Install base plate



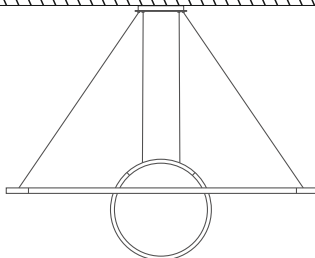
4

connect the cable



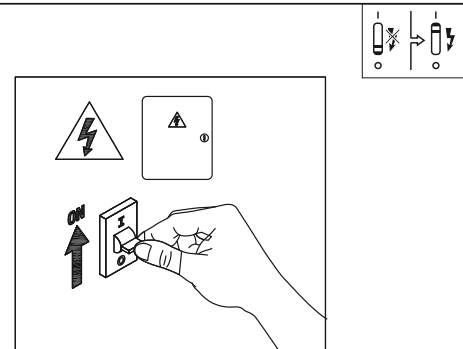
5

Install the ceiling lamp on the base plate



6

Installation completed



7

Turn on the power

