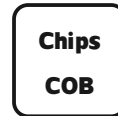
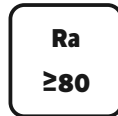


LED Ceiling Lamp

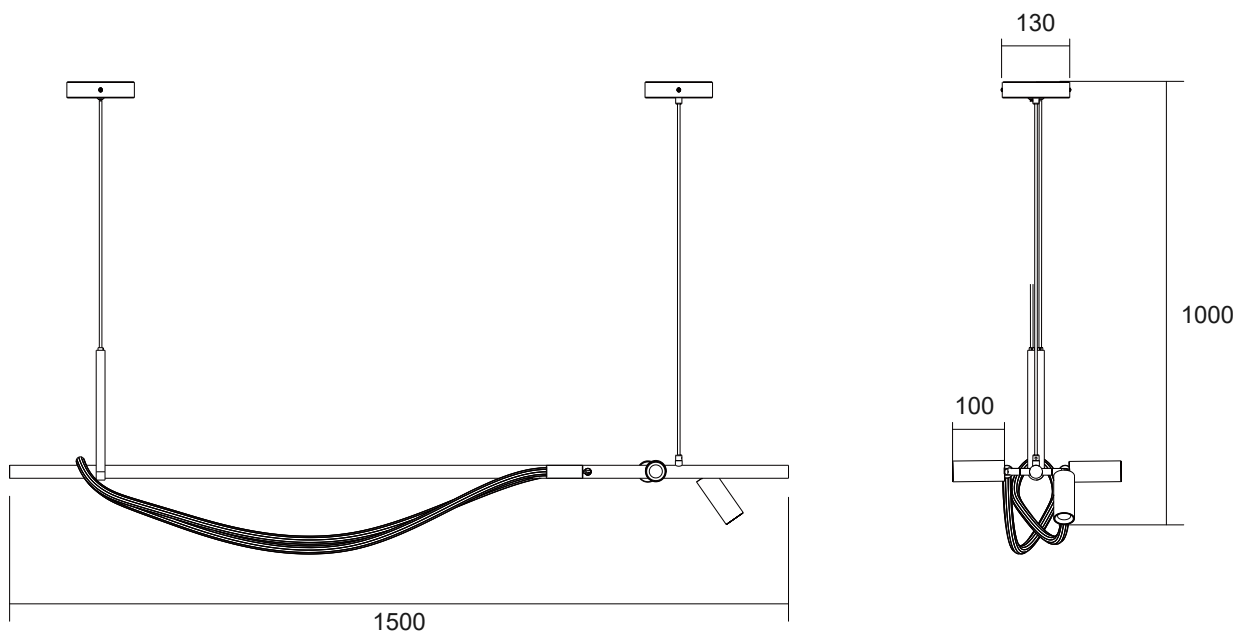
ME2060B

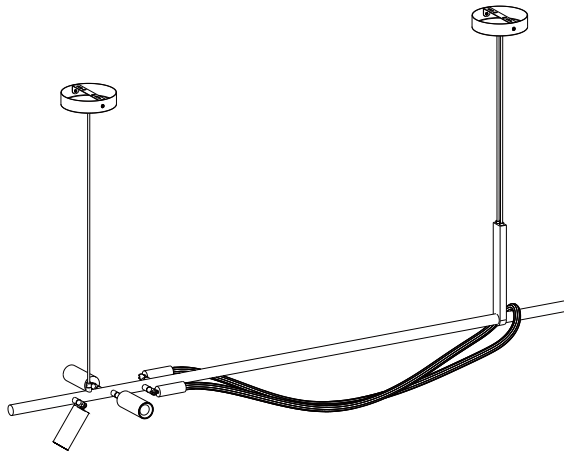
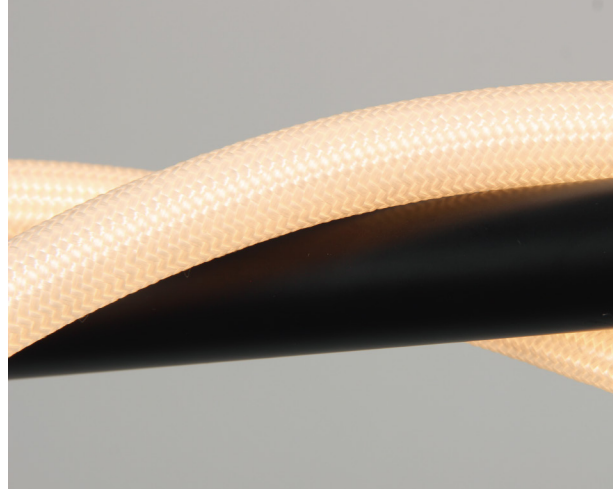
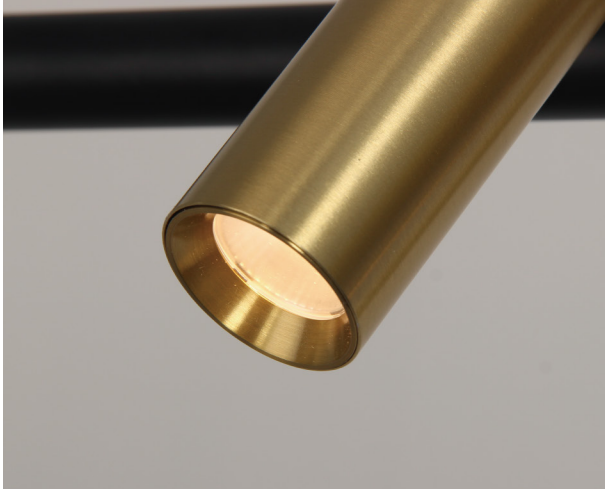
IP20



Item Code	P (W)	CCT (K)	Color	kg
ME2060B	40	3000	Black+Gold	2.56

Dimensions in mm



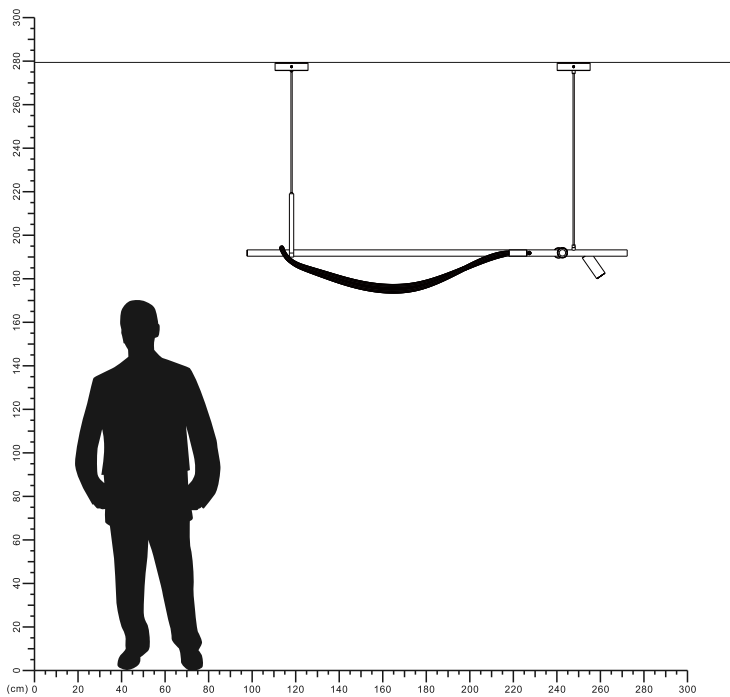


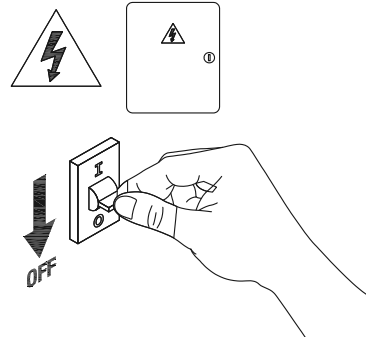
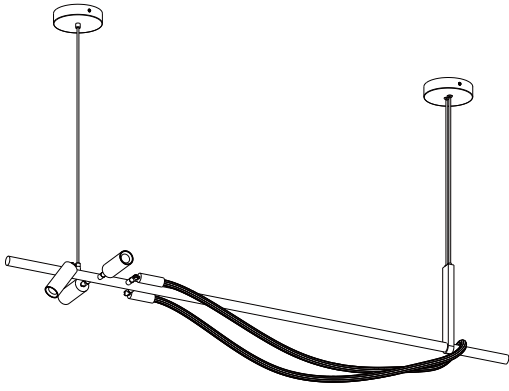
Description:
LED Ceiling Lamp

Main material:
Iron+Aluminum+Silicone + braided rope

Specification
Energy saving, up to 85% energy saving comparing to standard halogen and incandescent lamps
High quality light, high color rendering, less heat, no UV or IR radiation
LED driver is included
IP20

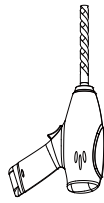
Applications
• Shopping mall
• Room
• Exhibition hall





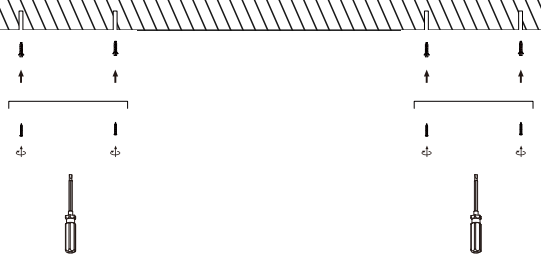
1

Turn off The Power



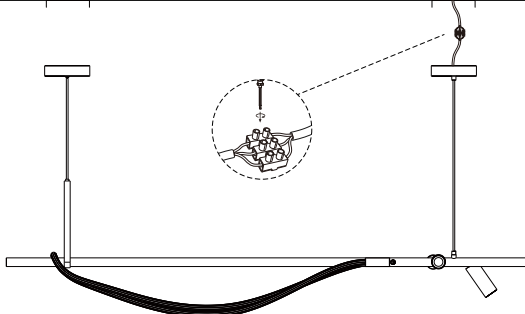
2

Drill 4 holes on your ceiling



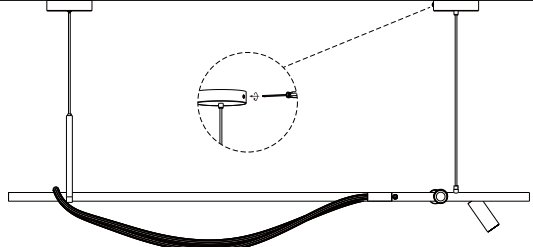
3

Install base plate



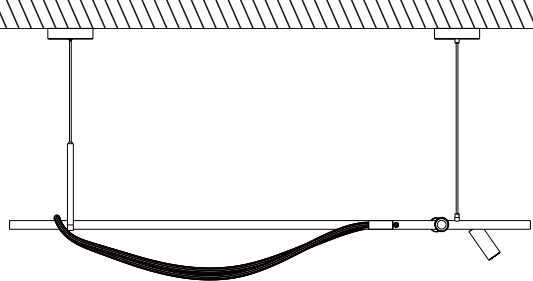
4

connect the cable



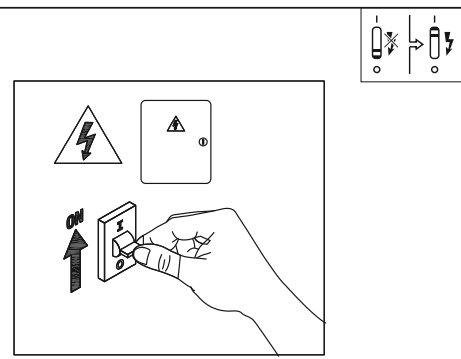
5

Mount the pendant light onto the base plate



6

Installation completed



7

Turn on the power

