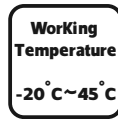
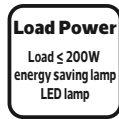


Human Body Infrared Sensor Switch

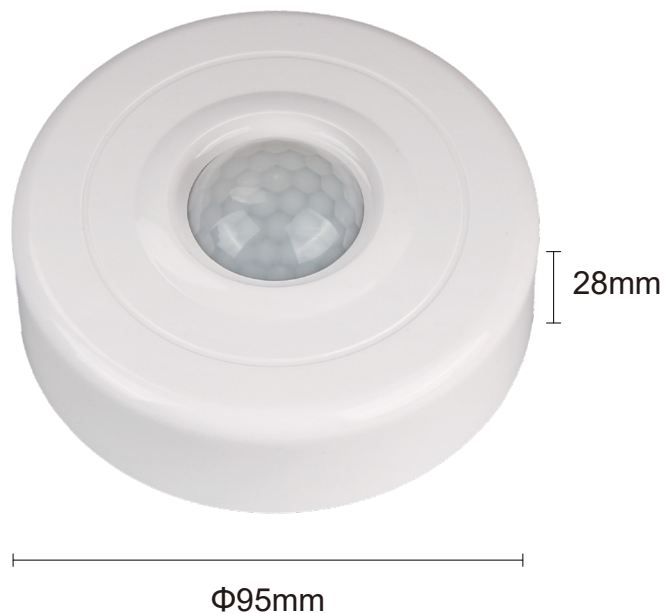
MR-HW9535

IP22



Item Code	Detection angle	Induction Delay	Illumination Adjustment	
MR-HW9535	120°	15min, 5min, 45s, 5s	Disable (2000Lux), 2Lux, 10Lux, 30Lux	0.05

Dimensions in mm

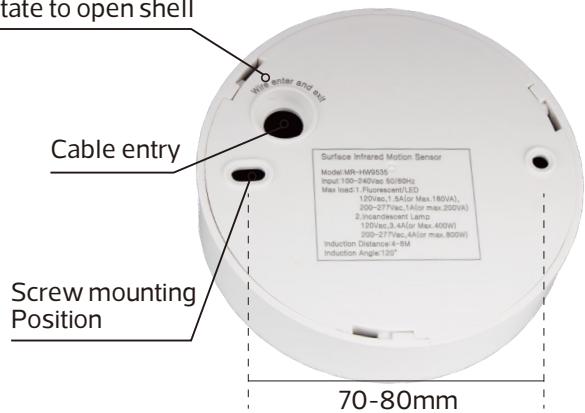


Use Fresnel Lens, Induction angle is big, the distance is far



PC Shell

Rotate to open shell



Cable entry

Screw mounting Position

70-80mm

Surface Infrared Motion Sensor
 Model: MR-HW5536
 Input: 100-240Vac, 50/60Hz
 Max load 1: Fluorescent/LED
 120Vac, 1.8A (or Max. 180VA)
 200-277Vac, 1 A (or max. 200VA)
 2 Incandescent Lamp
 120Vac, 2.4A (or Max. 400W)
 200-277Vac, 4A (or max. 800W)
 Induction Distance: 4-6M
 Induction Angle: 120°



Description:

Human Body Infrared Sensor Switch

Main material:

Engineering plastics

Specification

Applicable Products : LED Downlight, Spotlight, Panel Light, Ceiling Light, Exhaust Fan, Etc

Applications

- . Stairs
- . Hallways
- . Bathrooms
- . Garages
- . Basements
- . Basements

Illumination Adjustment

1	2	3	4
Disable	2 Lux	10 Lux	30 Lux

Detection Delay

1	2	3	4
15 min	5 min	45s	15s



Matters needing attention

Initialization

After power on, the sensor automatically turn on the light at 100% brightness. after 3 sec, it turn off the light. during the initialization, the sensor is not able to detect movement.

Factory Setting

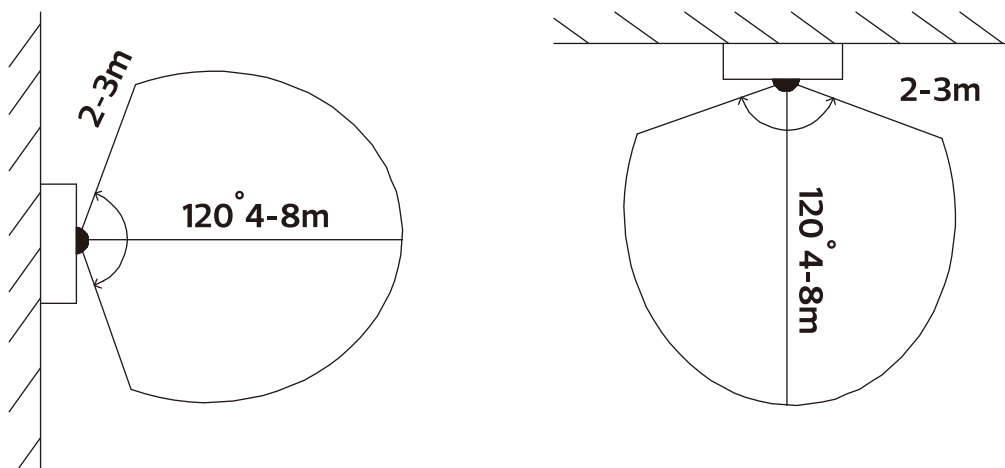
Hold Time: 15s, Daylight Sensor:Disable.

Application Notice

Be sure to power off before adjusting DIP switch setting.

Functional Characteristics

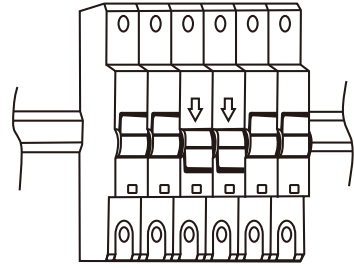
Using infrared pyroelectric sensor, integrated circuit chip and advanced production technology, stable and reliable performance. when someone enters the detection range of this product and triggers its action, the infrared sensor will work to light the lamp, and when the person leaves the





NOTE:

1. The installation of the product must be a professional electrician



Turn Off

First, you make sure the power is off.

Wiring Diagram

