

Human Body Infrared Sensor Switch

MR-HWQR8636

IP22



Item Code	Detection angle	Induction Delay	Illumination Adjustment	Hole Size (mm)	kg
MR-HWQR8636	120°	15min, 5min, 45s, 15s	Disable (2000Lux), 2Lux, 10Lux, 30Lux	Φ75	0.05

Dimensions in mm





Description:

Human Body Infrared Sensor Switch

Main material:

Engineering plastics

Specification

Applicable Products : LED Downlight, Spotlight, Panel Light, Ceiling Light, Exhaust Fan, Etc

Applications

- . Stairs
- . Hallways
- . Bathrooms
- . Garages
- . Basements
- . Basements

Illumination Adjustment

1	2	3	4
Disable	2 Lux	10 Lux	30 Lux

Hold Time

1	2	3	4
15 min	5 min	45s	15s



Notes

Initialization

After power on, the sensor automatically turn on the light at 100% brightness. after 3 sec, it turn off the light. during the initialization, the sensor is not able to detect movement.

Factory Setting

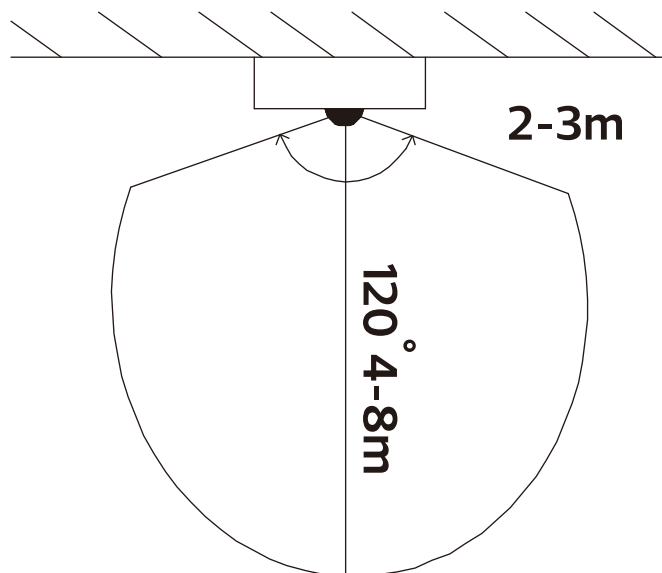
Hold Time: 15s, Daylight Sensor:Disable.

Application Notice

Be sure to power off before adjusting DIP switch setting.

Functional Characteristics

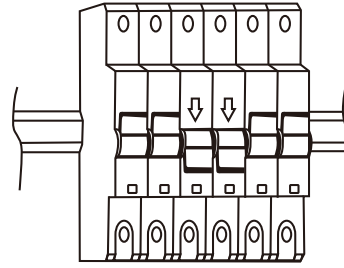
Using infrared pyroelectric sensor, integrated circuit chip and advanced production technology, stable and reliable performance. when someone enters the detection range of this product and triggers its action, the infrared sensor will work to light the lamp, and when the person leaves the detection range, the lamp will automatically go out.





NOTE:

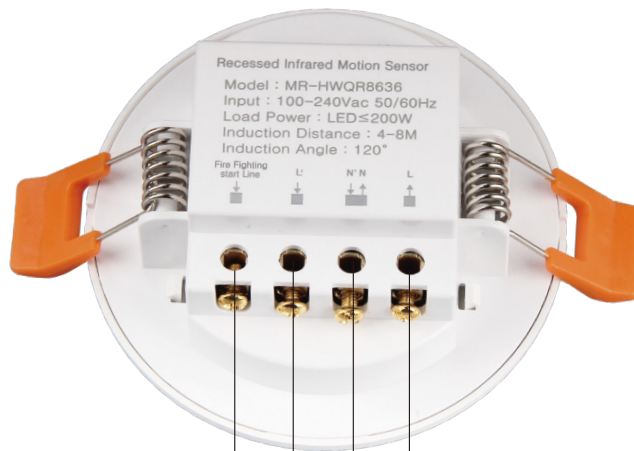
1. The installation of the product must be a professional electrician



Turn Off

First, you make sure the power is off.

Wiring Diagram



Recessed Infrared Motion Sensor
 Model : MR-HWQR8636
 Input : 100-240Vac 50/60Hz
 Load Power : LED ≤200W
 Induction Distance : 4-8M
 Induction Angle : 120°

Fire Break Line

(General engineering only with this function, do not need when not connected.)

