

Microwave Radar Sensor Switch

MR-WBQR8645

IP22

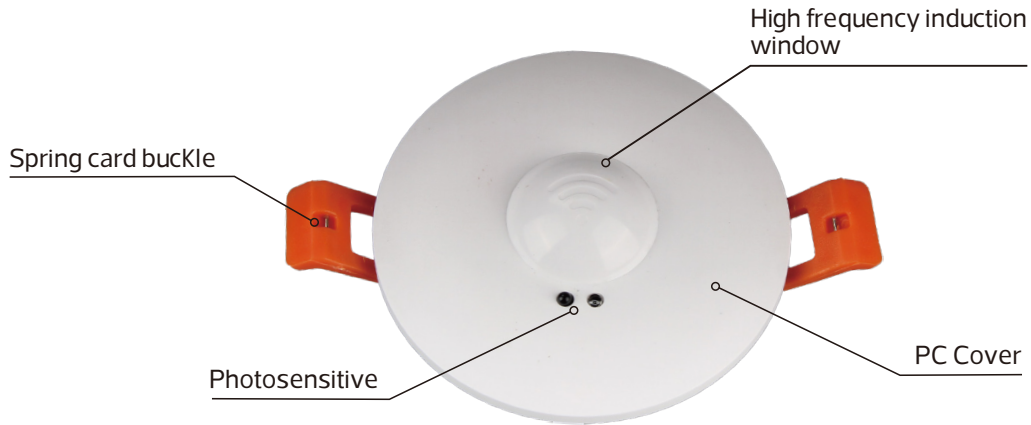


Indoor 	AC 85-265V	50/60 Hz	IP22	Frequency Range 5.8 Ghz	Load Power Load ≤ 200W energy saving lamp LED lamp	Induction Distance 2-4m/10% 4-6/50% 6-8/75% 8-10/100%	Dial the code to adjust ON ↑ "ON" — "OFF"	Induction Rate 0.5-3m/s	Installation Height Max 6m	Working Temperature -20°C ~ 45°C
-------------------	----------------------	--------------------	-------------	-----------------------------------	--	--	--	-----------------------------------	--------------------------------------	--

Item Code	Detection angle	Induction Delay	Illumination Adjustment	Hole Size (mm)	
MR-WBQR8645	360° (Wall installation 180°)	5S, 45S, 5min, 15min	Disable (2000Lux), 2Lux, 10Lux, 30Lux	Φ75	0.05

Dimensions in mm





Description:
Human Body Infrared Sensor Switch

Main material:
Engineering plastics

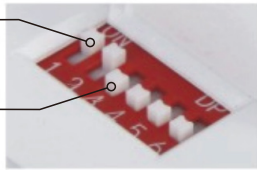
Specification
Applicable Products : LED Downlight, Spotlight, Panel Light, Ceiling Light, Exhaust Fan, Etc

Applications

- . Stairs
- . Hallways
- . Bathrooms
- . Garages
- . Basements
- . Basements

Show "ON"

Show "OFF"



Detection Area			Hold Time		Illumination Adjustment			
1	2		3	4	5	6		
-	-	10%	-	-	5s	-	-	Disable
ON	-	50%	ON	-	45s	ON	-	30Lux
-	ON	75%	-	ON	5min	-	ON	10Lux
ON	ON	100%	ON	ON	15min	ON	ON	2Lux

Matters needing attention

Initialization

After power on, the sensor automatically turn on the light at 100% brightness. after 3 sec, it turn off the light. during the initialization, the sensor is not able to detect movement.

Factory Setting

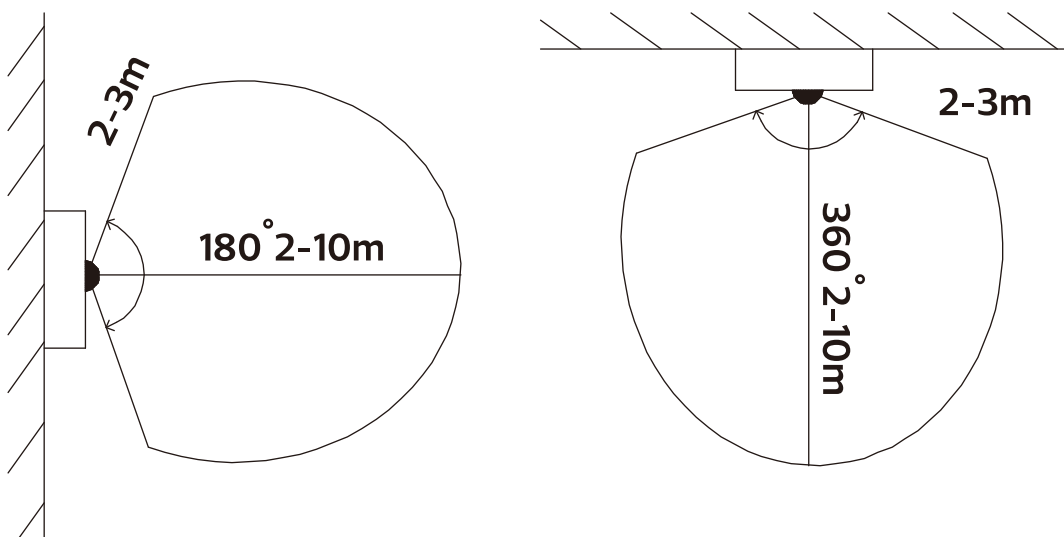
Detection Area: 100%, Hold Time: 5s, Daylight Sensor:Disable.

Application Notice

Be sure to power off before adjusting DIP switch setting.

Functional Characteristics

Radar induction switch is an object motion detector designed by using the principle of doppler effect. product has the ability to resist RF interference, not affected by temperature, sound, etc. it can penetrate non-metallic objects, such as plastic, wood, glass, etc. when a person or object enters the detection range of this product and triggers its action, microwave (radar) sensor work lights up, when the person leaves the detection range, the automatic delay light is off.



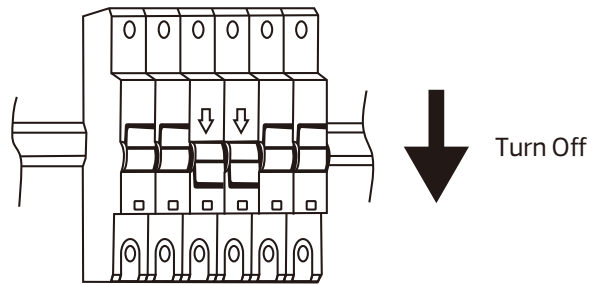
Special Functional Instructions

For example, when this product is installed in the underground garage, the sensor will also work when the vehicle lights in and out of the vehicle shine on the sensor. only after the sensor is in the environment with other lighting products for 30 minutes, the sensor system will default to the area where there is already a lighting fixture to provide lighting, the sensor will be turned off. when the other lights go off the sensor will automatically work.



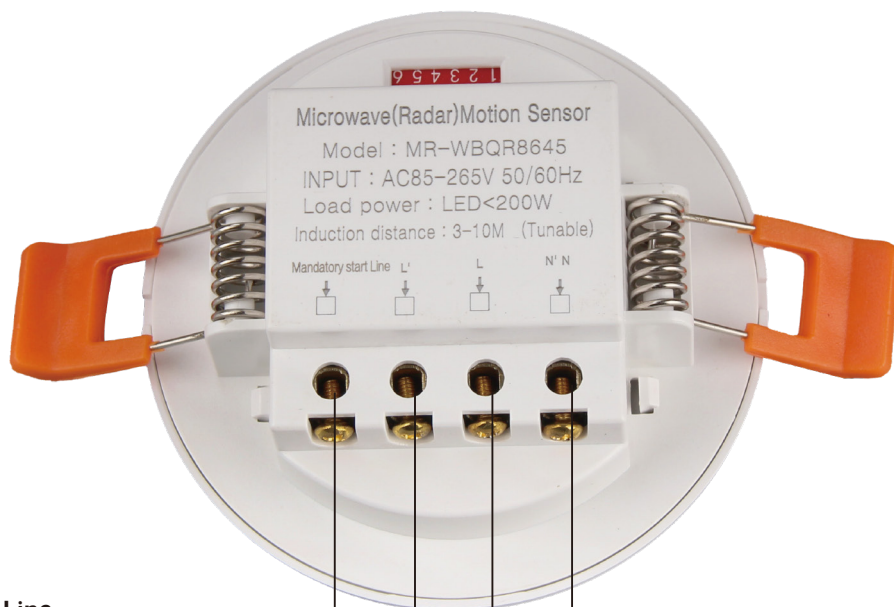
NOTE:

1. The installation of the product must be a professional electrician



First, you make sure the power is off.

Wiring Diagram



Fire Break Line

(General engineering only with this function, do not need when not connected.)

