

Smart Control Panel



AC
100-240V

50/60
Hz

Wi-Fi
Bluetooth
Zigbee

Working Temperature
0°C~40°C

Working Humidity
5%~90%RH

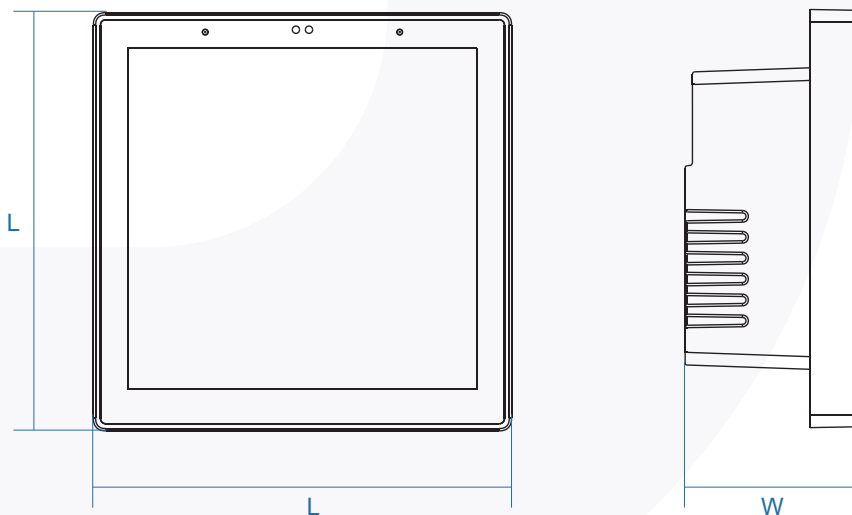
Scene and Automation

Device Control

Multi-mode Gateway

Item Code	Rated Current	Dimensions in mm			Kg
		L	W	H	
MS-CPS101-WZB-BK	74mA	86	36.6	115	0.19

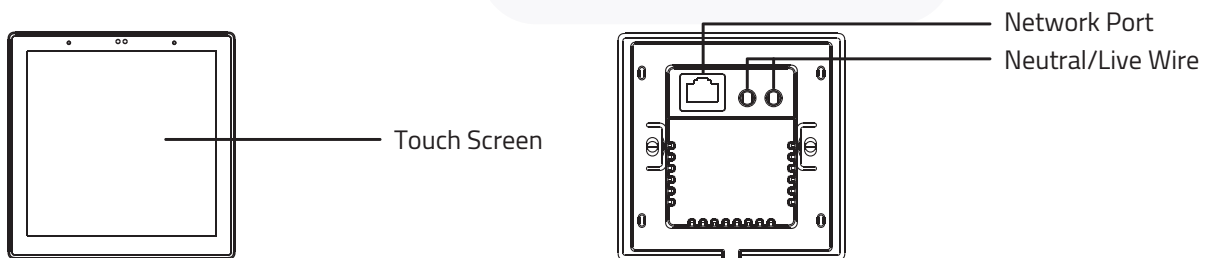
Dimensions in mm



Installation Preparation

1. This product is powered by the neutral wire, please arrange the neutral wire in advance.
2. This product is connected to the network via Wi-Fi or Ethernet cable, please arrange the Wi-Fi network.
3. Please prepare tools including screwdriver, test pencil, electrical tape, etc..
4. Please confirm the cassette's mounting hole distance within $600.5\pm\text{mm}$, and the depth is over 40mm.
5. Do not operate with electricity

Interface Description



Safety Instructions

To ensure the correct usage of this product, this product must be installed or disassembled by a professional electrician.

The main power switch must be cut off before installing or disassembling this product to prevent electric shock.

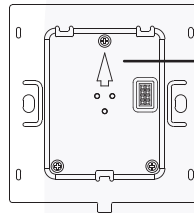
This product needs to be kept away from fire and water sources during installation and use.

This product cannot be used in humid environments (such as bathrooms).

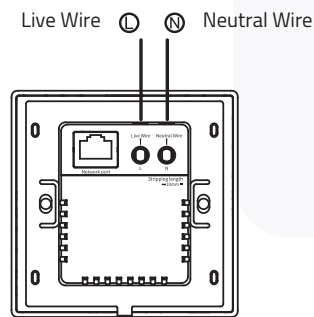
Currently, the device does not support PoE power supply, thus please do not plug the PoE network cable into the network port to avoid burnout of the device.

Installation Instructions

- Turn off the main power switch, and use a test pen to confirm that the live wire in the cassette is not live.
- Remove the panel (as shown):



Install upwards with the direction indicated by the arrow



- Please connect according to the physical identification on the product

L: Live wire input
N: Neutral wire input
Stripping length 10mm

- Check the wiring to make sure that the copper wire is in good contact with the terminal and there is no exposed wire.
- After fixing the base to the cassette with mounting screws, buckle back the panel.
- Please note that the screws should not be tightened too tightly during the installation process to avoid deformation or damage to the screen or hardware.
- If you encounter any problem with the installation, do not press too hard to force the installation. You should level the wall first and check the bracket

