

Plate Switches

T-series

Technical specification

Electrical

Voltage rating:
250V a.c.50Hz-60Hz

Current rating:
10 amps - no derating when used on fluorescent or inductive loads

20 amps - no derating when used on fluorescent or inductive loads

Terminal capacity:

- 4x1mm²
- 4x1.5mm²
- 3x2.5mm²
- 2x4mm²
- 1x6mm²

Contact gap:

3mm switch contact gap

Physical

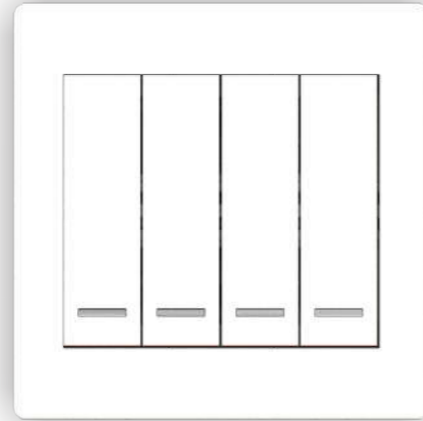
Operating temperature:
-5°C to +50°C

IP rating:
IP2XD

Max.installation altitude:
2000 metres

Operational testing (all plateswitches):
tested to 100,000 operations for mechanical life
tested to 30,000 operations at 10 amp rating
tested to 10,000 operations at 20 amp rating

Model:T1007



Four gang switch
One-WAY

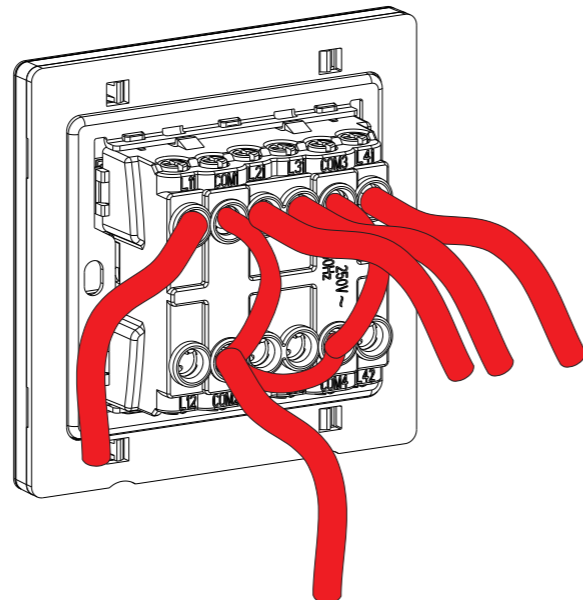
Cable Management

Logic Plus plateswitches can be mounted in a variety of NOORCO trunking systems

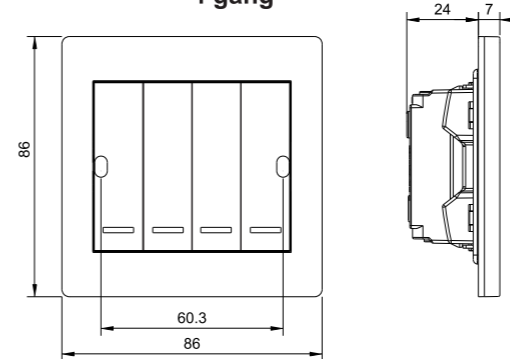
Description

Logic Plus plateswitches are designed to blend in with the decor, whilst complementing a wide range of other Logic Plus accessories. They are designed for easy installation in plaster depth boxes and are suitable for controlling circuits in domestic, commercial and industrial applications.

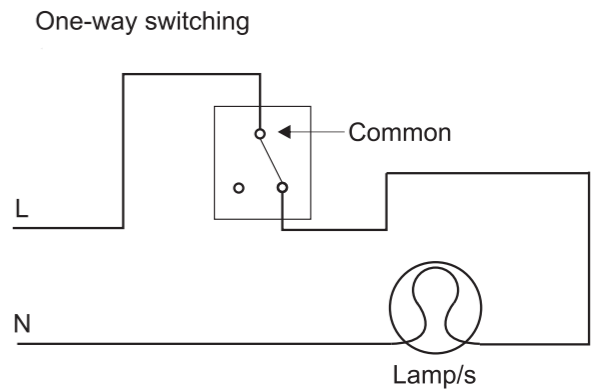
Wiring instructions



Dimensions(mm)
4 gang



Wiring Diagrams



NO.	Name	Material	Specifications	Technical characteristics
1	Rocker-L	PC	SABIC GE plastics	Can use in ocean weather and high temperature up to 130 celsius degree. PC material V0 inflaming retarding .Strong hygroscopicity, excellent strength and durability
2	Rocker-R	PC		
3	Surface frame	PC		
4	Indicator cover	ABS		
5	Stir	PC		
6	Base	PC		
7	Middle frame	PC		
8	Cover	PC		
9	Copper cylinder	Brass	59 Copper particles	Big copper connector 2.8 gram, moisture resistance and stand wear and tear . Difficult to make electrical spark ,our products can use in the moist weather
10	Silver alloy contact	Silver	Silver&Copper composite	Silver thickness 0.6mm,silver contact diameter 4.0mm,thickness 1.5mm, contact surface big . Improve the silver contact arc extinguishing performance , reduce the electrical wear.Maintain low contact resistance
11	Copper Rocker	Brass	Phosphor Copper	0.8mm thickness copper, moisture resistance and stand wear and tear . Difficult to make electrical spark ,our products can use in the moist weather.
12	Screw	Iron	Carbon Steel	4*6.5mm screw ,make the cable very fastness,surface gold-plating,prevent oxidation,improve the electrical conductivity
13	Sliding contact	Brass	Phosphor Copper	High hardness ,wear-resisting

