

**D/P switch with socket**

**T-series**

**Technical specification**

**Electrical**

Voltage rating:  
250V a.c.50Hz-60Hz

Current rating:  
13A per socket outlet

Terminal capacity:  
Live,neutral & earth

3x2.5mm<sup>2</sup>  
3x4mm<sup>2</sup>  
2x6mm<sup>2</sup>

Contact gap:  
3mm switch contact gap

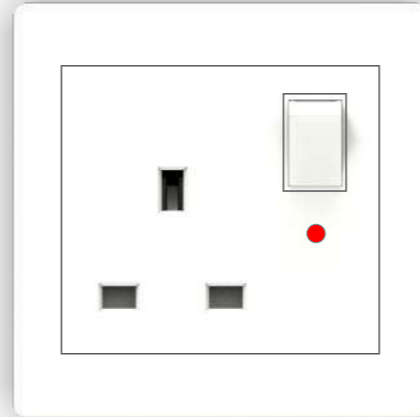
**Physical**

Operating temperature:  
-5°C to +50°C

IP rating:  
IP2XD

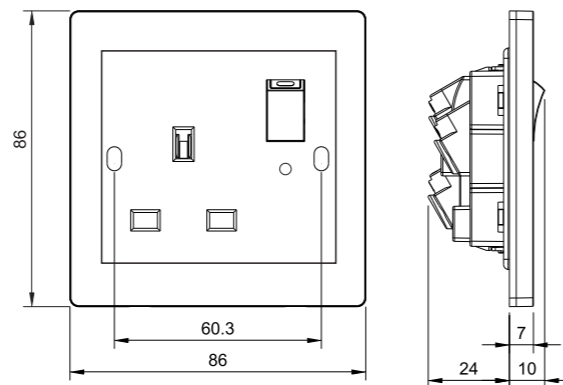
Max.installation altitude:  
2000 metres

**Model:T1013**

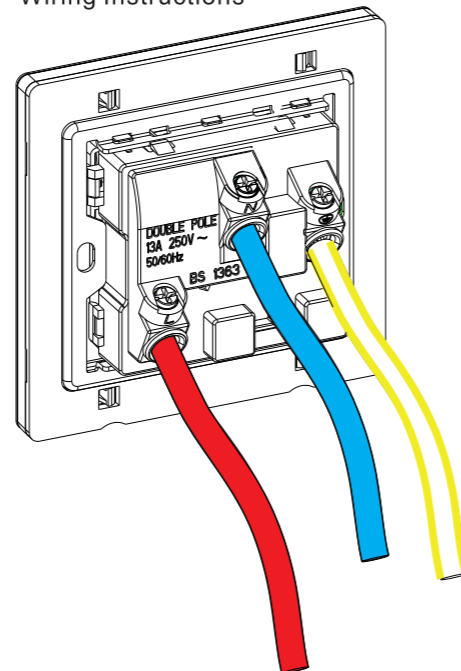


**13A UK Socket with double pole switch neon**

**Dimensions(mm)**



**Wiring Instructions**



**Description**

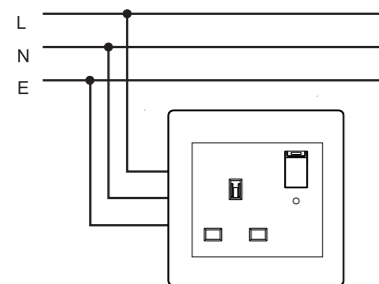
A range of socket outlets designed for ease of installation and having all the advantageous design features of the Logic Plus range. The 1 gang sockets with outboard rockers are of particular value for use by the infirm and partially sighted. The products can be quickly installed as replacement for existing 13 amp sockets or in a new installation

**Round pin sockets**

A range of round pin sockets is also available, switched and unswitched

**Wiring Diagrams**

One-way switching



**Features**

- Moulded ' on' indicator flash on switches will not rub off - totally safe
- Optional neon indicators in the switch rockers with 175 visibility in the horizontal and vertical planes
- Printed terminal markings on grey rear mouldings for clearer identification
- 3mm switch contact gap
- Top access, angled terminals make wiring easier and quicker
- Double pole switching
- Additional electrical safety from neutral "make first", "break last" feature on switched sockets
- Switch contacts with silver contact points on both surfaces for good continuity
- Choice of inboard or outboard positioned rockers
- Only one size of screwdriver required for installation

NO.	Name	Material	Specifications	Technical characteristics
1	Surface frame	PC	SABIC GE plastics	Can use in ocean weather and high temperature up to 130 celsius degree. PC material V0 inflaming retarding .Strong hygroscopicity, excellent strength and durability
2	Middle frame	PC		
3	Rocker	PC		
4	Holder	PC		Big copper connector 2.8 gram, moisture resistance and stand wear and tear. Difficult to make electrical spark ,our products can use in the moist weather.
5	Base	PC		
6	Safeguard door	PC		Silver thickness 0.6mm,silver contact diameter 4.0mm, thickness 1.5mm, contact surface big . Improve the silver contact arc extinguishing performance , reduce the electrical wear.Maintain low contact resistance.
7	Copper cylinder	Brass	59 Copper particles	
8	Silver alloy contact	Silver	Silver&Copper composite	0.6mm thickness copper, moisture resistance and stand wear and tear . Difficult to make electrical spark , our products can use in the moist weather.
9	Connect sheet copper	Brass	Phosphor Copper	
10	Copper Rocker	Brass	Phosphor Copper	0.8mm thickness copper, moisture resistance and stand wear and tear . Difficult to make electrical spark ,our products can use in the moist weather.
11	Earth wire	Iron	Carbon Steel	
12	Sliding contact	Brass	Phosphor Copper	1.0mm thickness
13	Spring	Spring steels		

