

SAT Socket
T-series

Technical specification

Frequency Specification

SAT outlet
Single Modules : DC-1.75GHz
Diplexer Modules : n/a
Triplexer Modules : DC-200kHz:950-2400MHz

Physical

Operating temperature:
-5°C to +50°C

IP rating:
IP2XD

Max.installation altitude:
2000 metres

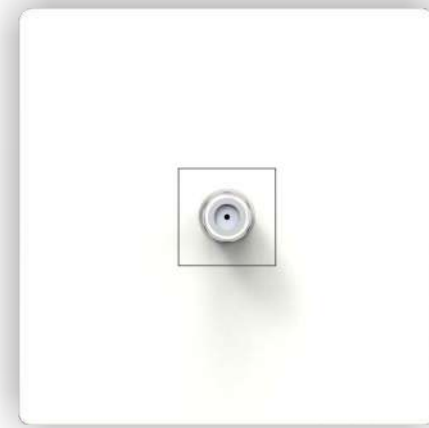
Description

Triplexer modules are for connecting to a single co-axial aerial down lead carrying combined SAT signals. The filtering in the triplexer splits out the appropriate signal and feeds it to the relevant output connection. A DC control path is provided in the SAT signal path through the triplexer

Features

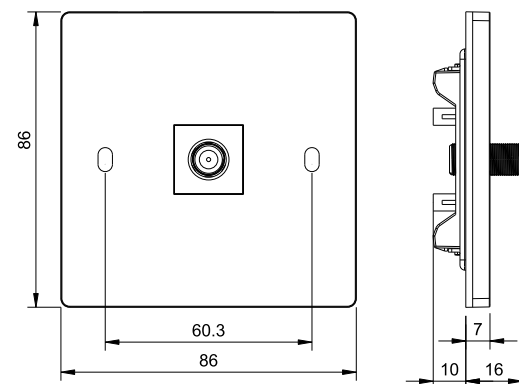
- Non Isolated
- Fully screened
- Earth terminal provided on SAT modules
- Selected products with BT secondary outlets for interactive SAT applications
- Selected products with supplementary SAT outlet for back-feed for further distribution

Model:T1019



SAT Socket

Dimensions(mm)



NO.	Name	Material	Specifications	Technical characteristics
1	Surface frame	PC		Can use in ocean weather and high temperature up to 130 celsius degree.PC material V0 inflaming retarding .Strong hygrosopicity, excellent strength and durability
2	Cover	PC	SABIC GE plastics	
3	Middle frame	PC		
4	Wiring terminal	Al	Aluminum	Chrome-faced to prevent oxidation

