

**RJ45/ISDN Data Outlets**

**T-series**

**Description**

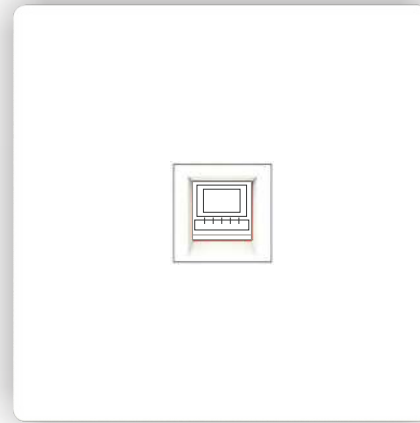
Suitable for use in all LJU6C, Euro and KHIND Modular frontplates, available in the Logic Plus range, Cat5/5e and ISDN modules suitable for use in structured cabling distribution systems. ISDN modules incorporate a line terminating resistor.

**Installation**

- Maximum cable length 90m.
- Cable bend radii, 40mm during installation, 20mm after installation
- Maximum pull force 8.7kg.
- Do not over tighten cable ties.
- Do not unwind the twists in the wire pairs by more than 13mm max

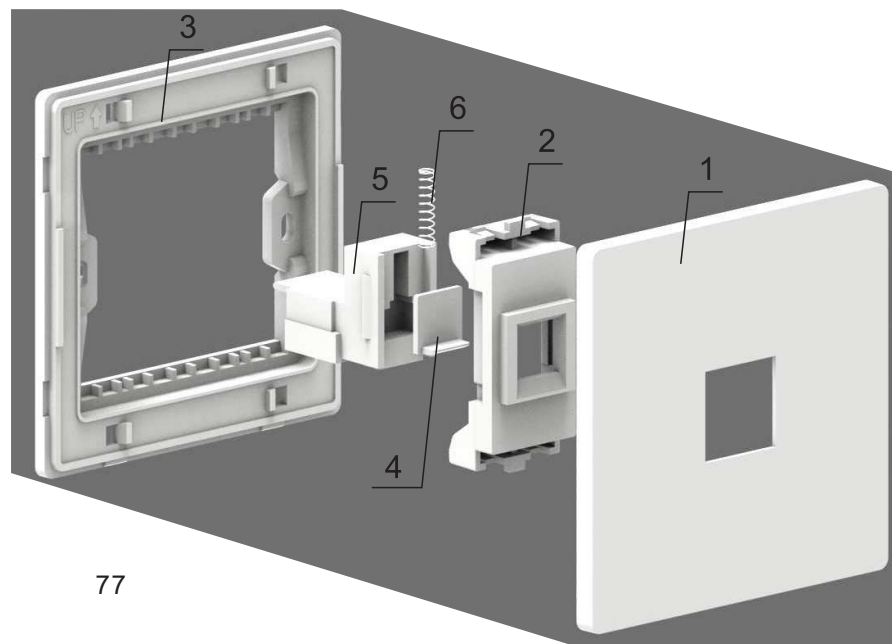
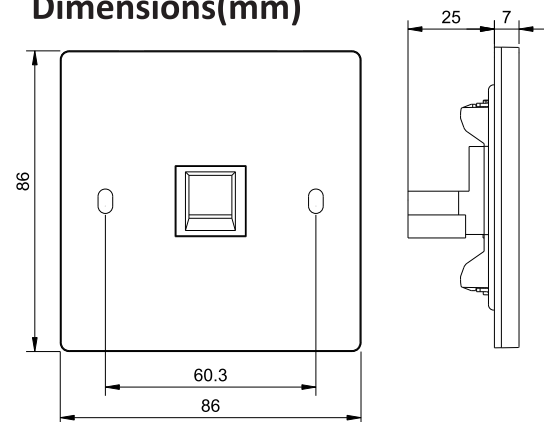
NO.	Name	Material	Specifications	Technical characteristics
1	Surface frame	PC		Can use in ocean weather and high temperature up to 130 celsius degree. PC material V0 inflaming retarding .Strong hygroscopicity, excellent strength and durability
2	Cover	PC		
3	Middle frame	PC	SABIC GE plastics	
4	Safeguard door	PC		
5	PCB			
6	Spring			

**Model:T1018**



**RJ45/ISDN Data Outlets**

**Dimensions(mm)**



**SAT,TV Socket**

**T-series**

**Technical specification**

**Frequency Specification**

TV outlet  
Single Modules : DC-950MHz  
Diplexer Modules : DC-68.5MHz, 174-862MHz  
Triplexer Modules : 5-68.5MHz, 174-862MHz

**SAT outlet**

Single Modules : DC-1.75GHz  
Diplexer Modules : n/a  
Triplexer Modules : DC-200kHz:950-2400MHz

**Physical**

Operating temperature:  
-20°C to +60°C

IP rating:  
IP2XD

Max.installation altitude:  
2000 metres

**Description**

Triplexer modules are for connecting to a single co-axial aerial down lead carrying combined TV and SAT signals. The filtering in the triplexer splits out the appropriate signal and feeds it to the relevant output connection. A DC control path is provided in the SAT signal path through the triplexer

**Features**

- Non Isolated
- Fully screened
- Earth terminal provided on TV modules
- Selected products with BT secondary outlets for interactive TV applications
- Selected products with supplementary TV outlet for back-feed for further distribution

**Model:T1020**



**SAT,TV Socket**

**On the back of the product**

**Dimensions(mm)**

