

RJ11,RJ45

T-series

Technical specification

Electrical

Telephone sockets,cable specification:
CW1311,CW1293,CW1308,CW1316
No.of cables per termination:
Telephone: 1
RJ11: 1
BNC
50. impedance cable-RG58,RG141,URM43 Belden 9907
Frequency range:
BNC connector: 0 to 4GHz
Impedance:
BNC connector: 50. nominal
Termination type:
Telephone module - IDC
BNC module - Crimped connection

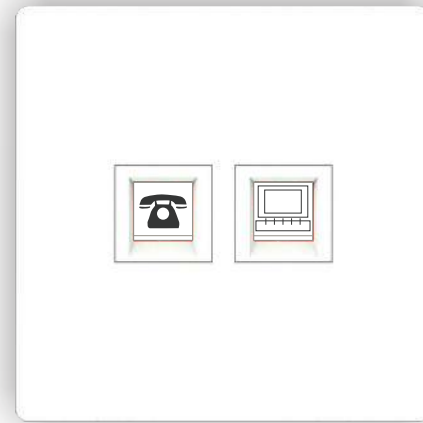
Physical

Ambient air:
-20°C to +60°C

IP rating:
IP2XD

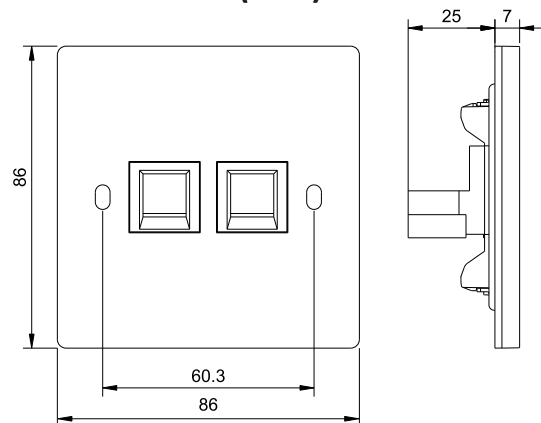
Max. installation altitude:
2000 metres

Model:T1026



RJ11, RJ45

Dimensions(mm)



Description

A range of telephone, data and blank modules to fit Euro and LJ6UC front plates. BNC Euro modules with a 50Ohm crimp connector suitable for use with Rg58, URM43 URM76 and Belden 9907 type co-axial cables are also available.

Features

- Meet all relevant BS, OFTEL and cabling standards.
- Interchangeable modules
- Earth terminal provided on SAT modules
- Selected products with BT secondary outlets for interactive SAT applications
- Selected products with supplementary SAT outlet for back-feed for further distribution

High Current Switches and Cooker Control Units

T-series

Technical specification

Electrical

Voltage rating:
250V a.c.

Current :
32A/45A resistive

Switch:
3mm contact gap
Double pole operation -
except socket switch on CCUs

Terminal capacity, 45A Switches and CCUs:
4x4mm²
3X6mm²
1x16mm²

Terminal capacity, 32A Switch:
3X2.5mm²
2X4mm²
1X6mm²

Physical

Ambient operating temperature:
-5°C to +50°C
(not to exceed an average of more than 25°C
in any 24 hour period)

IP rating:
IP2XD

Max.installation altitude:
2000 metres

Description

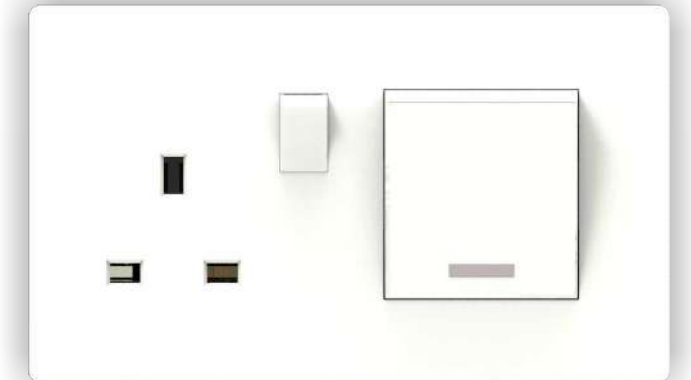
A range of switches and cooker control units harmonising with the Logic Plus style,suitable for the switching of all domestic, commercial and industrial applian where higher current ratings are required, i.e.cookers,heaters,commercial refrigeration units etc. Metal units are particularly suitable for refurbishment projects.

Features

- Positive switch action
- Positive double pole switching
- Toggle action switches
- Metal front plates available
- Replaceable neon indicators
- Wide product choice

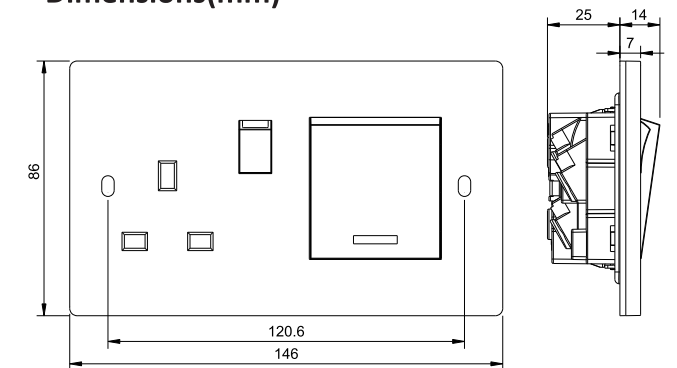
Note: These switches are not recommended for switching large banks of PCs

Model:T1033



45A D/P switch

Dimensions(mm)



Wiring Instructions

