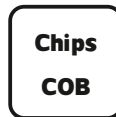
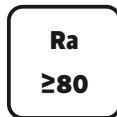


## LED Downlight

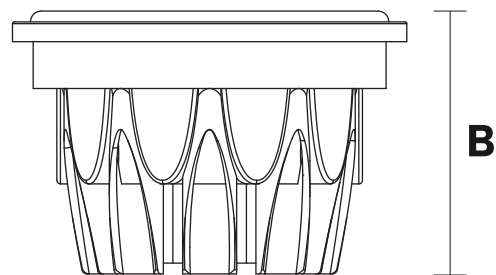
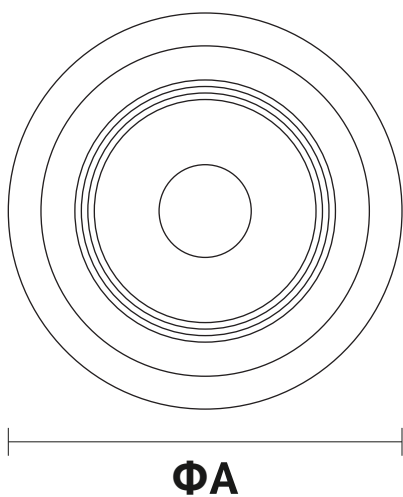
NR-AR111-15 Series

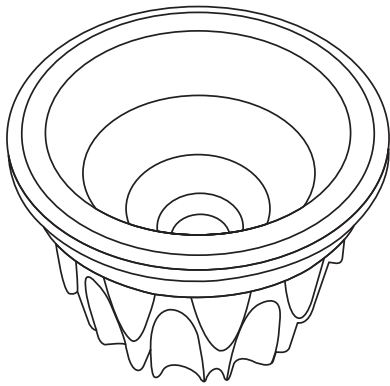
IP20



Item Code	P (W)	CCT(K)	Beam angle	Output (lm)	lm/w	Dimensions in mm		kg
						A	B	
NR-AR111-15	15	3000/4000/6500	24°	1200	80	Φ111	80	0.33

Dimensions in mm





**Description:**

LED AR111 Downlight

**Main material:**

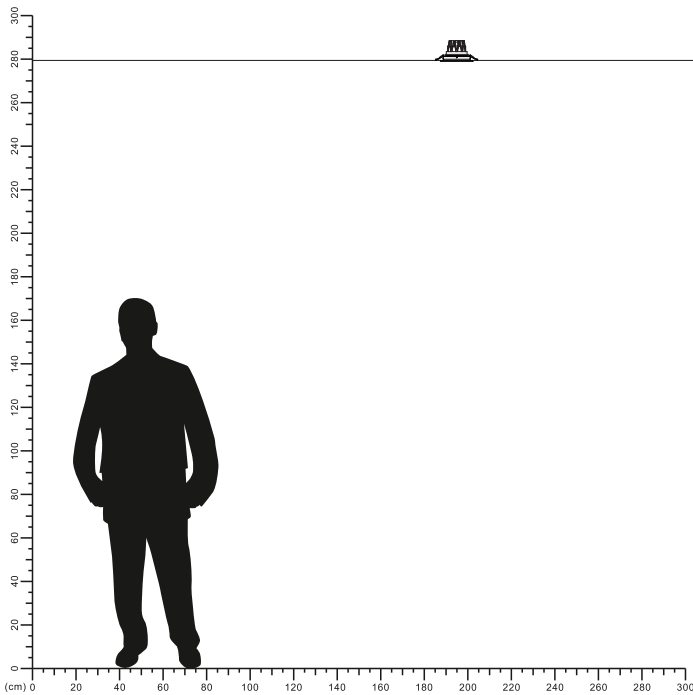
Die-cast aluminum+Engineering plastics

**Specification**

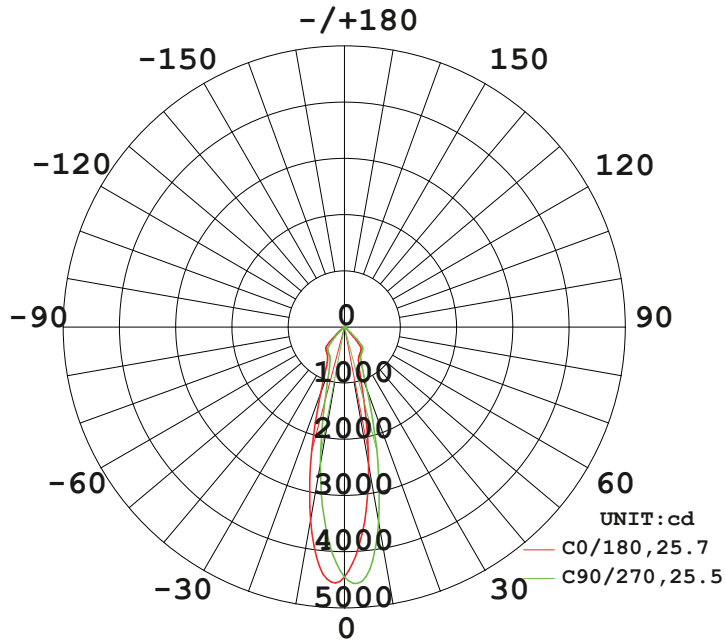
Energy saving, up to 85% energy saving comparing to standard halogen and incandescent lamps High quality light, high color rendering, less heat, no UV or IR radiation LED driver is included IP20

**Applications**

- . Shopping mall
- . Office buildings
- . Exhibition hall



# LUMINOUS INTENSITY DISTRIBUTION DIAGRAM



AVERAGE BEAM ANGLE (50%) : 25.6 DEG

## Illuminance at a Distance

