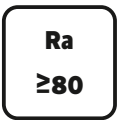


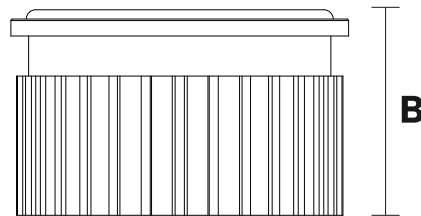
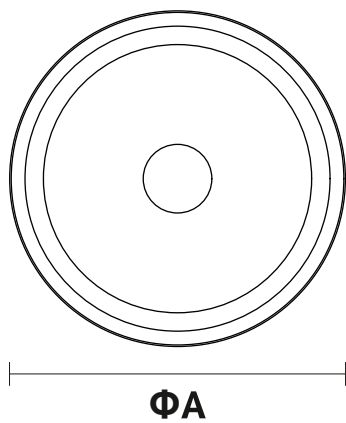
LED Downlight

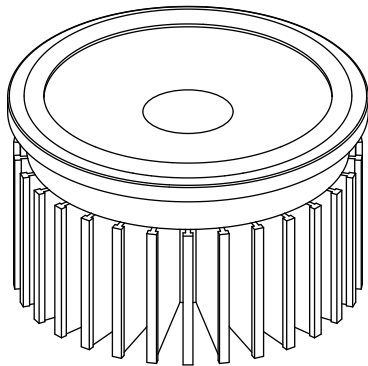
NR-AR111-30 Series
IP20



Item Code	P (W)	CCT(K)	Beam angle	Output (lm)	lm/w	Dimensions in mm		kg
						A	B	
NR-AR111-30-45	30	3000/4000/6500	45°	2700	90	Φ111	67	0.43
NR-AR111-30-90	30	3000/4000/6500	90°	2700	90	Φ111	67	0.43

Dimensions in mm





Description:

LED AR111 Downlight

Main material:

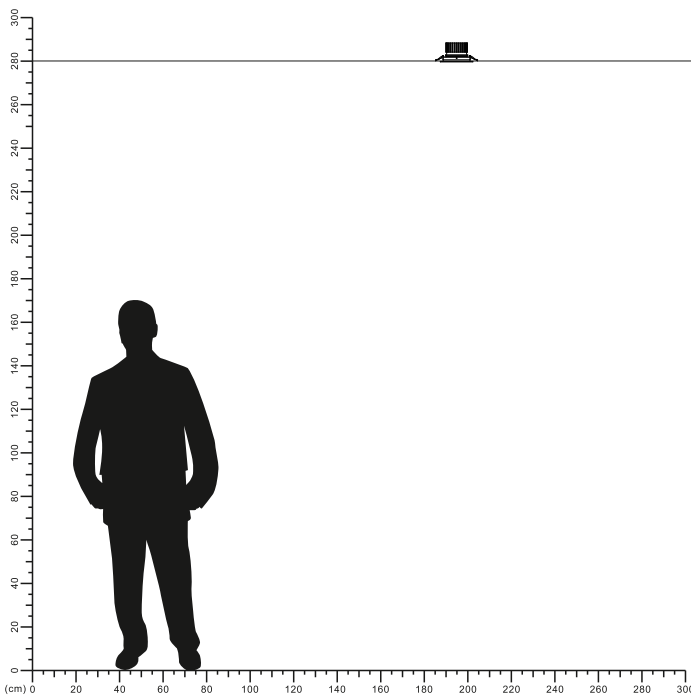
Die-cast aluminum+Engineering plastics

Specification

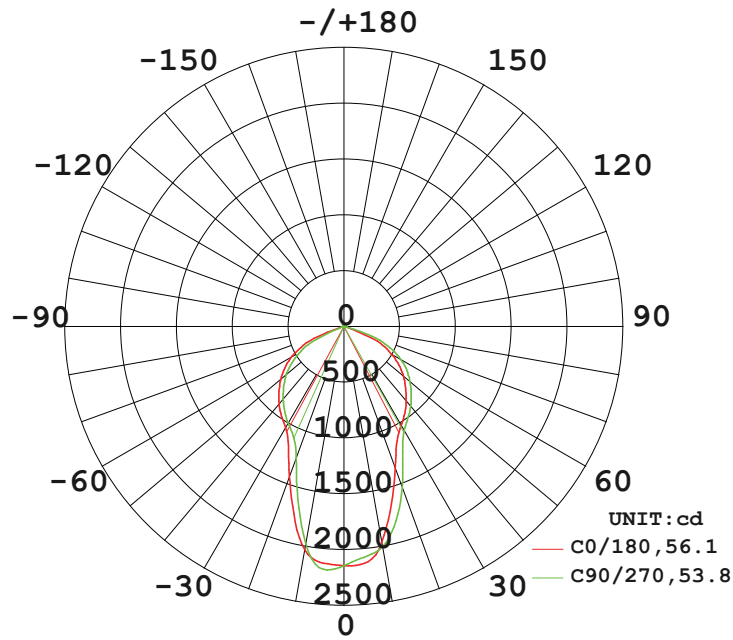
Energy saving, up to 85% energy saving comparing to standard halogen and incandescent lamps
High quality light, high color rendering, less heat, no UV or IR radiation
LED driver is included
IP20

Applications

- . Shopping mall
- . Office buildings
- . Exhibition hall

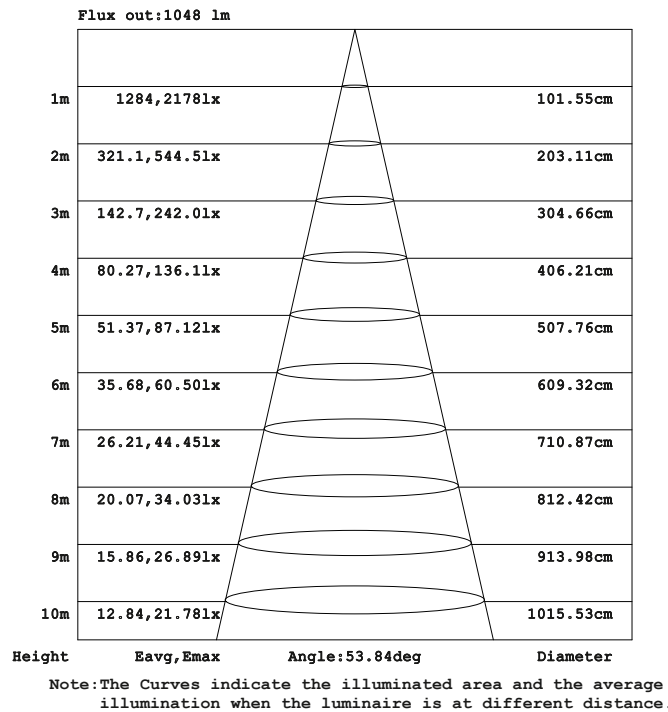


LUMINOUS INTENSITY DISTRIBUTION DIAGRAM



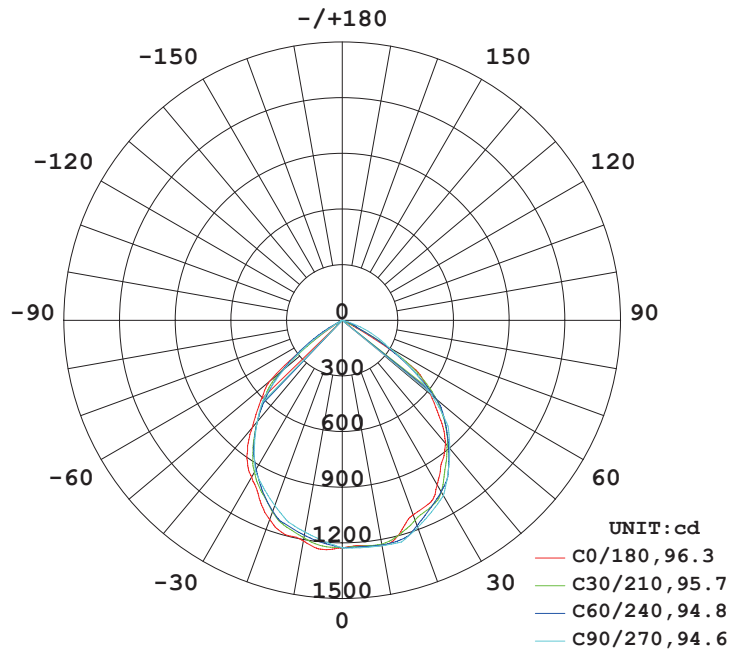
AVERAGE BEAM ANGLE (50%) : 54.9 DEG

Illuminance at a Distance



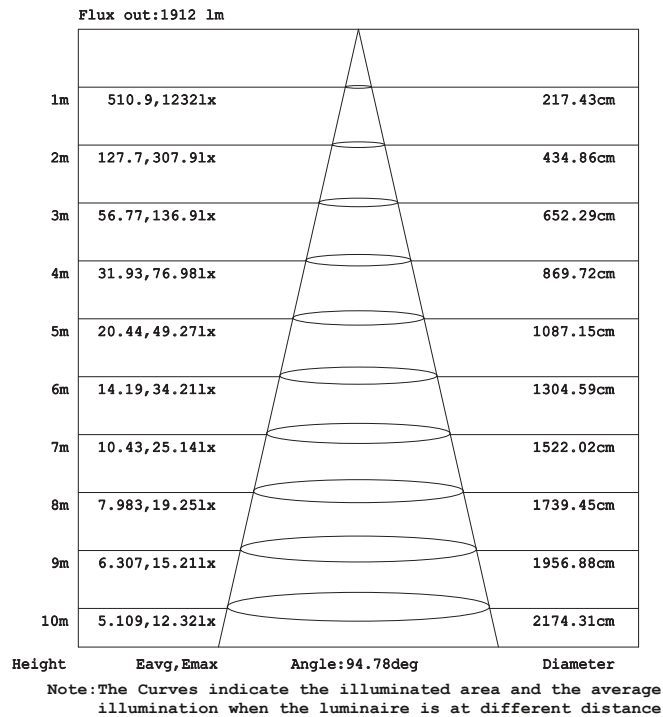
Model: NR-AR111-30-45°

LUMINOUS INTENSITY DISTRIBUTION DIAGRAM



AVERAGE BEAM ANGLE (50%) : 95.4 DEG

Illuminance at a Distance



Model: NR-AR111-30-90°

