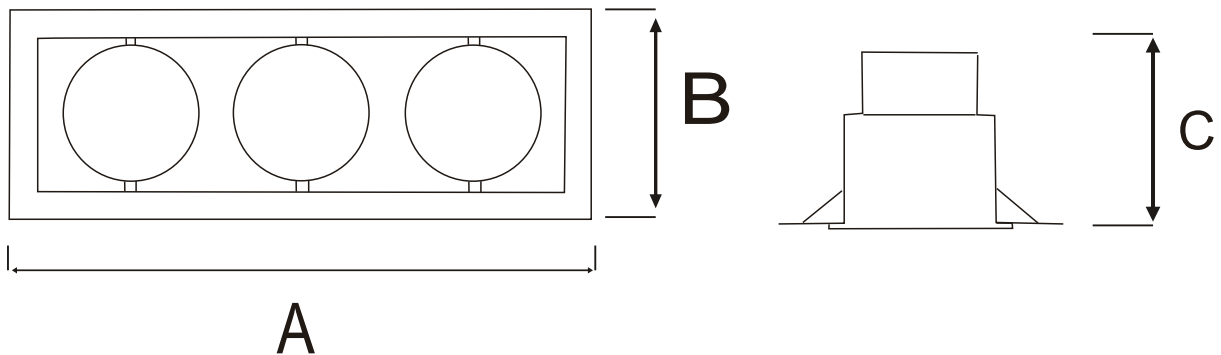


AR111 Frames
NR-BG102
NR-BG104

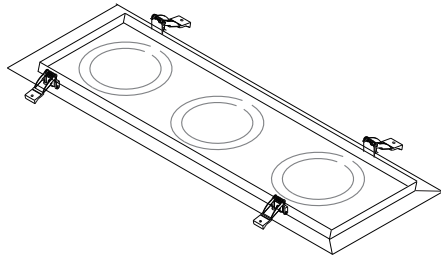


Specifications	\varnothing mm	Lamp head	A	B	C	kg
NR-BG104-FRAME-1	160*160	AR111	180	180	135	1.3
NR-BG104-FRAME-2	160*310	AR111*2	335	180	135	1.8
NR-BG104-FRAME-3	160*460	AR111*3	480	180	135	2.2
NR-BG102-FRAME-1	100*100	MR16	123	123	35	0,7
NR-BG102-FRAME-2	100*200	MR16*2	220	123	35	0,9
NR-BG102-FRAME-3	100*280	MR16*3	300	123	35	1.1

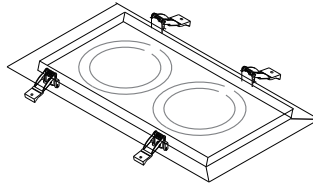
Dimensions in mm



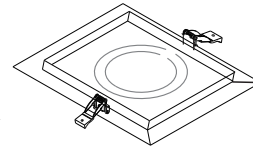
NR-BG104-FRAME-3



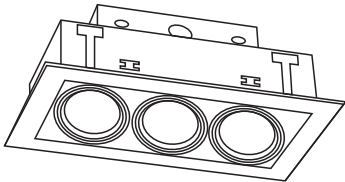
NR-BG102-FRAME-3



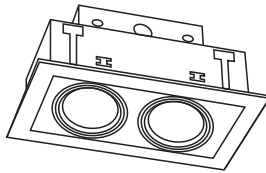
NR-BG102-FRAME-2



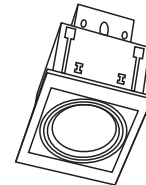
NR-BG102-FRAME-1



NR-BG104-FRAME-3



NR-BG104-FRAME-2



NR-BG104-FRAME-1



Description:

LED BG Frames

Main material:

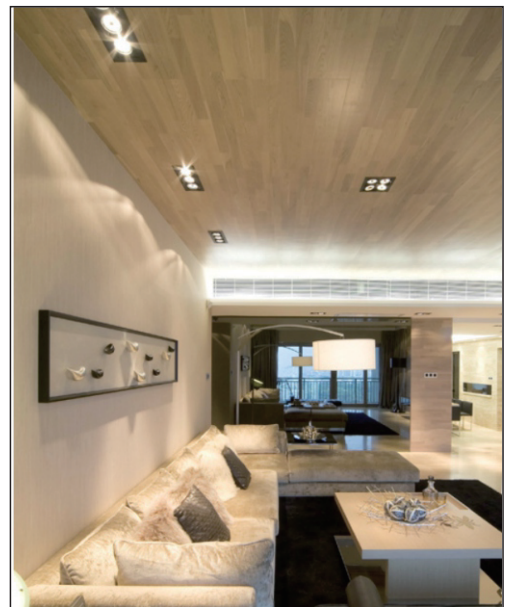
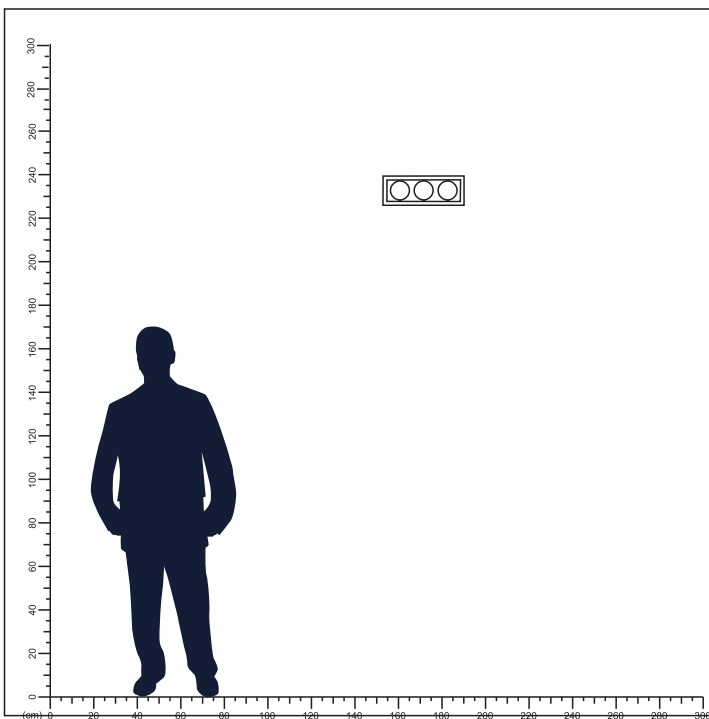
engineering plastic High quality aluminum spherical reflector for soft and comfortable light.

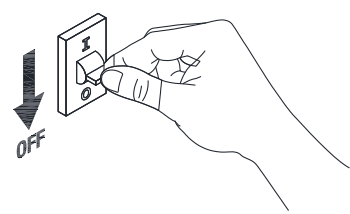
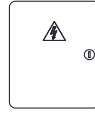
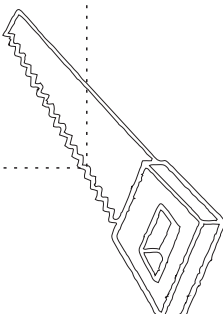
Applications

Shopping mall

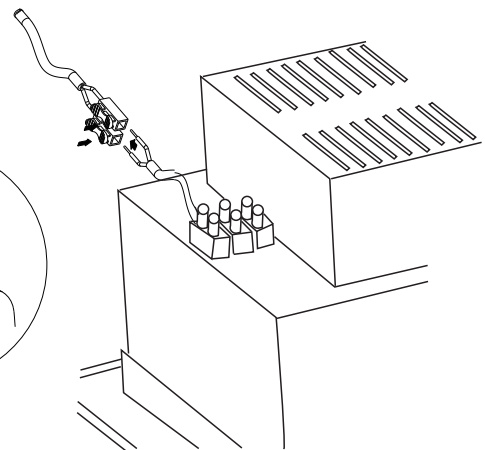
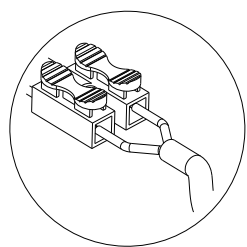
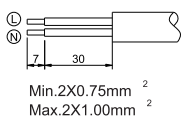
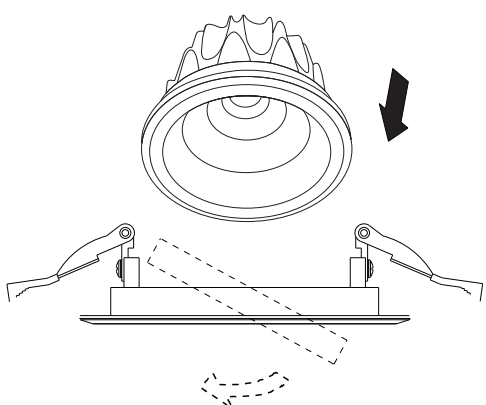
Office buildings, exhibition hall and so on public lighting places

. Domestic



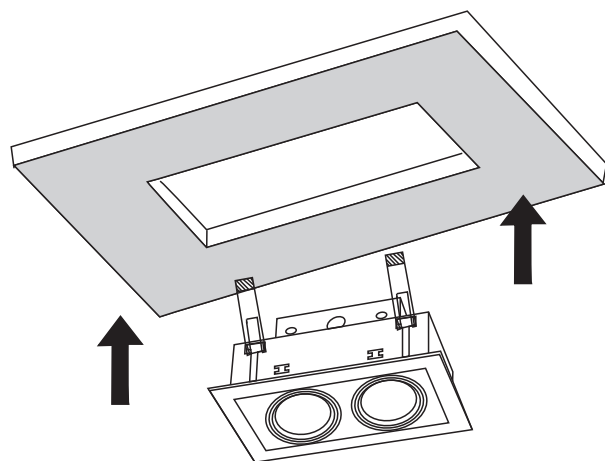


1a

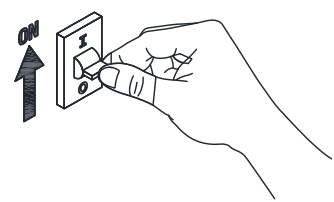
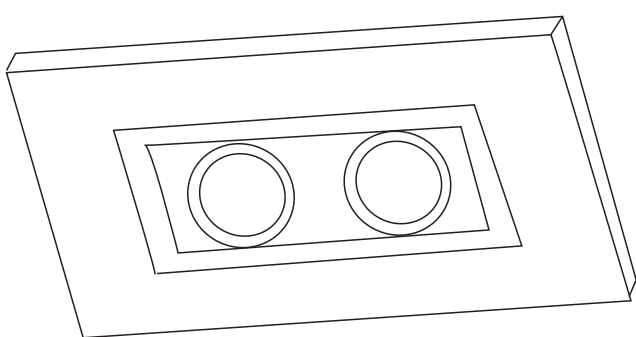


2

With adjustable inner ring, it can realize multi-angle adjustment



3



4