

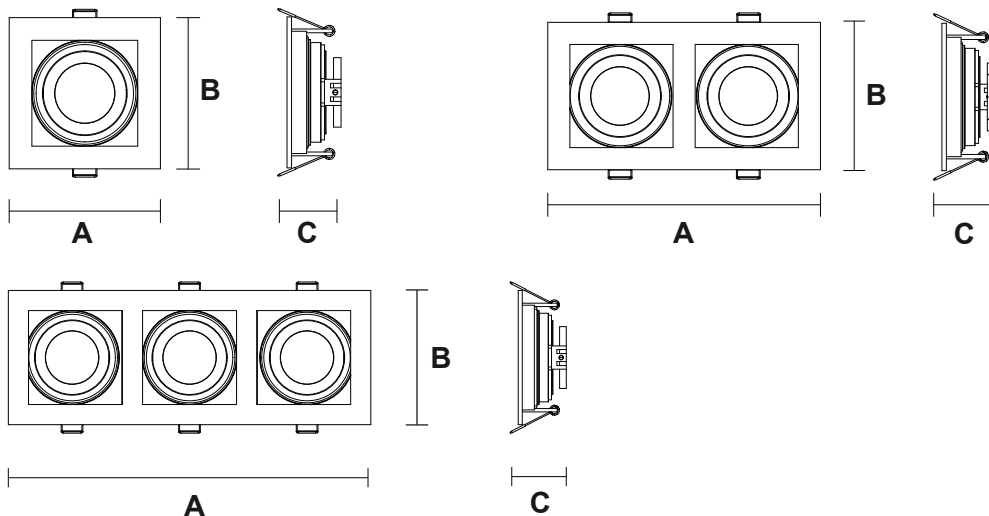
Lamp Frame

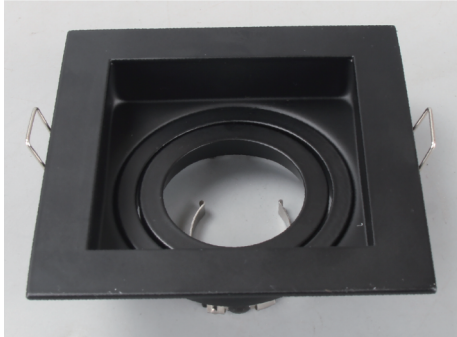
NR-BG105 Series
IP20



Item Code	Match Lamp	Color	Dimensions in mm			Hole Size (mm)	kg
			A	B	C		
NR-BG105-FRAME-1-WBK	GU10	White	100	100	42	90x90	0.17
NR-BG105-FRAME-1-BBK	GU10	Black	100	100	42	90x90	0.17
NR-BG105-FRAME-2-WBK	GU10	White	185	100	42	90x170	0.31
NR-BG105-FRAME-2-BBK	GU10	Black	185	100	42	90x170	0.31
NR-BG105-FRAME-3-WBK	GU10	White	270	100	42	90x255	0.42
NR-BG105-FRAME-3-BBK	GU10	Black	270	100	42	90x255	0.42

Dimensions in mm

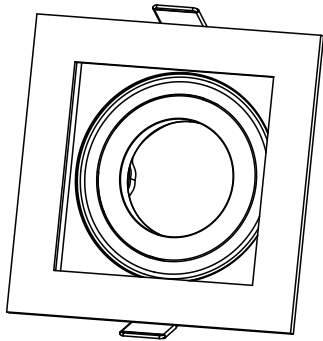




Strong spring fixationv



Arbitrary Angle adjustment



Description:

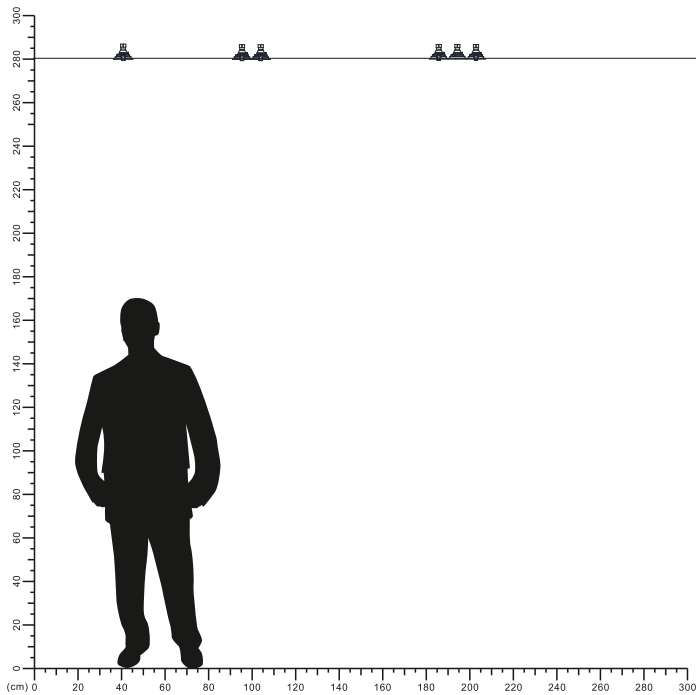
Lamp Frame

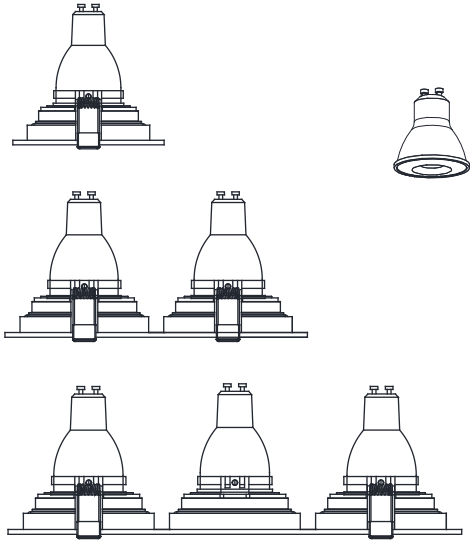
Main material:

High grade die casting surface
vacuum plating

Applications

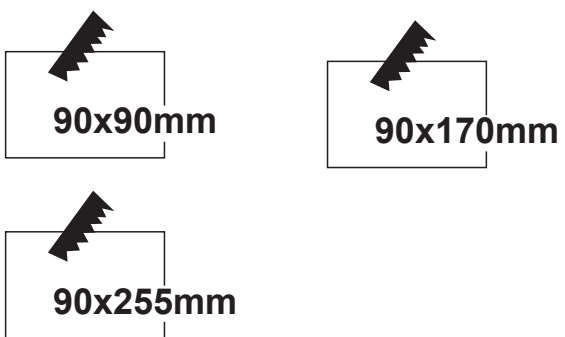
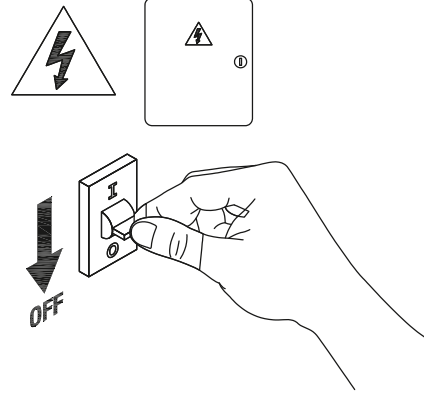
- . Shoping mall
- . Office buildings
- . Exhibition hall





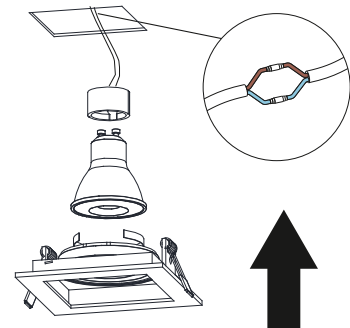
1

Turn off The Power.



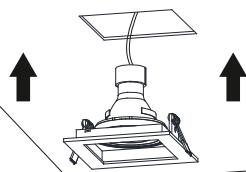
2

Cut a hole on your ceiling



3

After installing the enclosure
Install the lamp cup.



4

Mounted on the ceiling



5

Installation completed.

