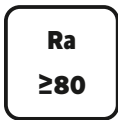



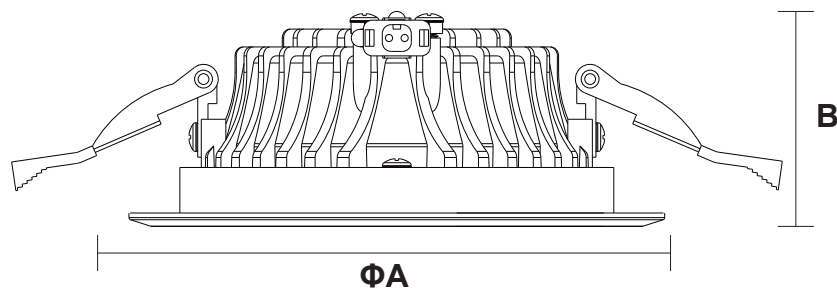
## LED Down Light

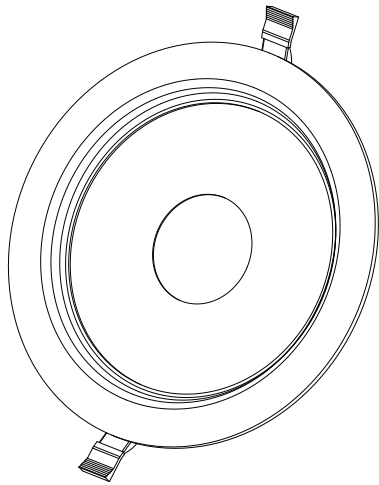
NR-CL103COB Series  
IP20



Item Code	P (W)	Beam angle	Output (lm)	lm/w	Dimensions in mm		Hole Size (mm)	
					A	B		
NR-CL103COB-7	7	45°	665	95	Φ95	52	Φ72mm	0.22
NR-CL103COB-10	10	45°	1067	106	Φ130	58	Φ100mm	0.24
NR-CL103COB-15	15	60°	1600	106	Φ165	50	Φ140mm	0.47
NR-CL103COB-30	30	90°	3200	106	Φ225	60	Φ200mm	0.80
NR-CL103COB-60	60	90°	4800	80	Φ225	120	Φ200mm	1.12

### Dimensions in mm





**Description:**

LED CL103COB Series Down Light

**Main material:**

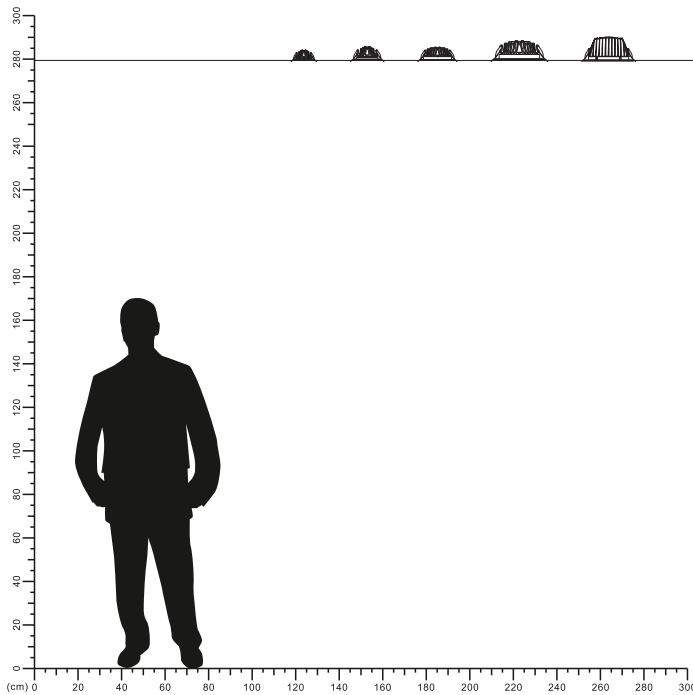
Die-cast aluminum+ glass cover

**Specification**

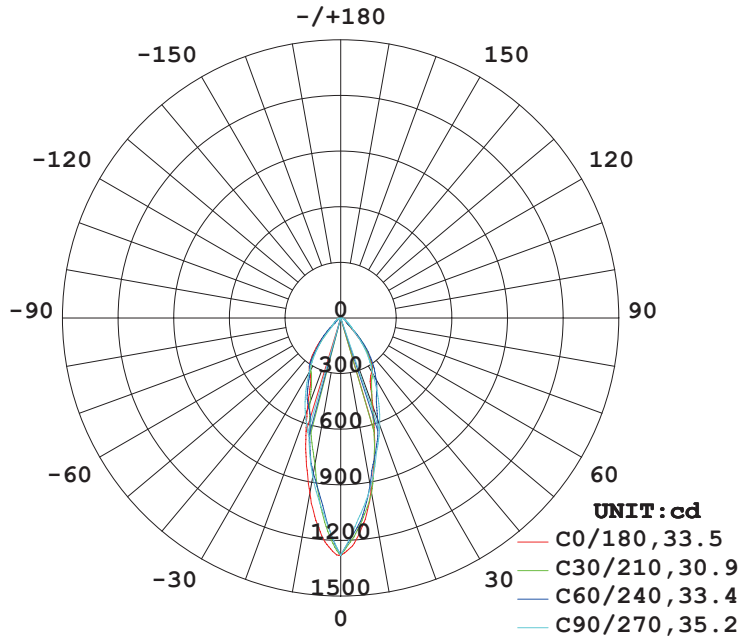
Energy saving, upto 85% energy saving comparing to standard halogen and incandescent lamps Long life, up to 30,000 hours High quality light, high color rendering, less heat, no UV or IR radiation Build-in LED driver IP20

**Applications**

- . Shopping mall
- . Office buildings
- . Exhibition hall
- . Public lighting places
- . Domestic



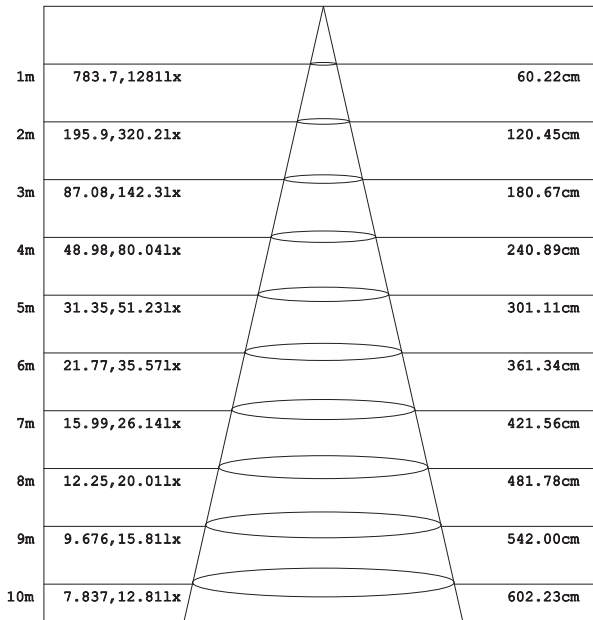
# LUMINOUS INTENSITY DISTRIBUTION DIAGRAM



**AVERAGE BEAM ANGLE (50%) : 33.3 DEG**

## Illuminance at a Distance

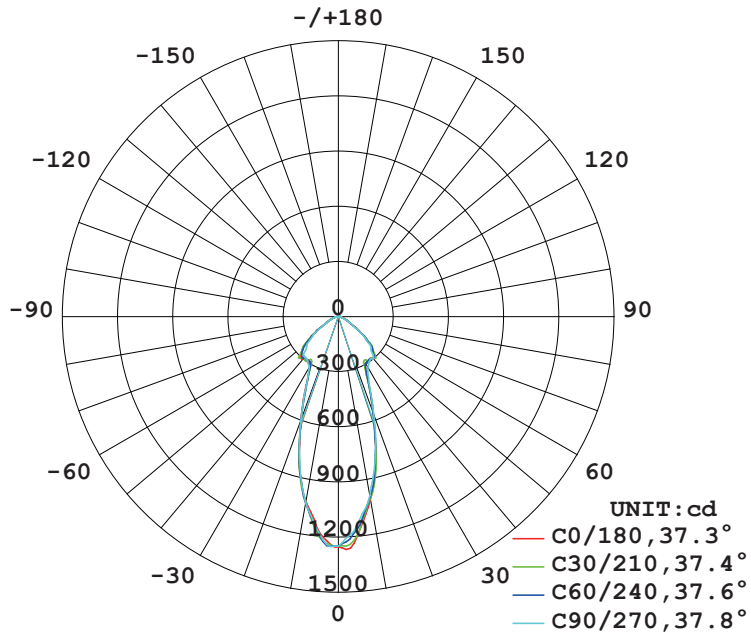
Flux out: 230.1 lm



Height      Eavg, Emax      Angle: 33.52deg      Diameter  
 Note: The Curves indicate the illuminated area and the average illumination when the luminaire is at different distance.

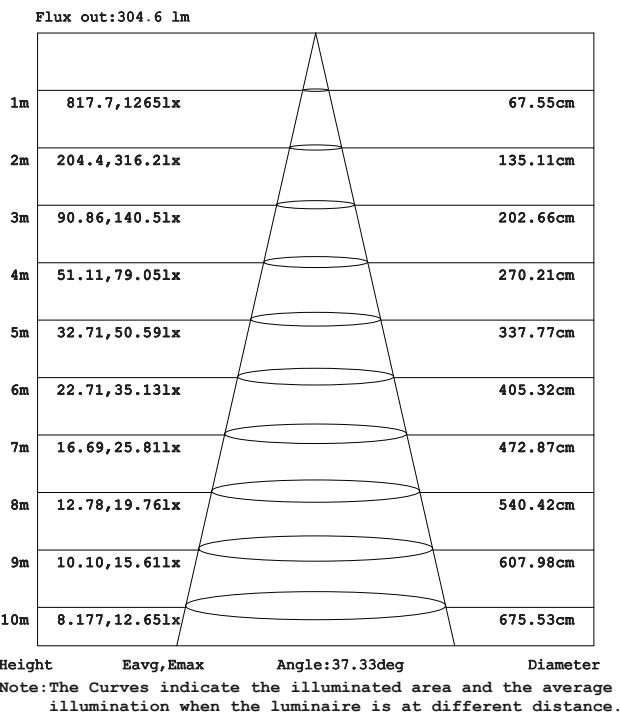
**Model:NR-CL103COB-7**

# LUMINOUS INTENSITY DISTRIBUTION DIAGRAM



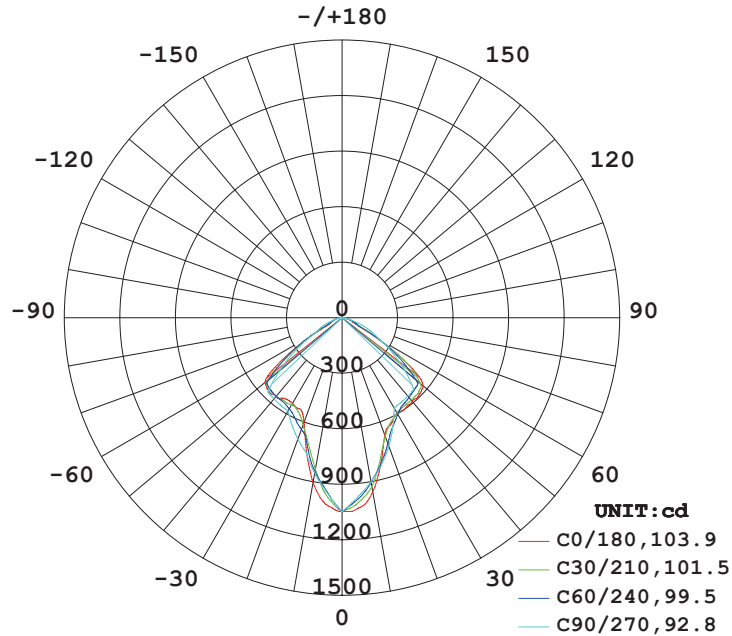
AVERAGE BEAM ANGLE (50%) : 37.5 DEG

## Illuminance at a Distance



**Model:NR-CL103COB-10**

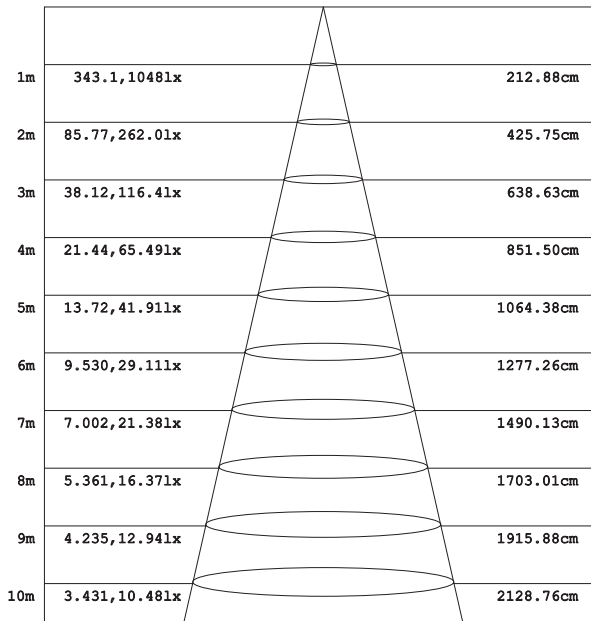
# LUMINOUS INTENSITY DISTRIBUTION DIAGRAM



**AVERAGE BEAM ANGLE (50%) : 99.4 DEG**

## Illuminance at a Distance

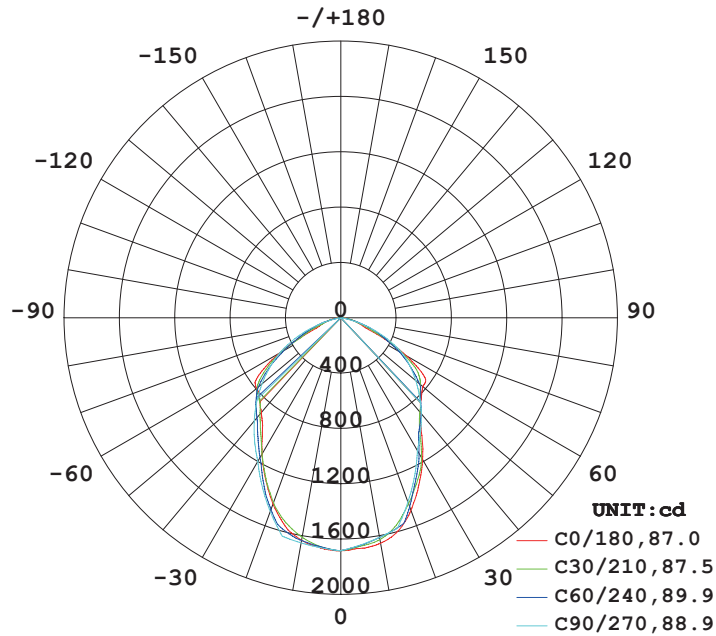
Flux out: 1239 lm



Note: The Curves indicate the illuminated area and the average illumination when the luminaire is at different distance.

**Model: NR-CL103COB-15**

# LUMINOUS INTENSITY DISTRIBUTION DIAGRAM



**AVERAGE BEAM ANGLE (50%) : 88.3 DEG**

## Illuminance at a Distance

Flux out: 2091 lm

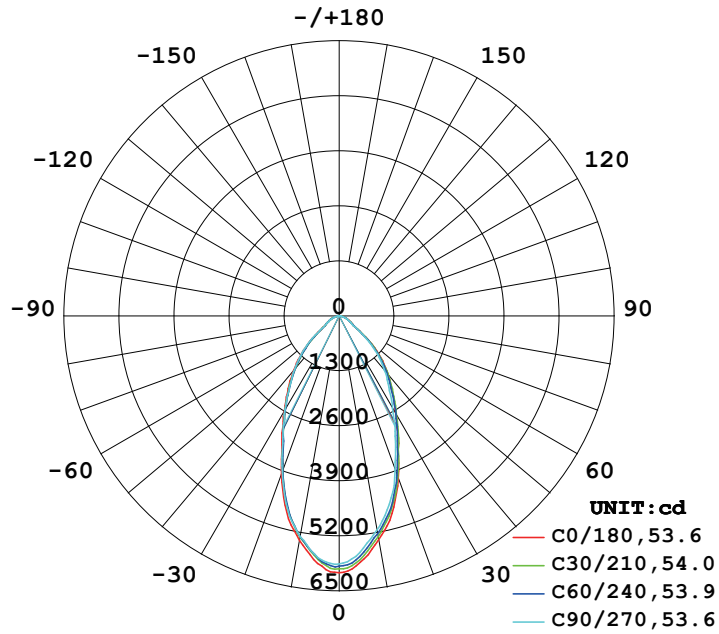
1m	713.9, 1685lx	189.87cm
2m	178.5, 421.2lx	379.74cm
3m	79.32, 187.2lx	569.61cm
4m	44.62, 105.3lx	759.48cm
5m	28.56, 67.39lx	949.36cm
6m	19.83, 46.80lx	1139.23cm
7m	14.57, 34.38lx	1329.10cm
8m	11.15, 26.32lx	1518.97cm
9m	8.813, 20.80lx	1708.84cm
10m	7.139, 16.85lx	1898.71cm

Height                      Eavg, Emax                      Angle: 87.02deg                      Diameter

Note: The Curves indicate the illuminated area and the average illumination when the luminaire is at different distance.

**Model: NR-CL103COB-30**

# LUMINOUS INTENSITY DISTRIBUTION DIAGRAM



**AVERAGE BEAM ANGLE (50%) : 53.8 DEG**

## Illuminance at a Distance

Flux out: 2713 lm

1m	3630, 6070lx	97.44cm
2m	907.4, 1517lx	194.87cm
3m	403.3, 674.4lx	292.31cm
4m	226.9, 379.3lx	389.75cm
5m	145.2, 242.8lx	487.19cm
6m	100.8, 168.6lx	584.62cm
7m	74.07, 123.9lx	682.06cm
8m	56.71, 94.84lx	779.50cm
9m	44.81, 74.93lx	876.94cm
10m	36.30, 60.70lx	974.37cm

Height                      Avg, Emax                      Angle: 51.95deg                      Diameter

Note: The Curves indicate the illuminated area and the average illumination when the luminaire is at different distance.

**Model:NR-CL103COB-60**

