

LED Dimmable Gu10 Lamp Cup

NR-DIMC-5.3 WW

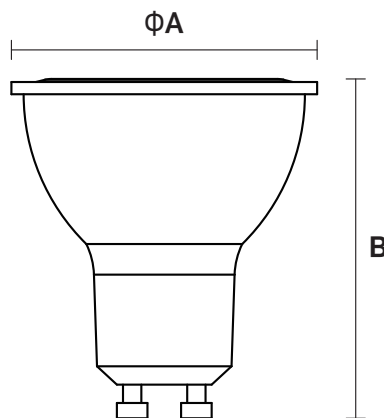
IP20



SocKet GU10	Indoor 	AC 220-240V	50/60 Hz	PF ≥0.5	CCT 3000K	Ra ≥95	IP20	Beam Angel 60°	Chips SMD	
-----------------------	------------	----------------	-------------	------------	--------------	-----------	------	----------------------	--------------	--

Item Code	P(W)	Total Lumen	Beam Angle	Ra	CCT	Dimensions in mm A	B	SocKet	
NR-DIMC-5.3 WW	5.3	300	60°	95	3000K	50	58	GU10	0.04

Dimensions in mm





High quality plastic coated aluminum material



High quality flame retardant material

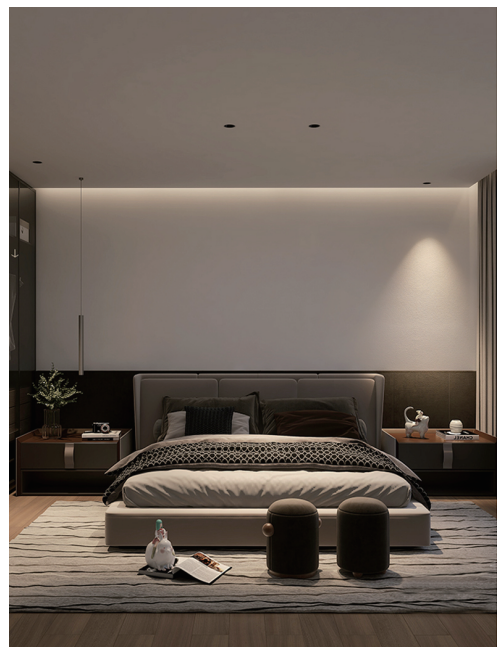
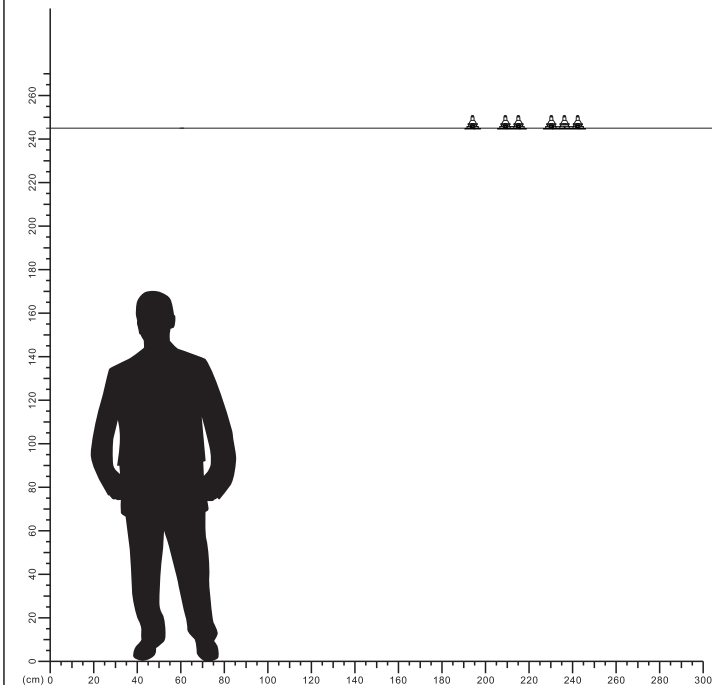


Description:
LED Gu10 Lamp Cup

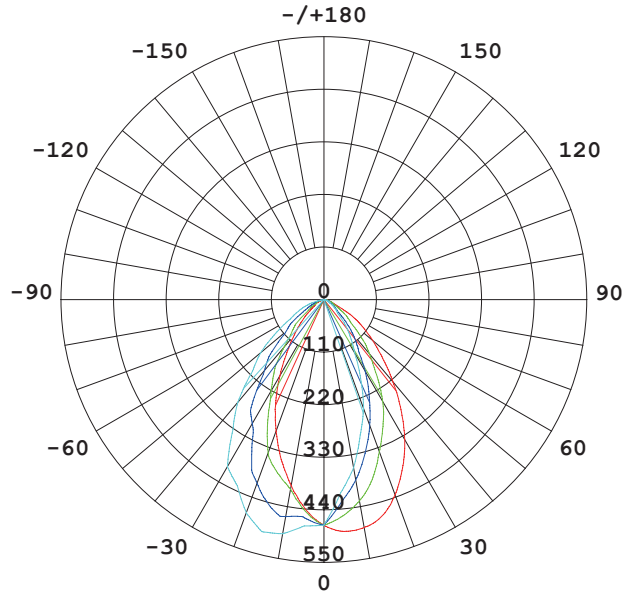
Main material:
Engineering plastics+Aluminum

Specification
Energy saving, up to 85% energy saving
comparing to standard halogen and incandescent
lamps
High quality light, high color rendering, less heat,
no UV or IR radiation
Build-in LED Driver
IP20

Applications
.Shopping mall
.Hotels
.Exhibition hall
.Art hall
.Museums



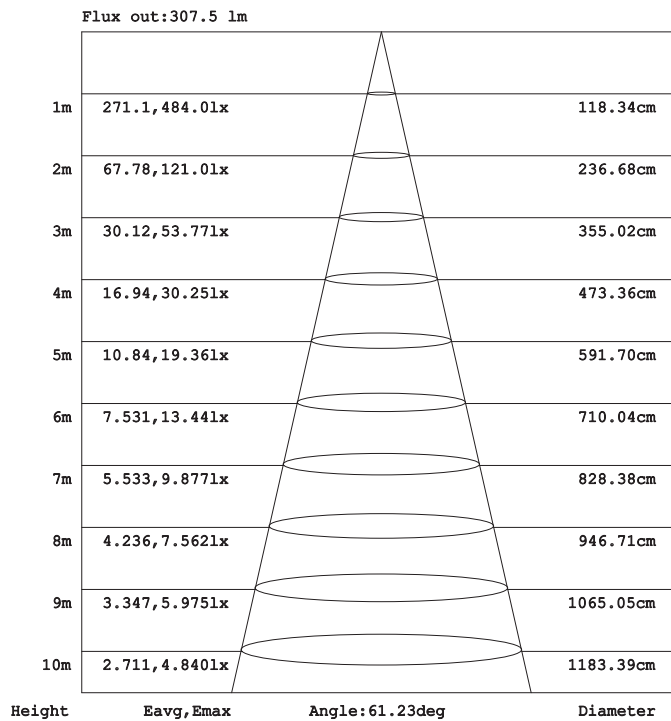
LUMINOUS INTENSITY DISTRIBUTION DIAGRAM

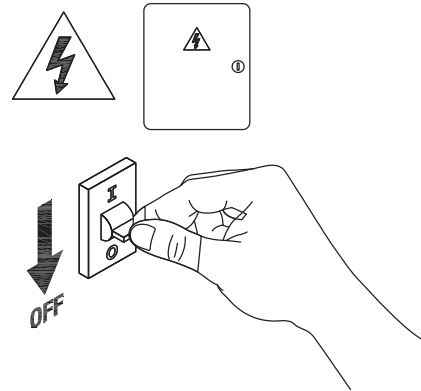
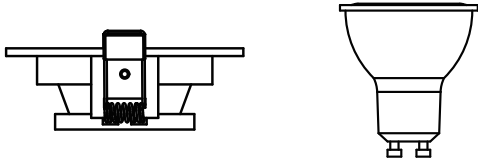


- UNIT : cd**
- C0/180 , 63.0
 - C30/210 , 59.3
 - C60/240 , 60.5
 - C90/270 , 61.2

AVERAGE BEAM ANGLE (50%) : 61.0 DEG

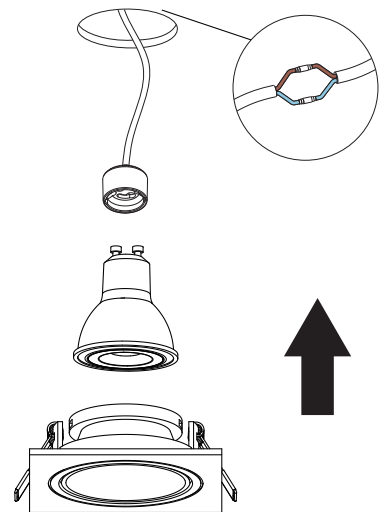
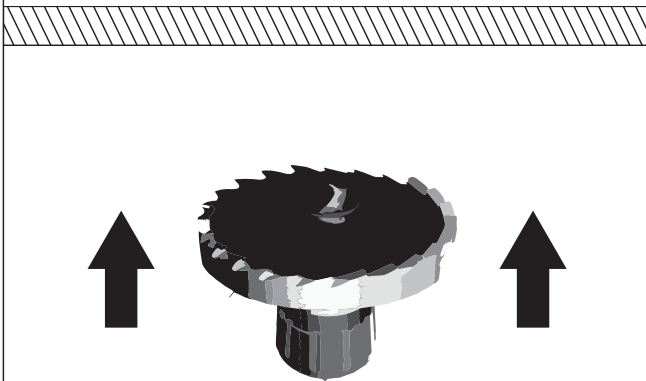
Illuminance at a Distance





1

Turn off The Power

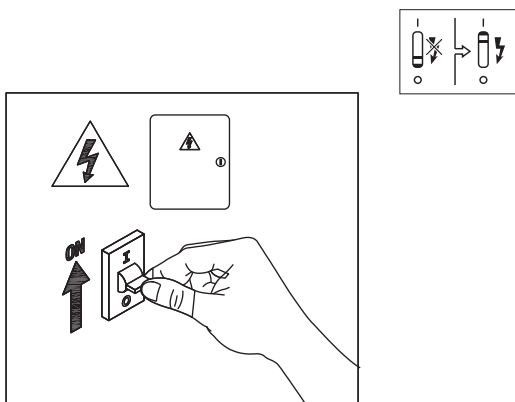


2

Cut a hole on your ceiling

3

Install lamps and wiring



4

Turn on the power

