

LED Emergency Lamp

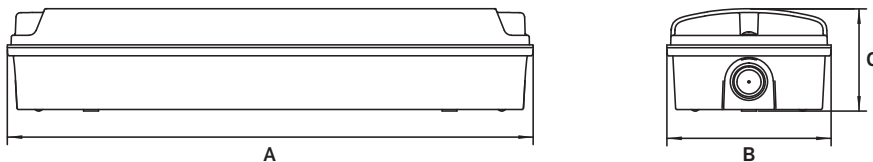
NR-EM105S-8.5W-3H-6500K-IP65
IP65



Outdoor 	AC 220-240V	50/60 Hz	PF ≥0.5	CCT 6500K	Ra ≥80	IP65	Beam Angel 120°	Charging Time ≤24h	Chips SMD	
-------------	----------------	-------------	------------	--------------	-----------	------	-----------------------	--------------------------	--------------	--

Item Code	P(W)	Total Lumen	Battery	Emergency Duration	Dimensions in mm			kg
					A	B	C	
NR-EM105S-8.5W-3H-6500K-IP65	8.5	500	Ni-cd SC3.6V 2Ah	≥3h	352	110	68	0.68

Dimensions in mm

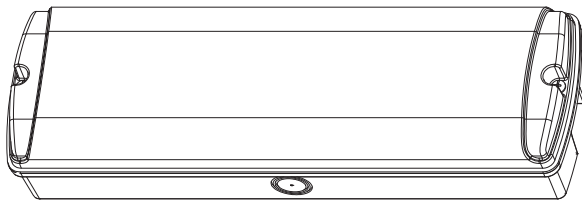




High brightness light source, low power consumption, long life, safe and reliable.



Engineering plastic lamp body, IP65 waterproof design, strong and durable.



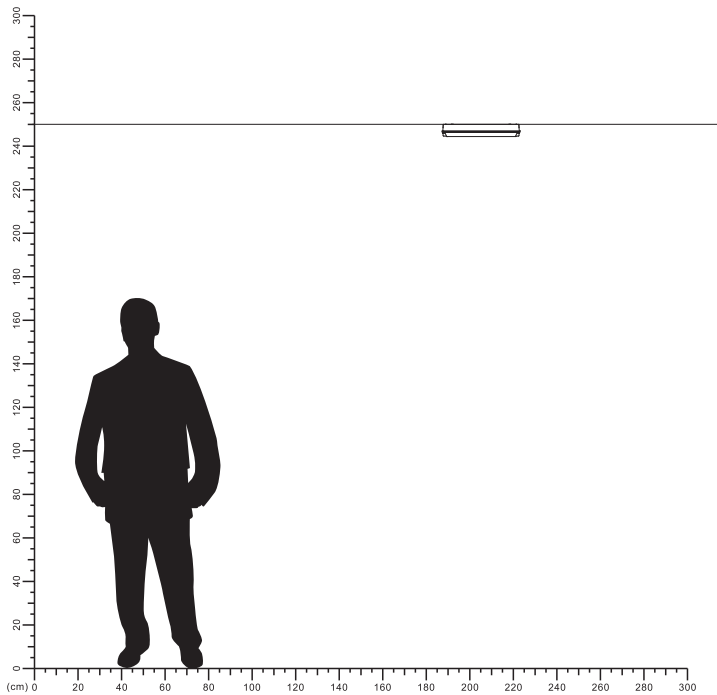
Description:
LED Emergency Lamp

Main material:
Engineering plastic

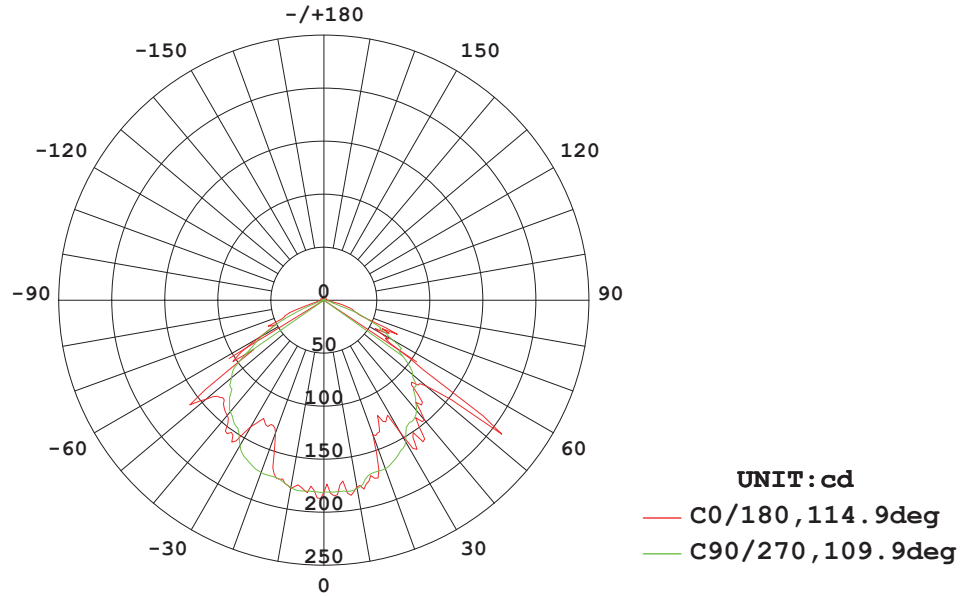
Specification
Rectangular emergency lamp, can be use the built-in battery as emergency lighting. Charging time ≤ 24 hours, use battery emergency lighting time ≥ 3 hours. IP65

Applications

- . Factory
- . Warehouse
- . Corridor

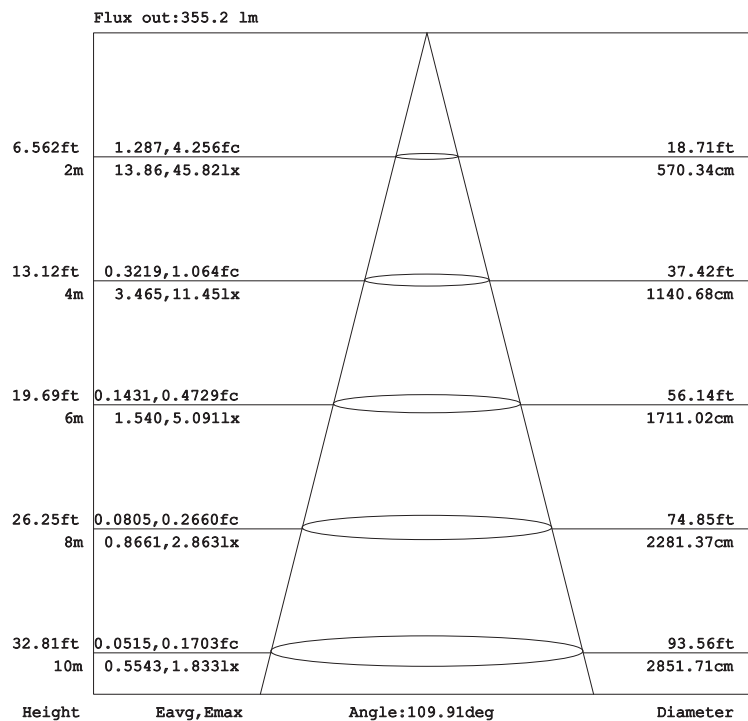


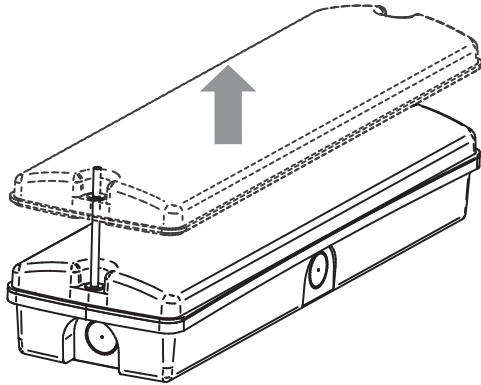
LUMINOUS INTENSITY DISTRIBUTION DIAGRAM



AVERAGE BEAM ANGLE (50%) : 112.4 DEG

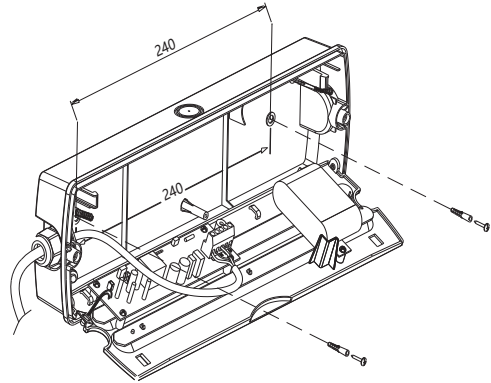
Illuminance at a Distance





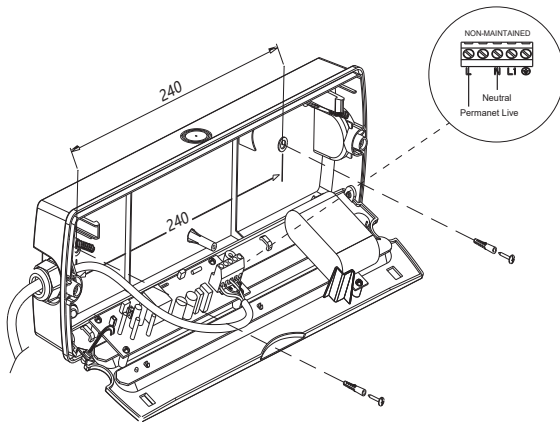
1

take off the cover.



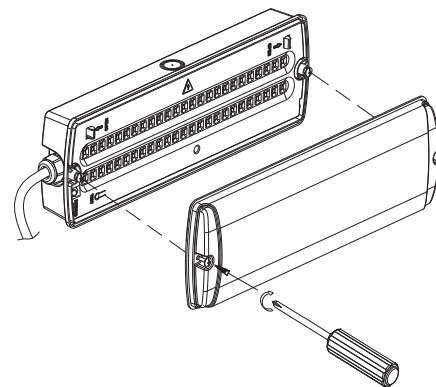
2

Fix the lamp to the wall.



3

Connect the cable.



4

Install the cover, then finish installation.

