

LED Emergency Lamp

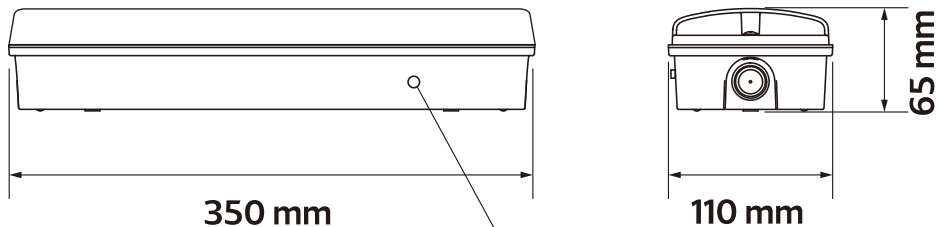
NR-EM112S-3.5W-3H
IP65



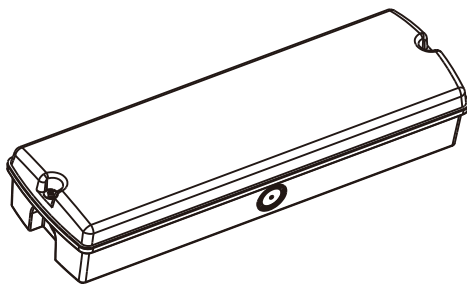
Outdoor 	AC 220-240V	50/60 Hz	CCT 6500K	Ra ≥80	Charging Time ≤24h	Battery LiFePO4 26650 3.2V 3000mAh	Beam Angel 120°		Chips SMD	
--------------------	-----------------------	--------------------	---------------------	------------------	------------------------------	---	---------------------------	--	----------------------------	--

Item Code	P(W)	Emergency Power	Total Lumen	Emergency lumen	Emergency Duration	Fuse installed or replaced	
NR-EM112S-3.5W-3H	3.5W	2W	400lm	350lm	≥3h	1A/3.15A250V	0.65

Dimensions in mm



The red button is the test switch. When it is pressed, the lamp enters emergency mode, and it will turn back to normal mode if released.

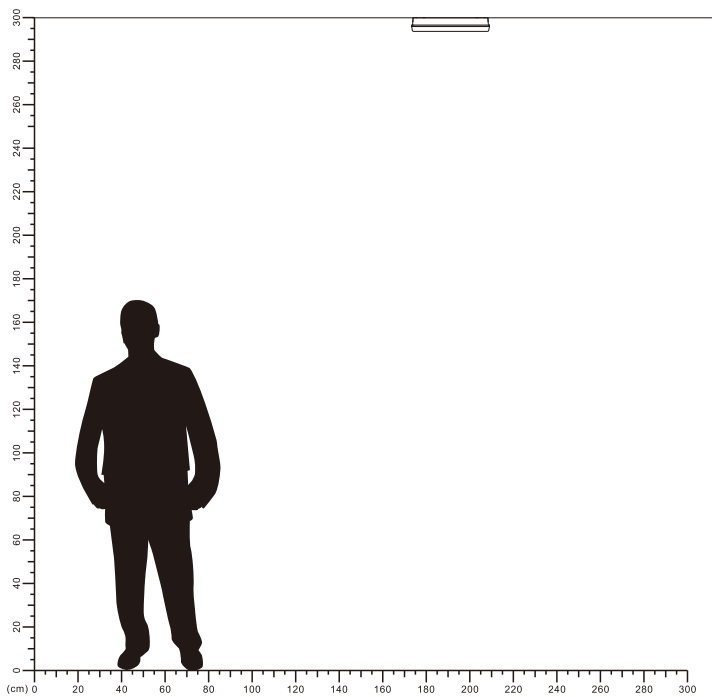


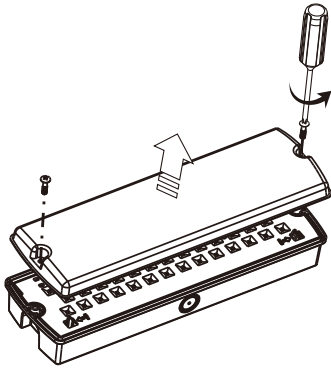
Description:
LED Emergency Lamp

Main material:
PC

Specification
Rectangular emergency lamp, can be use the built-in battery as emergency lighting. Charging time ≤ 24 hours, use battery emergency lighting time ≥ 3 hours. IP65

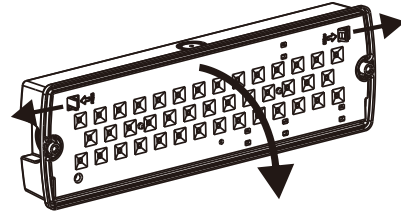
Applications
 . Factory
 . Warehouse
 . Corridor





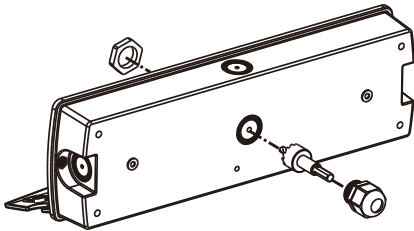
1

Twist off the two screws and open the diffuser



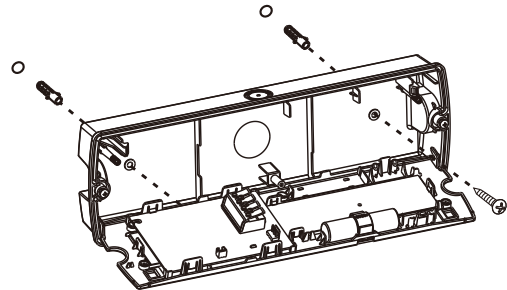
2

Pull open the fixing hooks to open the middle plate



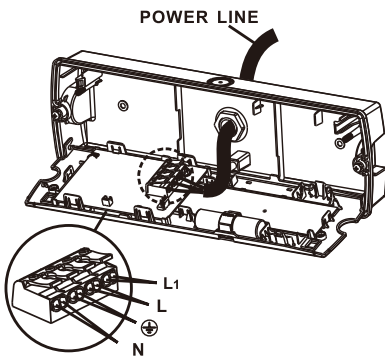
3

Use a tool to open the entry hole at the bottom of base



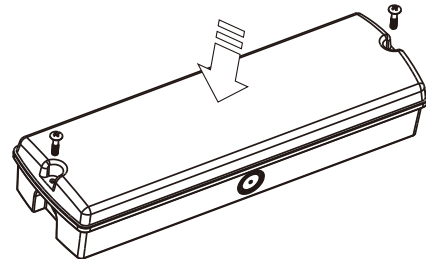
4

Fix the fitting on the ceiling or wall



5

Connect the power cord and battery connector



6

Install the face cover and screw it

