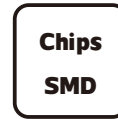
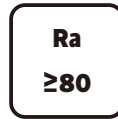


LED Outdoor Flood Lamp

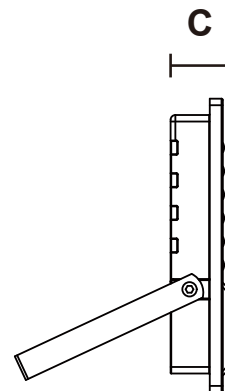
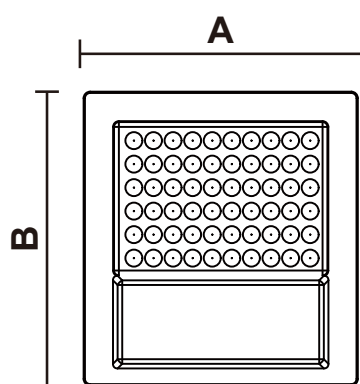
NR-FL103S Series

IP65



Item Code	P(W)	Color	CCT(K)	Total Lumen	LM/W	Beam Angle	Dimensions in mm			kg
							A	B	C	
NR-FL103S-50	50	Black/White	6500/4000/3000	5360	107.2	60°	225	210	45	1.2
NR-FL103S-100	100	Black/White	6500/4000/3000	10600	106	60°	320	285	50	2.3
NR-FL103S-150	150	Black/White	6500/4000/3000	17000	113.3	60°	375	335	50	3.4
NR-FL103S-200	200	Black/White	6500/4000/3000	20200	101	60°	412	382	60	4.6

Dimensions in mm

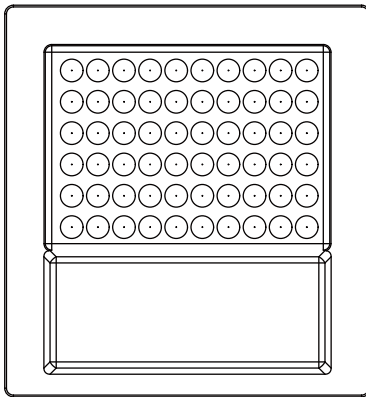




Aluminum die-casting molding, strong and durable, the surface treatment of the lacquer that bake, anticorrosive anti rust



Thorns heat dissipationTechnology of air convection, the heat dispersion of the LED chip, chip temperature stable

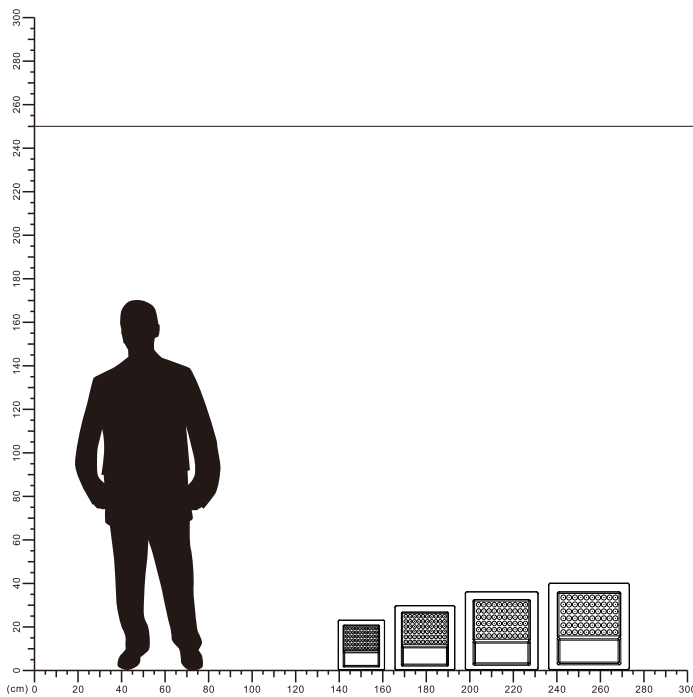


Description:
LED Outdoor Flood Lamp

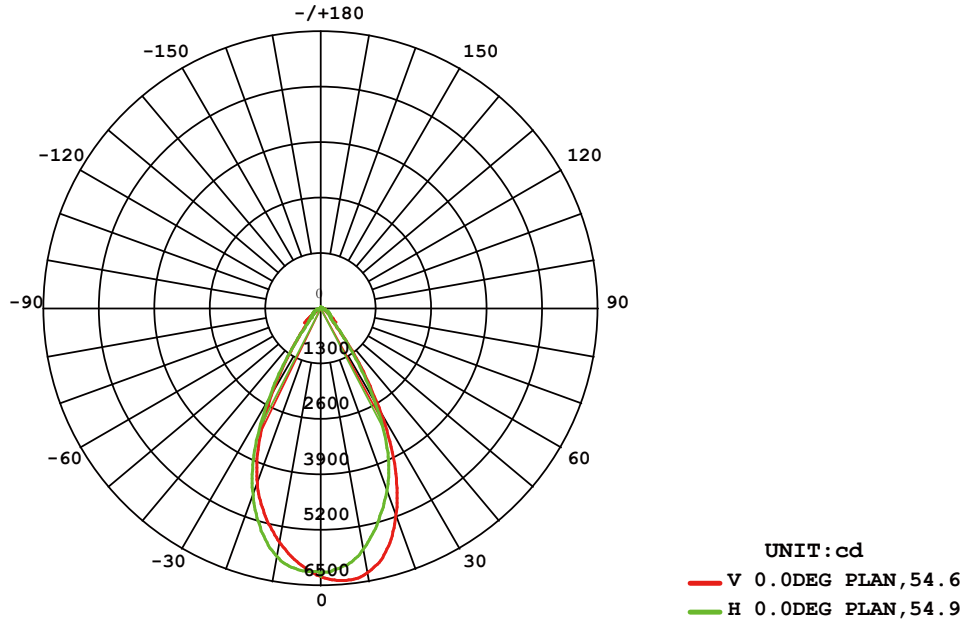
Main material:
.Die- cast aluminum,Engineering plastic+glass

Specification
.Energy saving, up to 85% energy saving comparing to standard halogen and incandescent lamps
.High quality light, high color rending, lessheat,no UV or IR radiation
.LED driver is included
IP65

Applications
.Lawn
.Garden
.Building external wall

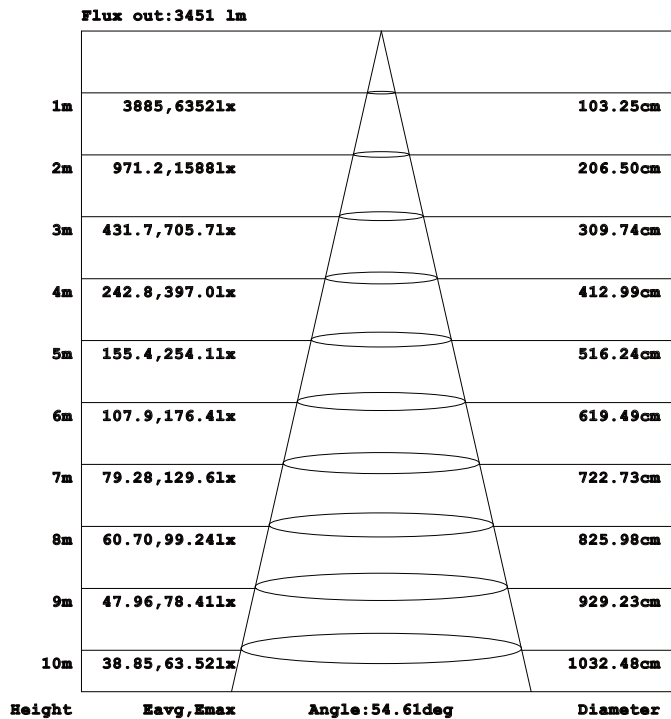


LUMINOUS INTENSITY DISTRIBUTION DIAGRAM



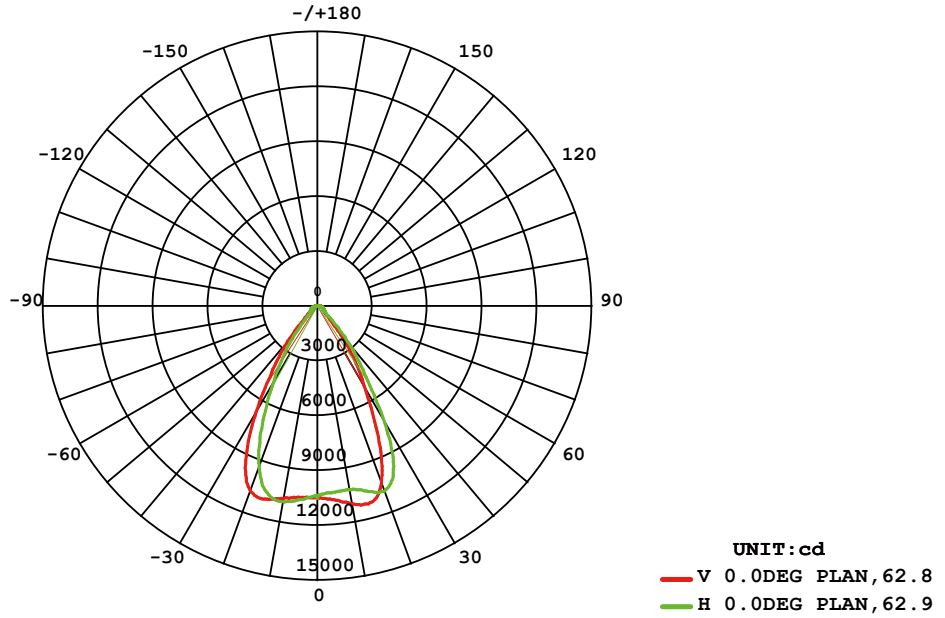
AVERAGE BEAM ANGLE (50%) : 54.8 DEG

Illuminance at a Distance



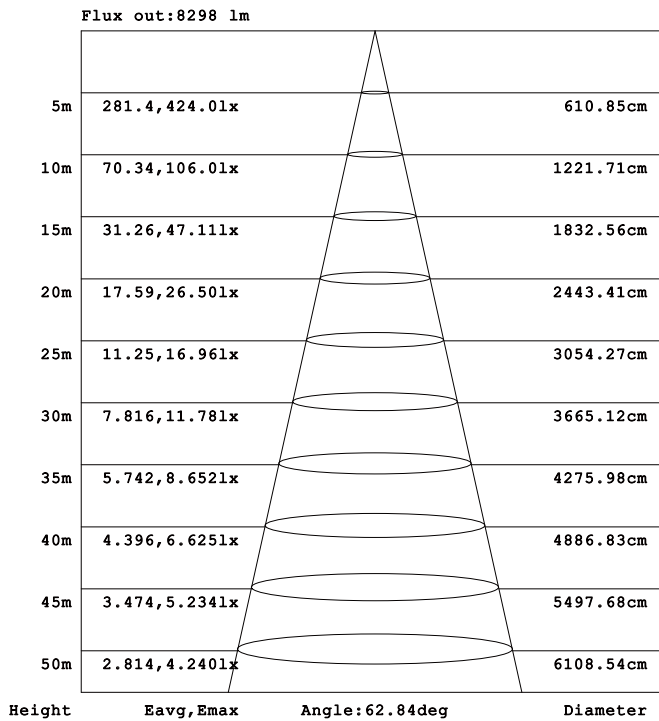
Model:NR-FL103S-50

LUMINOUS INTENSITY DISTRIBUTION DIAGRAM



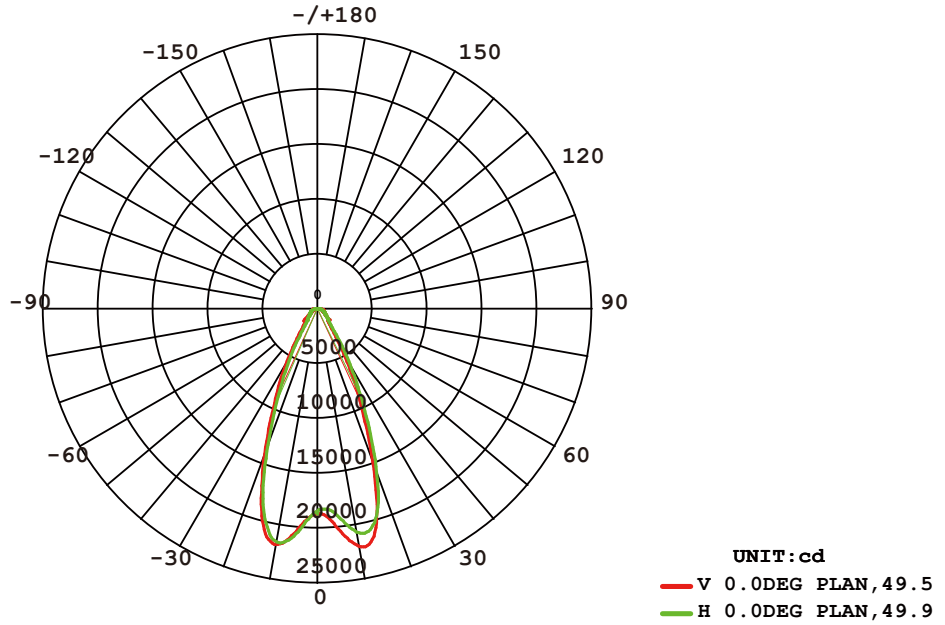
AVERAGE BEAM ANGLE (50%) : 62.9 DEG

Illuminance at a Distance



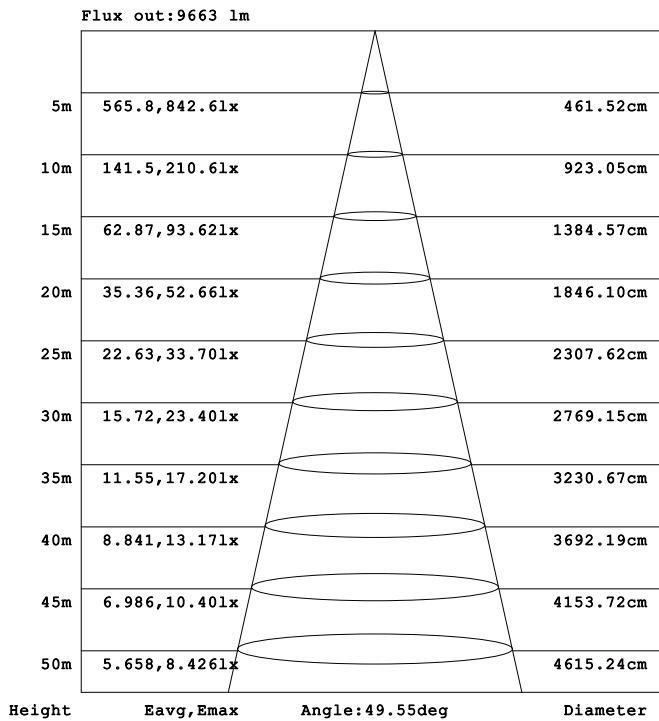
Model:NR-FL103S-100

LUMINOUS INTENSITY DISTRIBUTION DIAGRAM



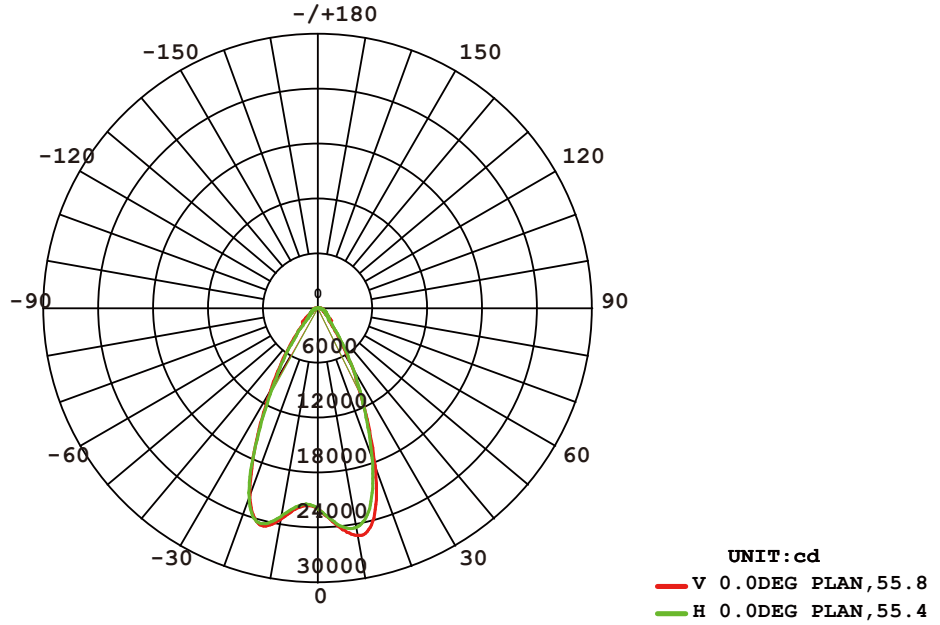
AVERAGE BEAM ANGLE (50%) : 49.7 DEG

Illuminance at a Distance



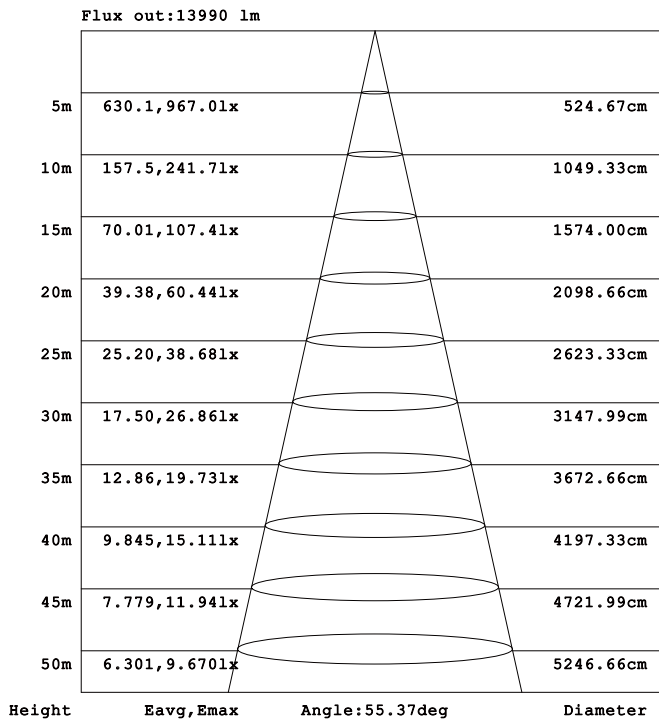
Model:NR-FL103S-150

LUMINOUS INTENSITY DISTRIBUTION DIAGRAM

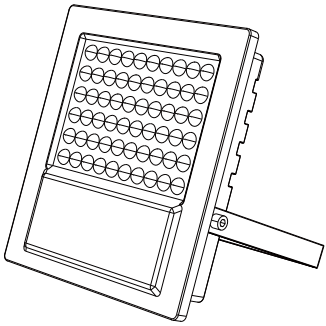
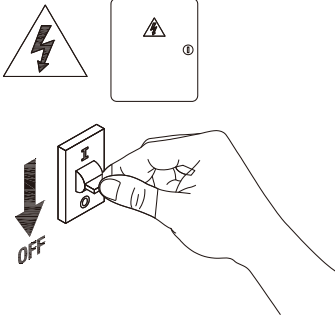
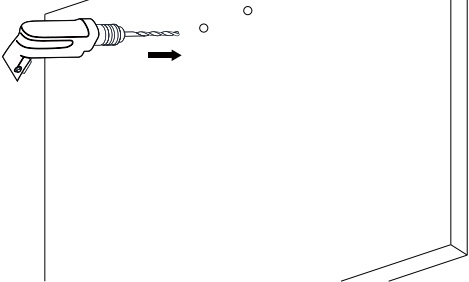
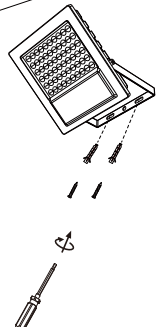
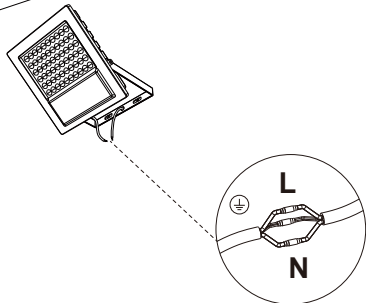
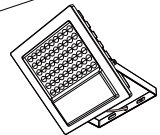
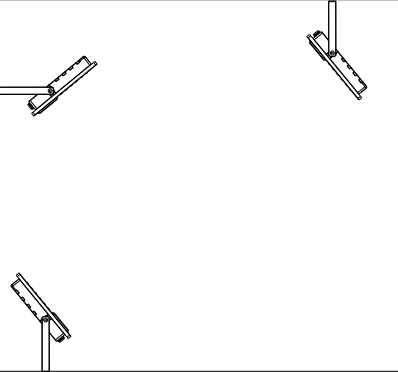
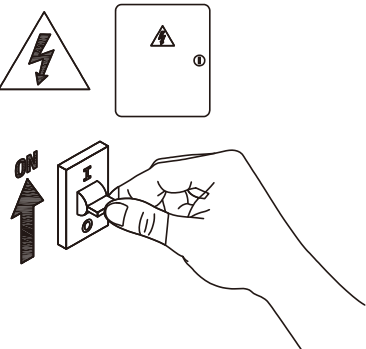


AVERAGE BEAM ANGLE (50%) : 55.6 DEG

Illuminance at a Distance



Model: NR-FL103S-200

 <p>1</p>	 <p>2 Turn off the power</p>
 <p>3 Drill two screw holes on the wall</p>	 <p>4 Mount bracket on wall</p>
 <p>5 Connect cable</p>	 <p>6 Installation completed</p>
 <p>7 Three installation methods</p>	 <p>8 Turn on power</p>

