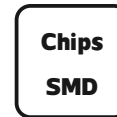
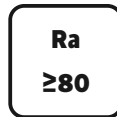


## LED FLOOD LIGHT

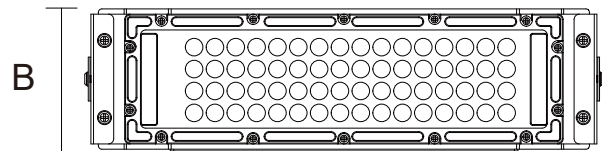
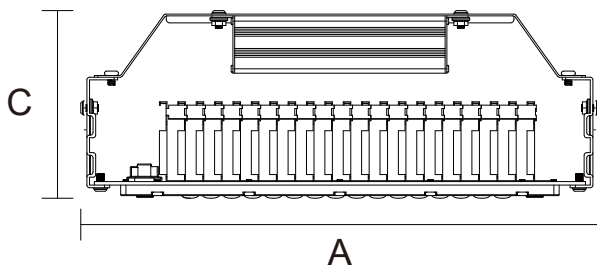
NR-FL105-50

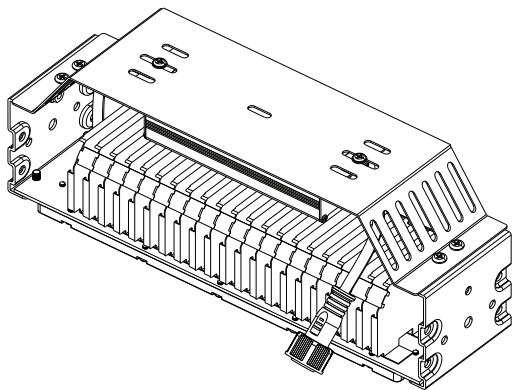
IP65



| Item Code   | P (W) | Beam angle | Output (lm) | lm/w  | Dimensions in mm |    |     | kg   |
|-------------|-------|------------|-------------|-------|------------------|----|-----|------|
|             |       |            |             |       | A                | B  | C   |      |
| NR-FL105-50 | 50    | 90°        | 5360        | 107.2 | 285              | 82 | 105 | 0.82 |

### Dimensions in mm





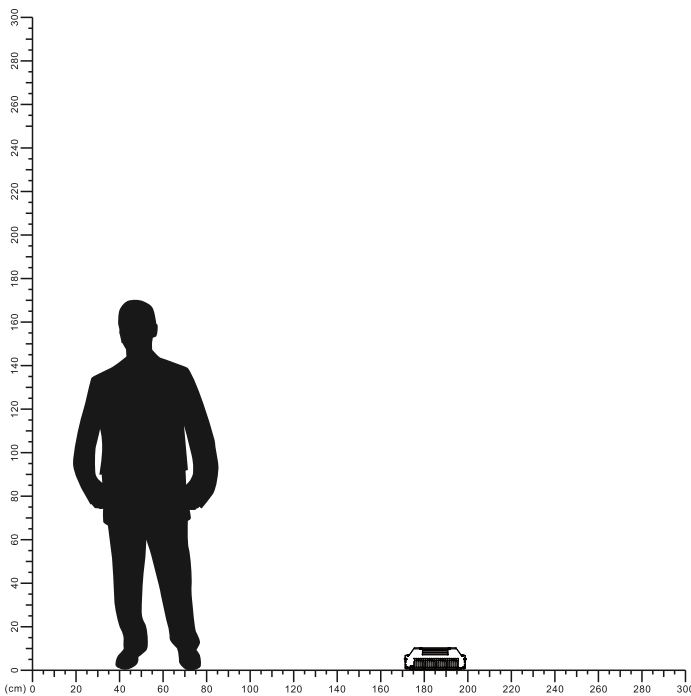
**Description:**  
LED FLOOD LIGHT


**Main material:**  
Die-cast aluminum+PC

**Specification**  
Aviation aluminum shell, no corrosion, no rust, Glass lens, natural light without light spot, The base is firmly fixed and will not fall over  
IP 65

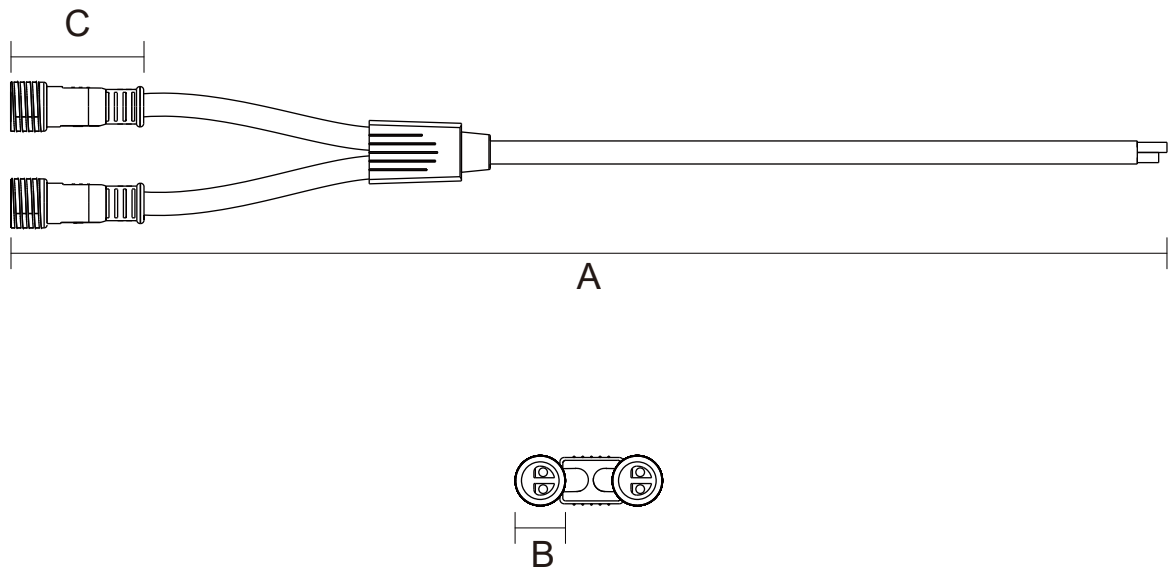
**Applications**  

- . Park
- . Square
- . Corridor
- . Tunnel

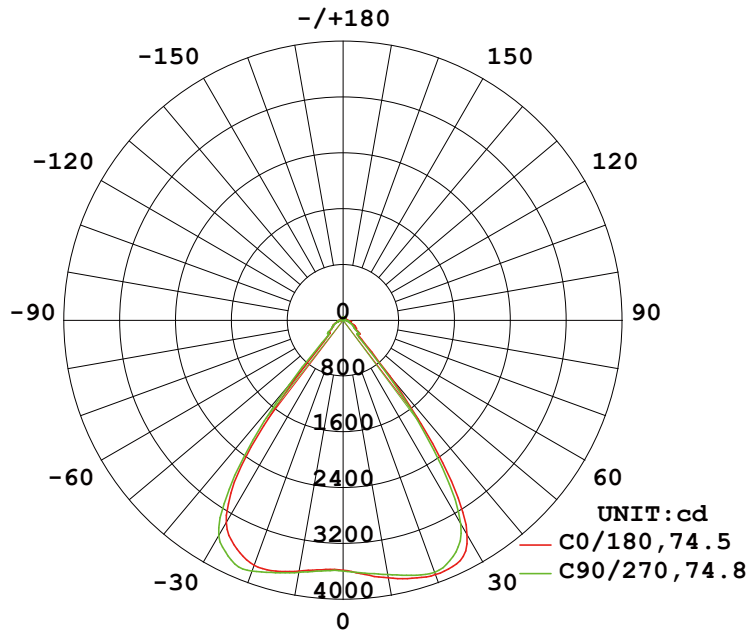


| Item Code         | Dimensions in mm |     |    |  |
|-------------------|------------------|-----|----|---|
|                   | A                | B   | C  |   |
| NR-FL105-Plug-1-2 | 550              | Ø18 | 45 | 0.09  |

Dimensions in mm

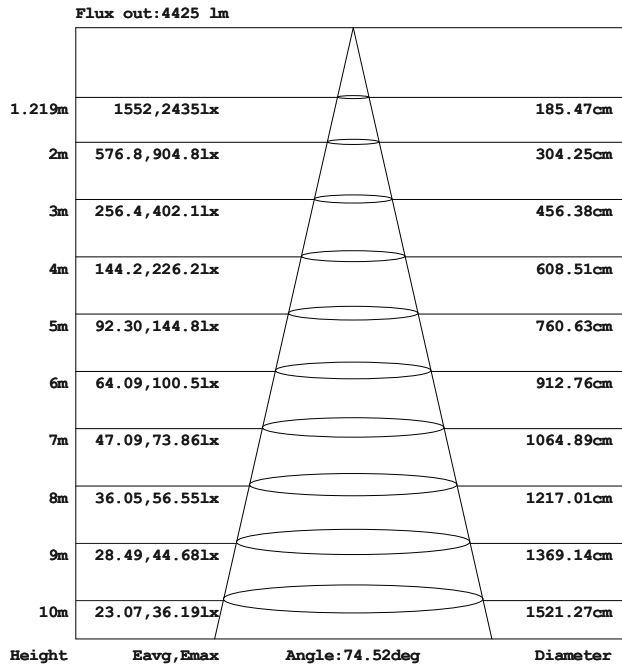


# LUMINOUS INTENSITY DISTRIBUTION DIAGRAM

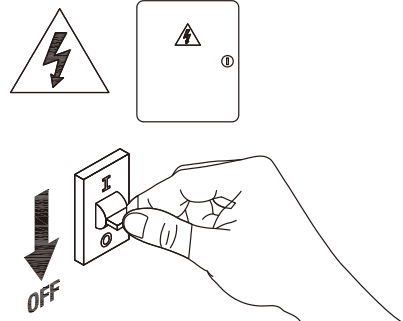
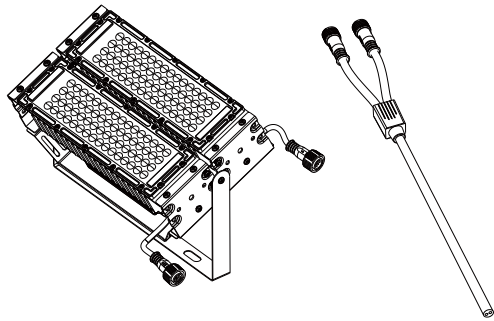


AVERAGE BEAM ANGLE (50%) : 74.7 DEG

## Illuminance at a Distance



Note: The Curves indicate the illuminated area and the average illumination when the luminaire is at different distance.



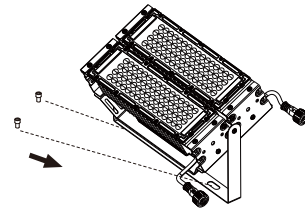
**1**

Turn off the power



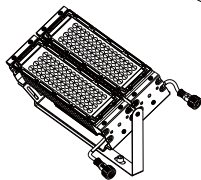
**2**

Punch two holes in the ground



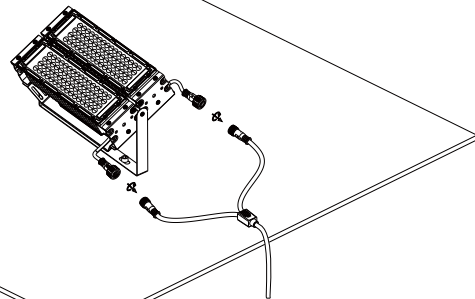
**3**

Install on the ground with two screws



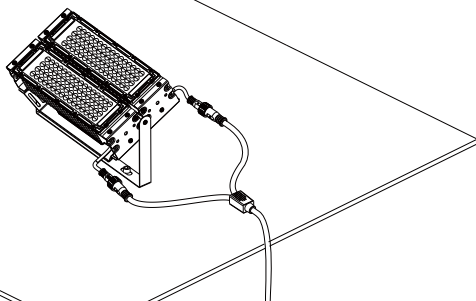
**4**

Installation completed on the ground



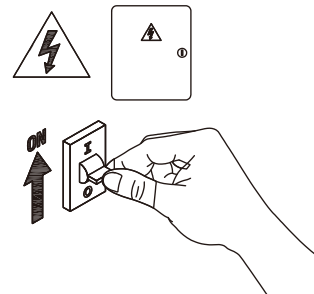
**5**

Connecting cable



**6**

installation completed



**7**

Turn on the power

