

## Lamp Accessories

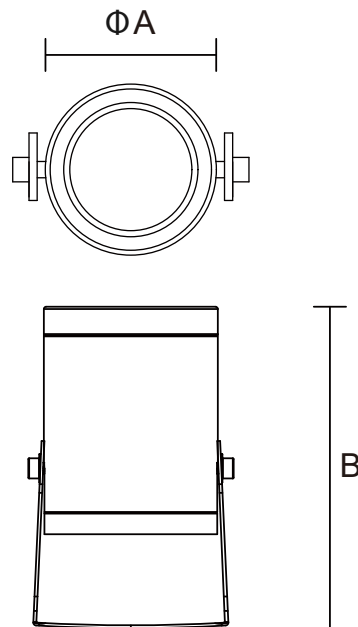
NR-FL108-MR11

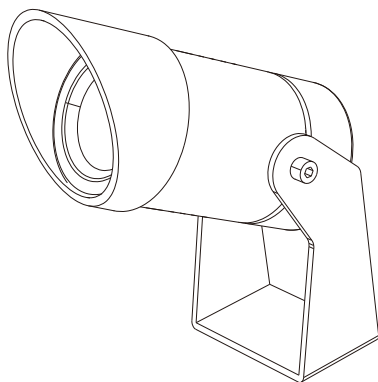
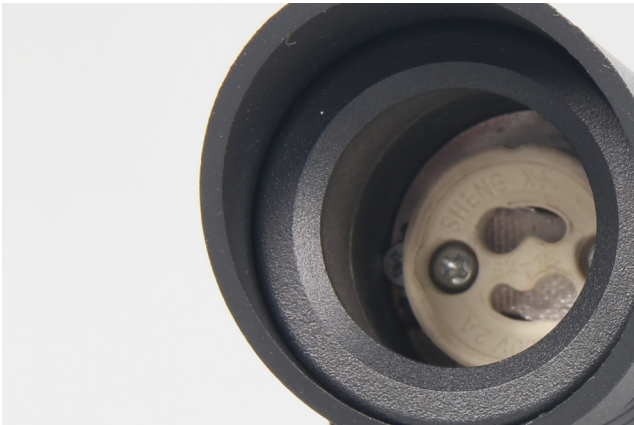
IP65



Item Code	Socket	Dimensions in mm		kg
		A	B	
NR-FL108-MR11	GU10	Φ45	115	0.32

### Dimensions in mm





**Description:**  
LAMP ACCESSORIES

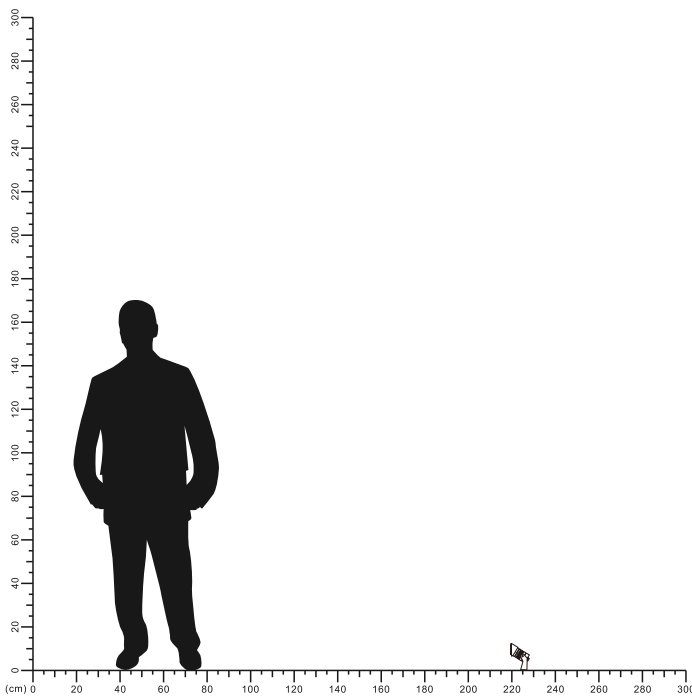
**Main material:**  
Aluminum+Glass

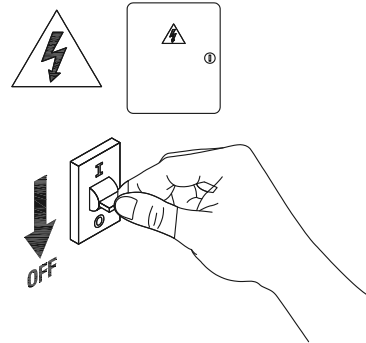
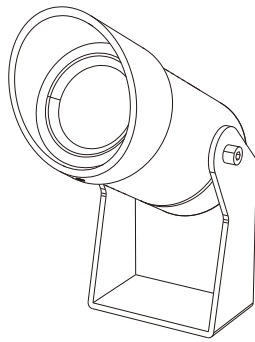
**Specification**

1. Fashionable simplicity: Classic modernist design, simple and generous lamp body, suitable for various decoration styles.
2. Texture material: Adopt high-quality materials, the surface is processed by special technology, which has texture and is easy to clean.
3. Multiple lights: Unique design concept, multiple light effects to choose from, both beautiful and practical.
4. Easy installation: The lamp holder adopts a user-friendly installation design, which is convenient, quick, time-saving and labor-saving.

**Applications**

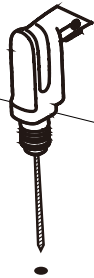
. Park . Square . Tourist attraction . Corridor





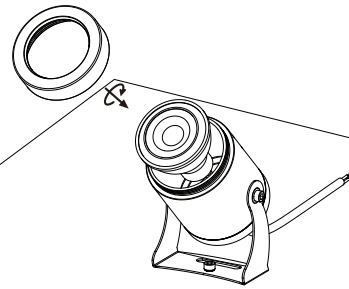
**1**

**Turn off The Power**



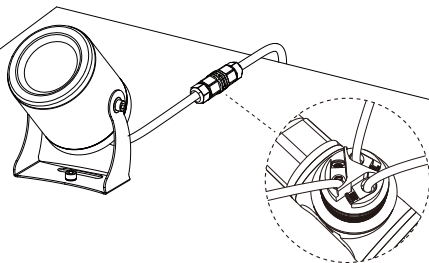
**2**

**Drill one holes on your wall**



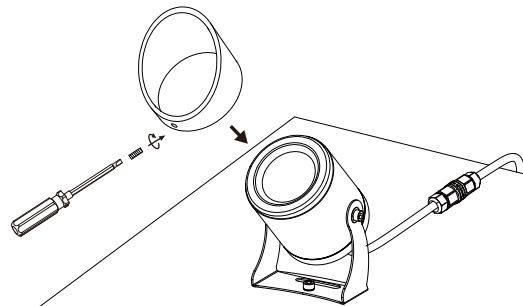
**3**

**Install MR11 GU10 light source and cover**



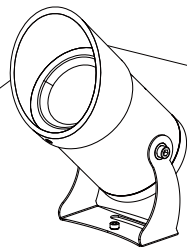
**4**

**Connect the cable**



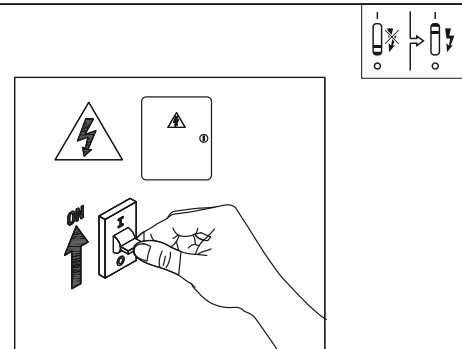
**5**

**Lock the visor**



**6**

**Installation completed**



**7**

**Turn on the power**

