

GU10 Surface Frame

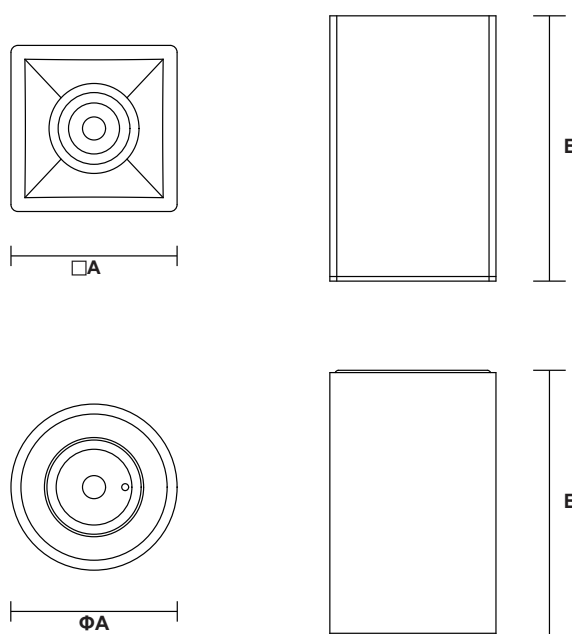
NR-FR109 Series

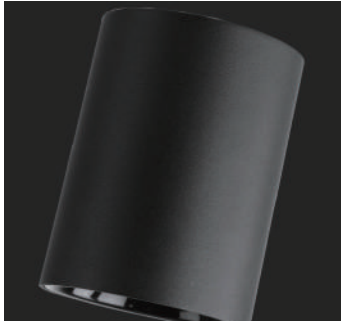
IP20



Item Code	Match Lamp Fitting	Color	Shape	Dimensions in mm		
				A	B	
NR-FR109-SURFACE	GU10/MR16	White	Round	73	113	0.175
NR-FR109-SURFACE	GU10/MR16	Black	Round	73	113	0.175
NR-FR109-SURFACE-SQ	GU10/MR16	White	Square	73	113	0.25
NR-FR109-SURFACE-SQ	GU10/MR16	Black	Square	73	113	0.25

Dimensions in mm





Avoid opening simple installation to reduce damage to the ceiling Two positioning screw holes, screws, powerful card buckle Knob, secure, and reduce the damage to the ceiling.



Diversified selection of anti-glare cups



Description:

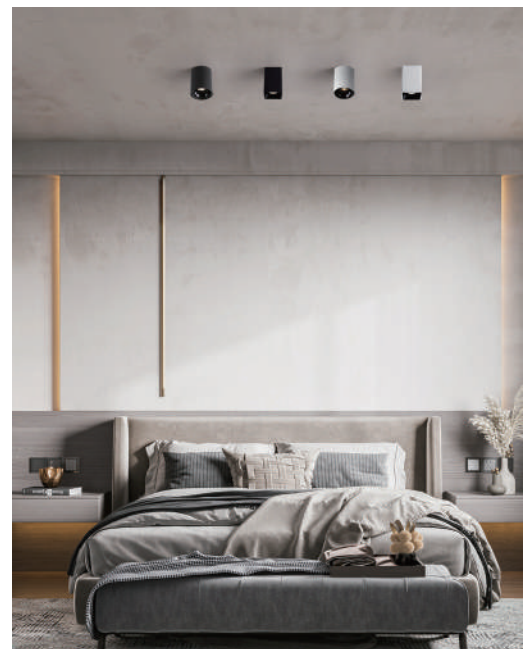
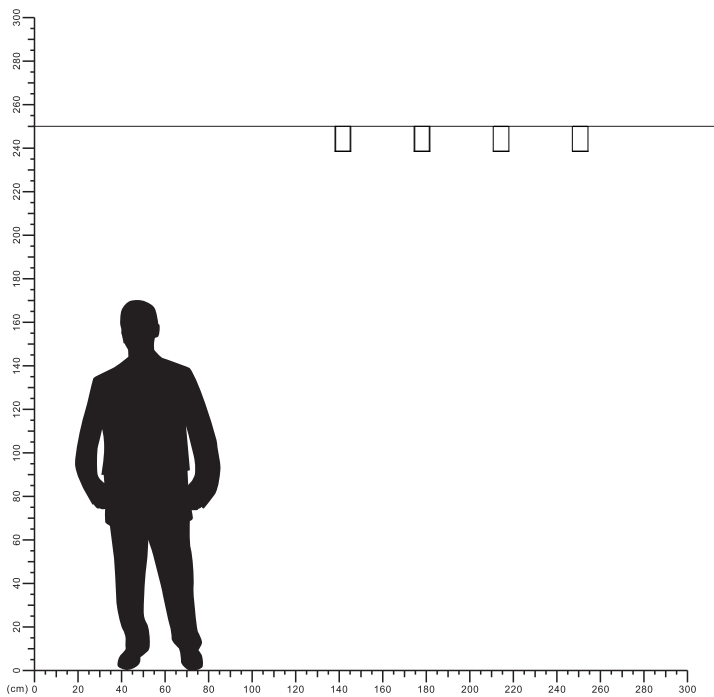
GU10 Frame

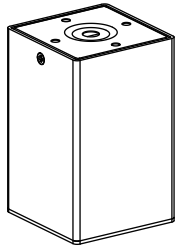
Main material:

Engineering plastic high quality reflector for soft and comfortable light.

Applications

- . Shopping mall
- . Office buildings
- . Exhibition hall

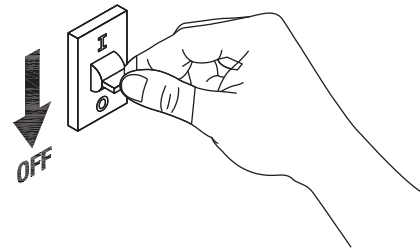
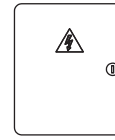
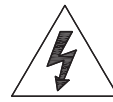




X 2
Setscrews

X 2
Self-tapping screws

X 2
Screws (on the back of panel)

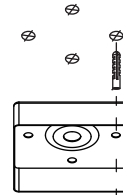


1

Turn off The Power

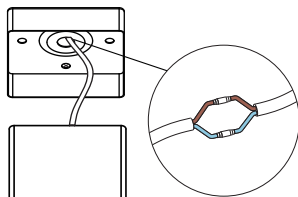


Drill holes in the ceiling



3

Drive the tapping screw through the bottom shell into the retaining screw

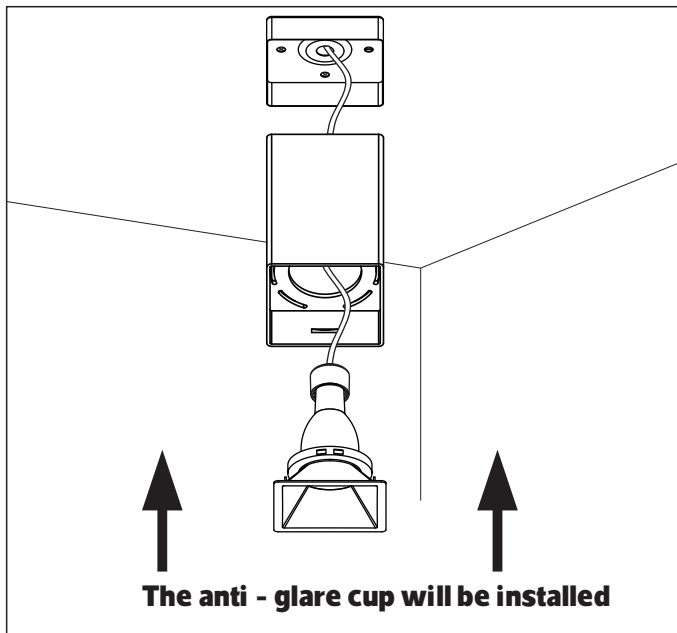


The input wire goes through the housing and installs the product

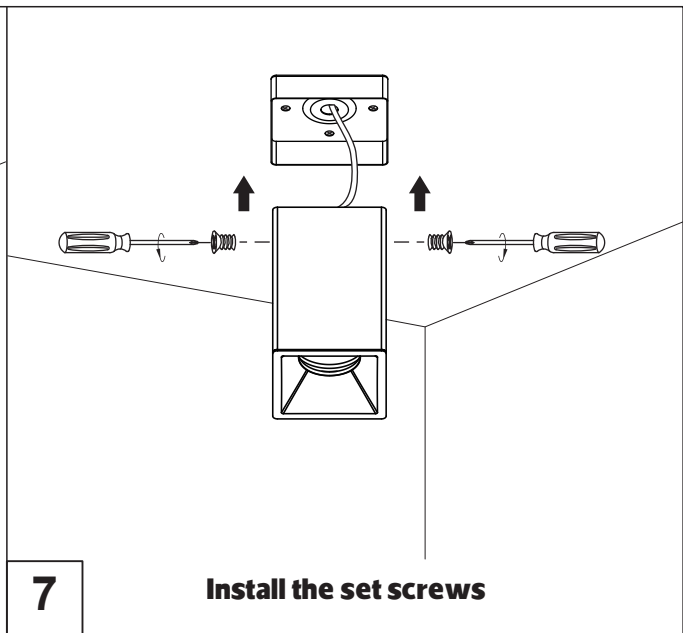


5

Install the anti-glare cup

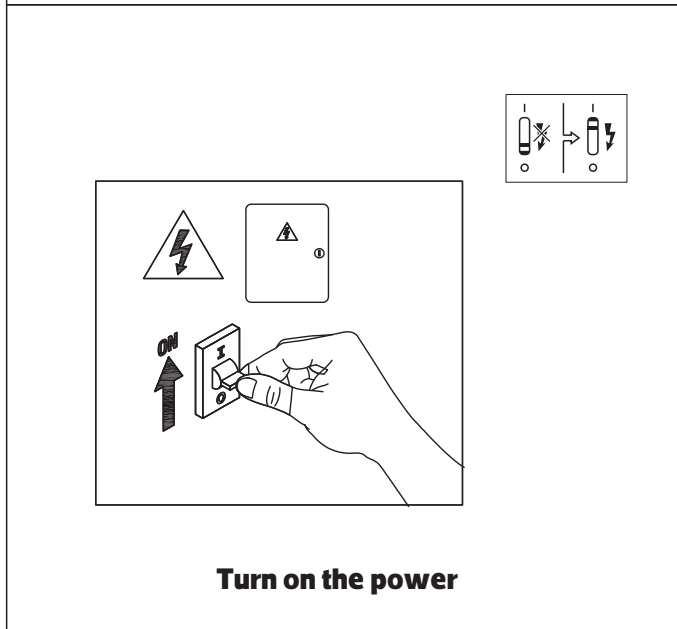


The anti - glare cup will be installed



7

Install the set screws



Turn on the power

