

GU10 Frame

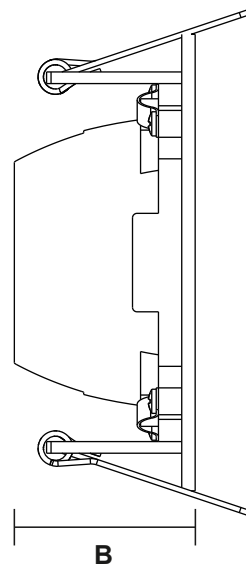
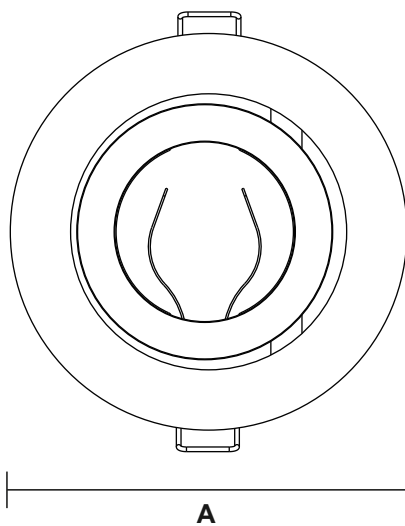
NR-FR360-GU10

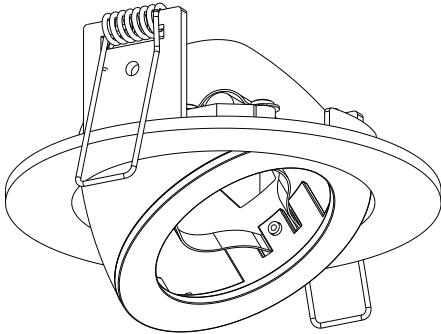
IP20



Item Code	Match Lamp	Color	Dimensions in mm		Hole Size (mm)	kg
			A	B		
NR-FR360-GU10	GU10	Black/White	Φ102	42	Φ95	0.09

Dimensions in mm

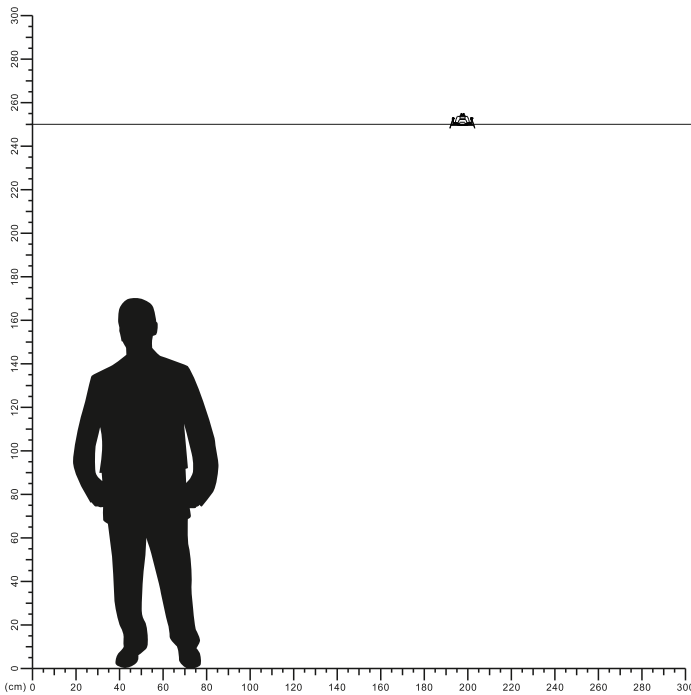


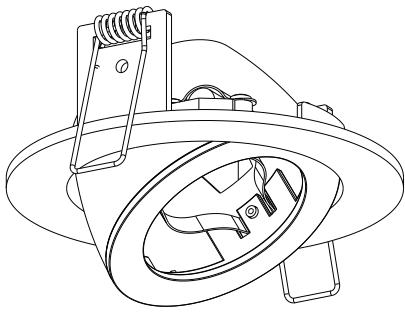


Description:
NR-FR360-GU10

Main material:
Die-cast aluminum and comfortable light.

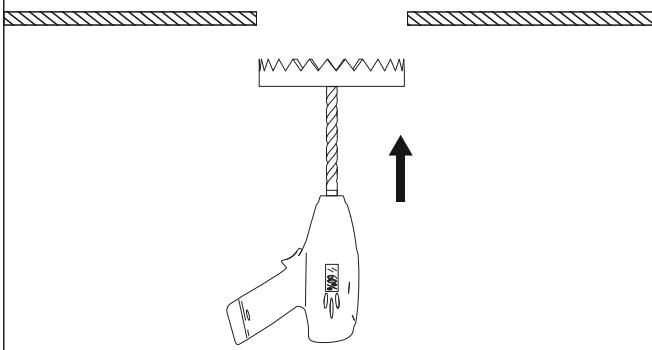
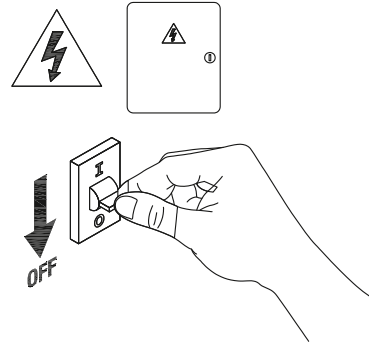
- Applications**
- . Shopping mall
 - . Office buildings
 - . Exhibition hall





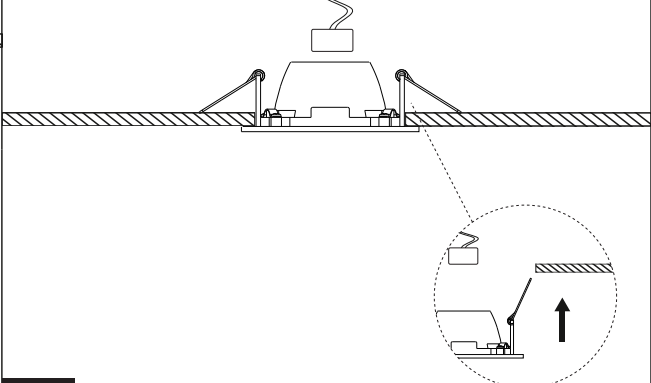
1

Turn off The Power



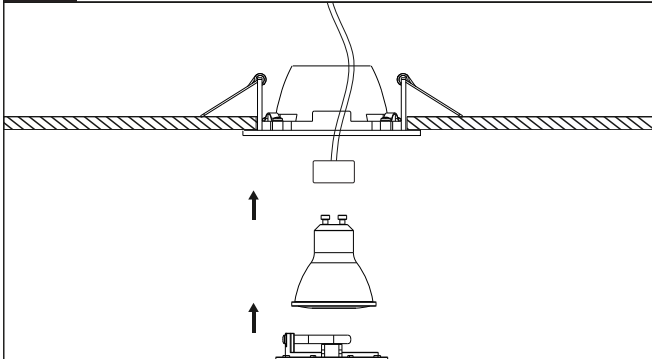
2

Cut a hole in the ceiling



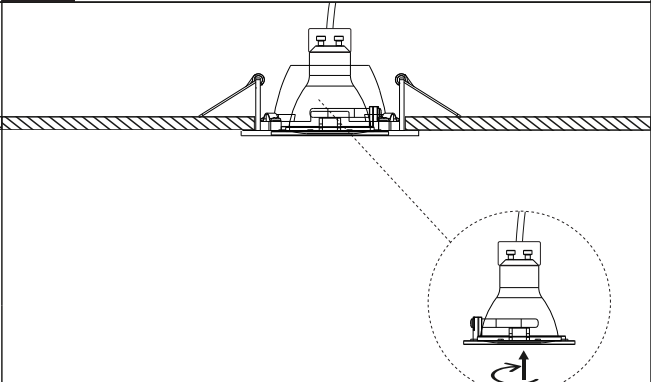
3

Buckle automatically fall down



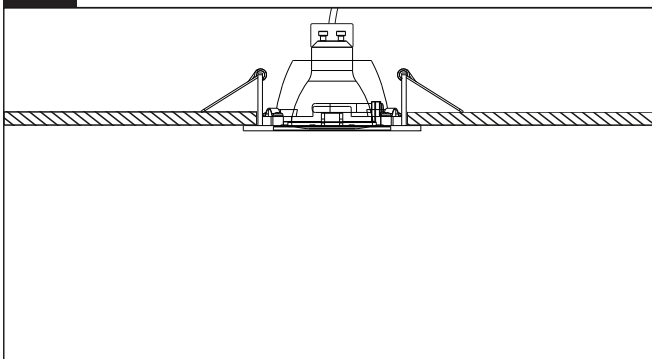
4

Snap the LED cup into the outer ring and Then put in the Lamp cup base



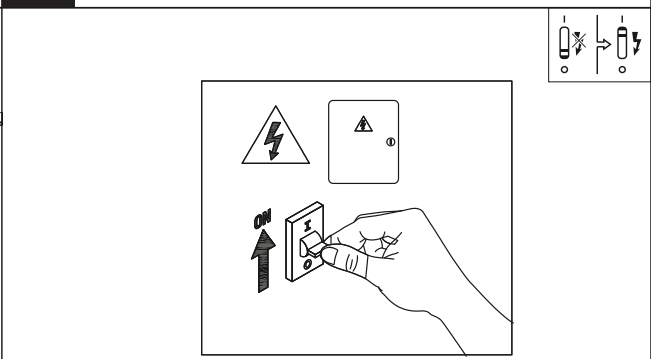
5

Rotate 90 degrees and put in the lamp frame



6

installaion is complete



7

Turn on the power

