

## LED Gu10 Lamp Cup

NR-G10-5-8030

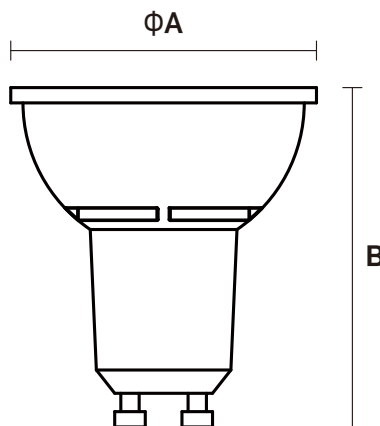
IP20



<b>SocKet</b> <b>GU10</b>	<b>Indoor</b> 	<b>AC</b> 100-240V	<b>50/60</b> Hz	<b>PF</b> ≥0.5	<b>CCT</b> 3000K	<b>Ra</b> ≥80	<b>IP20</b>	<b>Beam Angel</b> 12°/15°	<b>Chips</b> <b>SMD</b>	
------------------------------	-------------------	-----------------------	--------------------	-------------------	---------------------	------------------	-------------	------------------------------	----------------------------	--

Item Code	P(W)	Total Lumen	Beam Angle	Ra	CCT	Dimensions in mm		SocKet	
						A	B		
NR-G10-5-8030	5.3	380	12°	80	3000K	50	58	GU10	0.04
NR-G10-5-8030-15D	5.3	380	15°	80	3000K	50	58	GU10	0.04

### Dimensions in mm





Small beam Angle



High quality flame retardant material

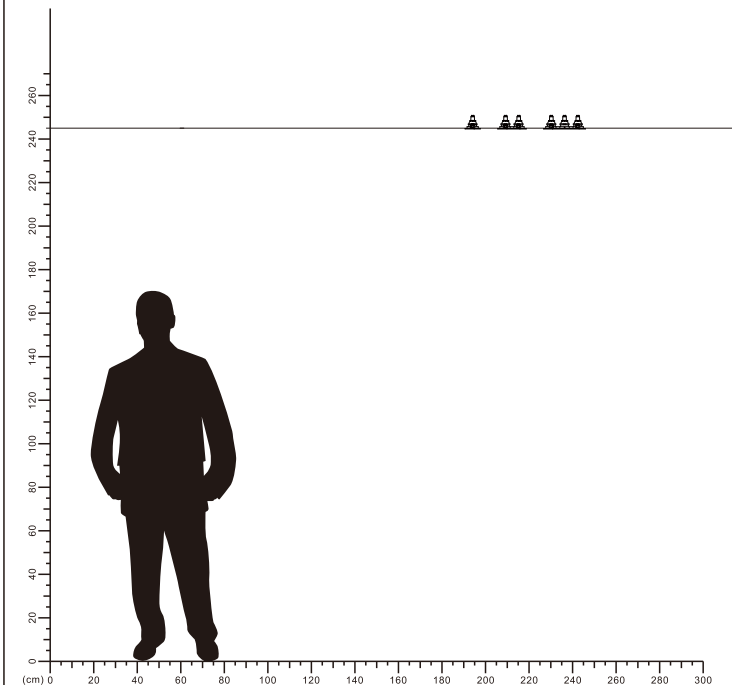


**Description:**  
LED Gu10 Lamp Cup

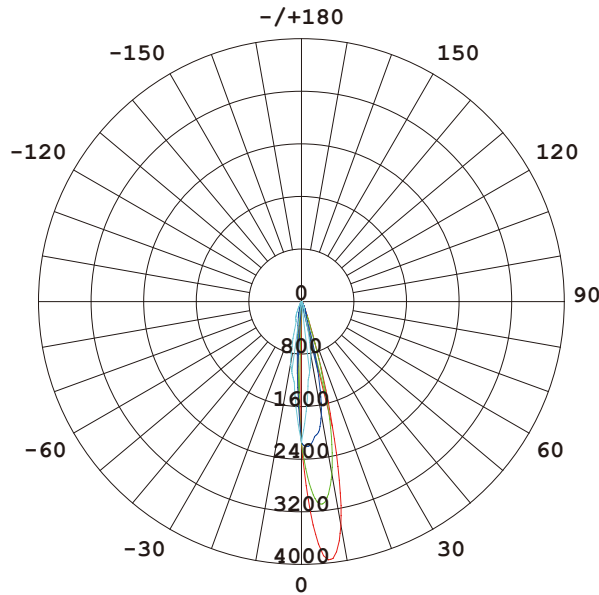
**Main material:**  
Engineering plastics+Aluminum

**Specification**  
Energy saving, up to 85% energy saving  
comparing to standard halogen and incandescent  
lamps  
High quality light, high color rendering, less heat,  
no UV or IR radiation  
Build-in LED Driver  
IP20

**Applications**  
.Shoping mall  
.Hotels  
.Exhibition hall  
.Art hall  
.Museums



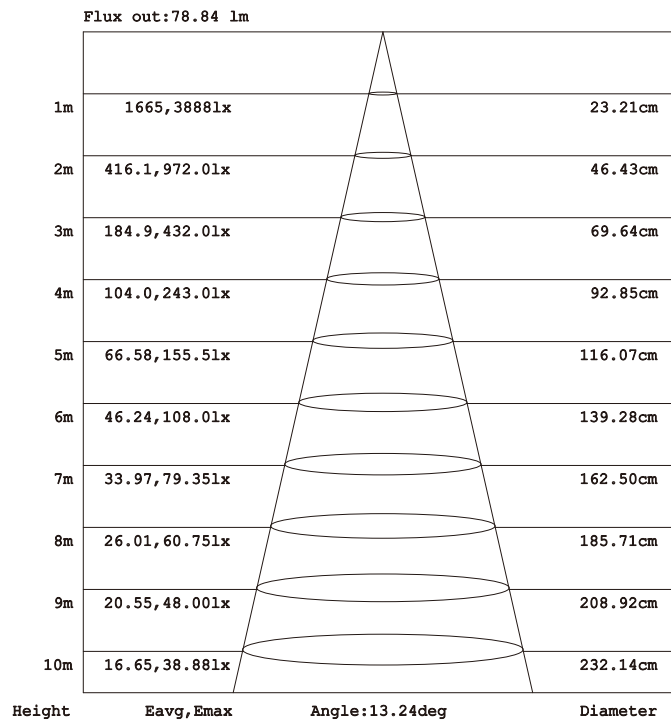
# LUMINOUS INTENSITY DISTRIBUTION DIAGRAM

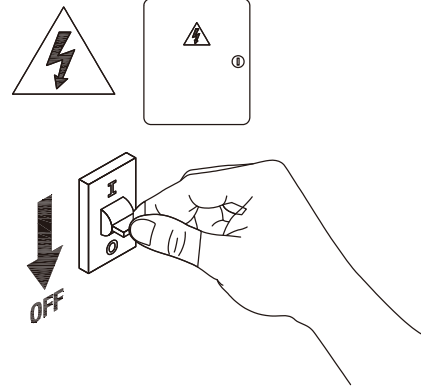
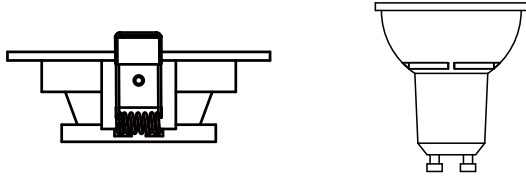


**UNIT : cd**  
 — C0/180 , 14.3  
 — C30/210 , 15.8  
 — C60/240 , 16.5  
 — C90/270 , 14.7

**AVERAGE BEAM ANGLE (50%) : 15.4 DEG**

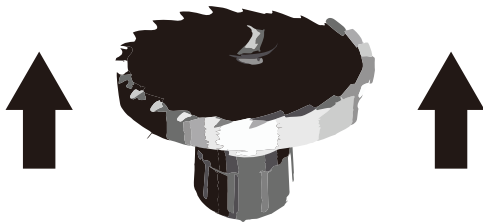
## Illuminance at a Distance





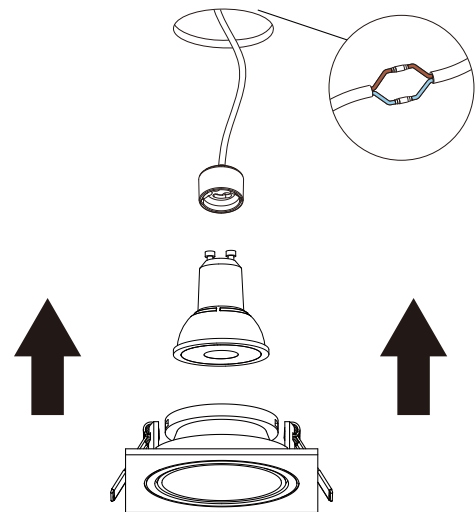
**1**

**Turn off The Power**



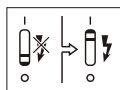
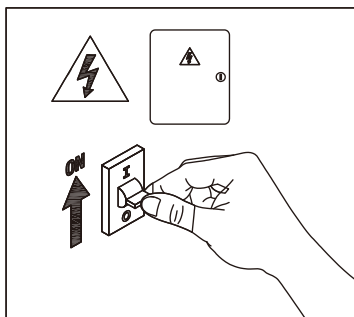
**2**

**Cut a hole on your ceiling**



**3**

**Install lamps and wiring**



**4**

**Turn on the power**

