

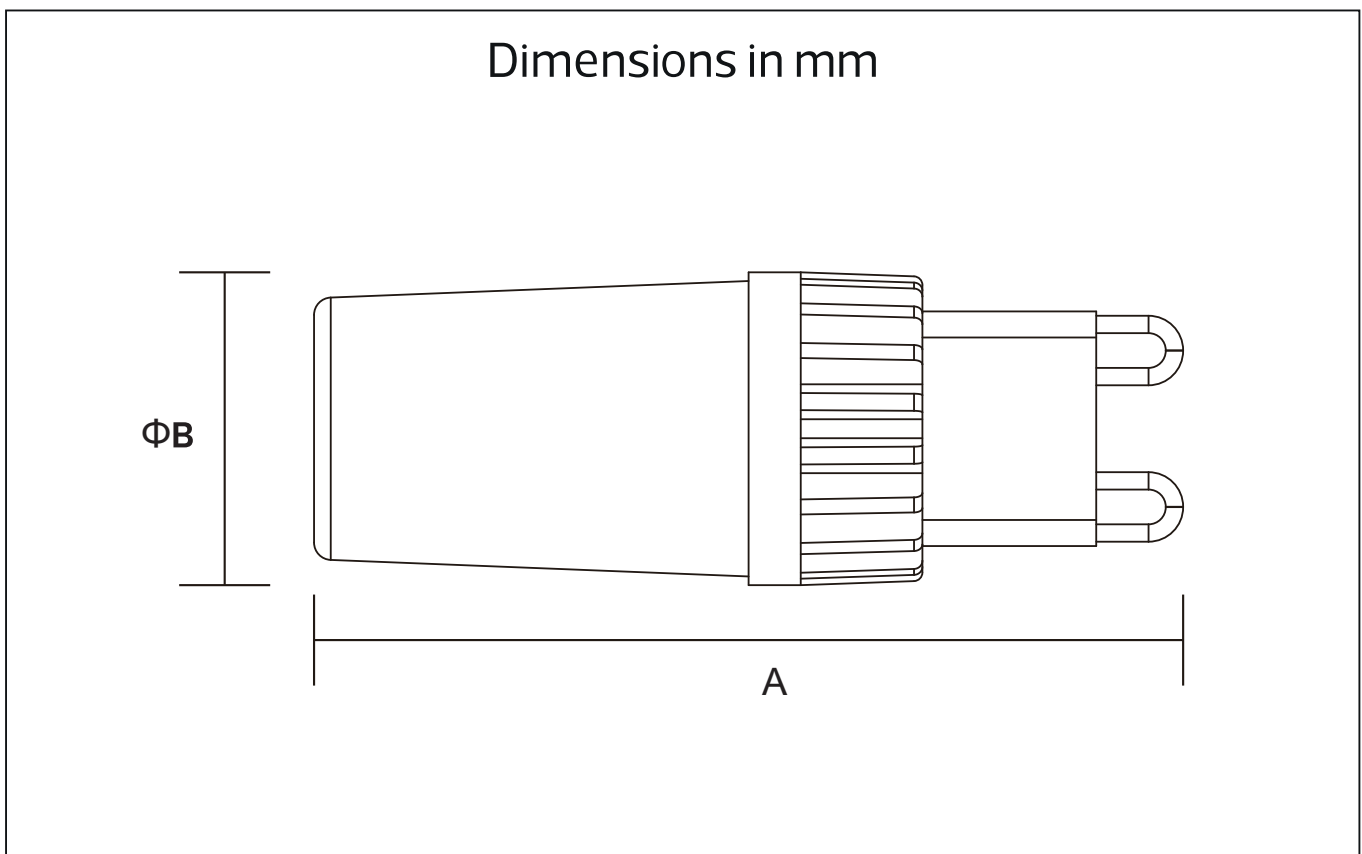
## G9 LED Lamp

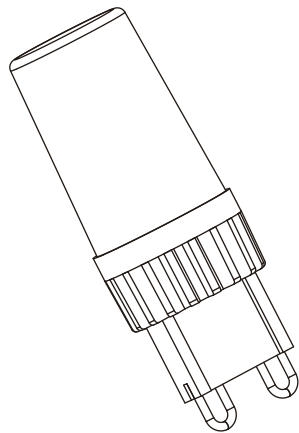
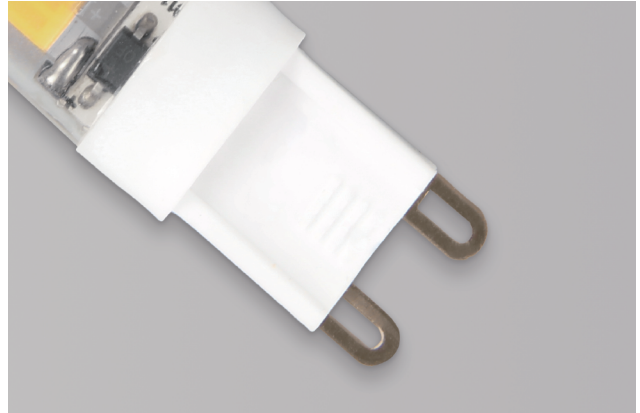
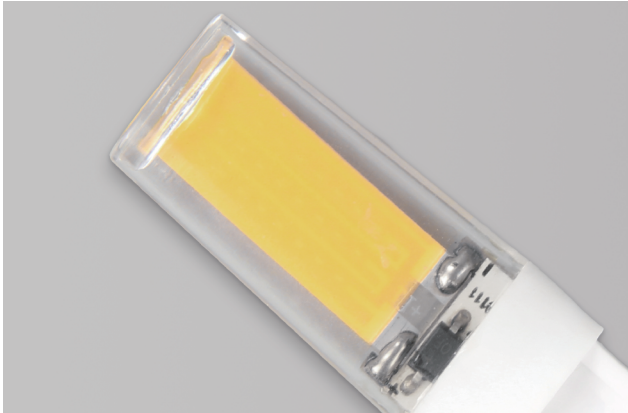
NR-G9-2W-COB  
IP20



<b>SocKet</b> G9	<b>Indoor</b> 	<b>AC</b> 220-240V	<b>50/60</b> Hz	<b>CCT</b> 6500K 4000K 3000K	<b>Ra</b> ≥80	<b>IP20</b>	<b>Beam Angel</b> 270°	<b>Chips</b> COB	
---------------------	-------------------	-----------------------	--------------------	---------------------------------------	------------------	-------------	---------------------------	---------------------	--

Item Code	P(W)	Total Lumen	Beam Angle	CCT	Dimensions in mm		SocKet	
					A	B		
NR-G9-2W-COB	2	160	270°	3000K	52	Ø16	G9	0.02



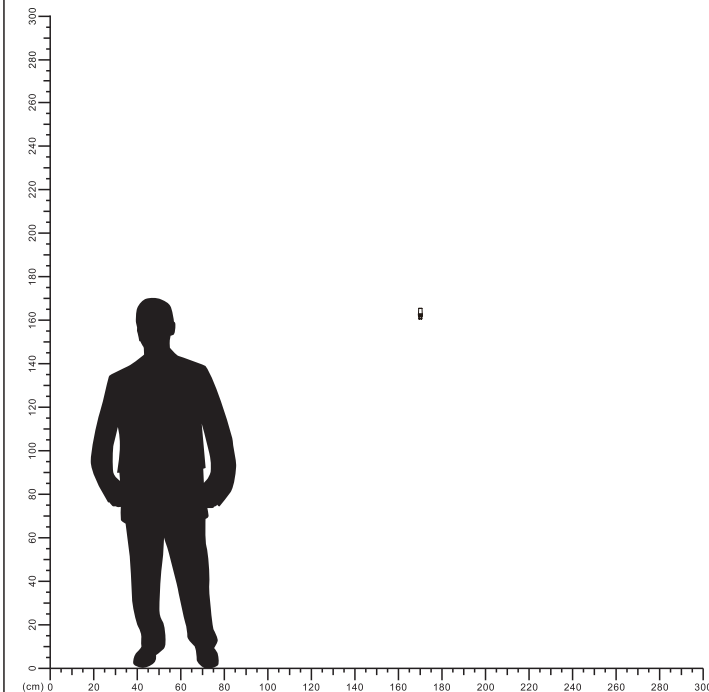


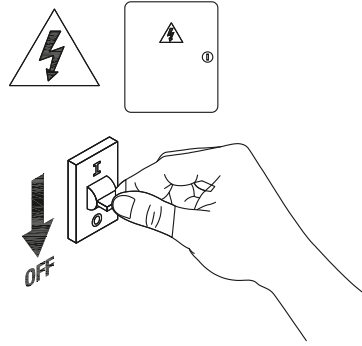
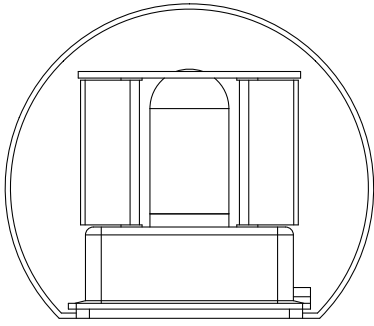
**Description:**  
G9 LED Lamp

**Main material:**  
Engineering plastics+Ceramics

**Specification**  
Energy saving, up to 85% energy saving  
comparing to standard halogen and incandescent  
lamps  
High quality light, high color rendering, less heat,  
no UV or IR radiation  
Build-in LED Driver  
IP20

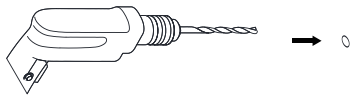
**Applications**  
.Shopping mall  
.Hotels  
.Exhibition hall  
.Art hall  
.Museums





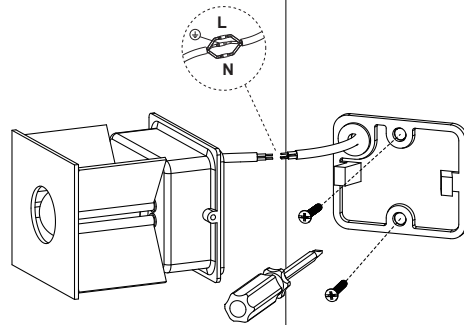
**1**

Turn off The Power



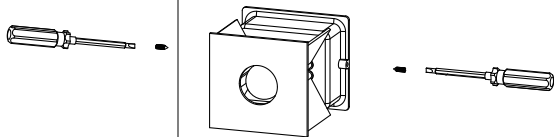
**2**

Drill two screw holes on the wall



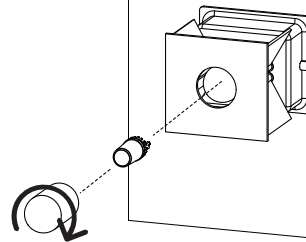
**3**

Install the base and connect cables



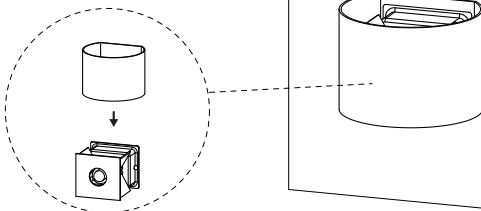
**4**

Attach the light fixture to the bottom plate



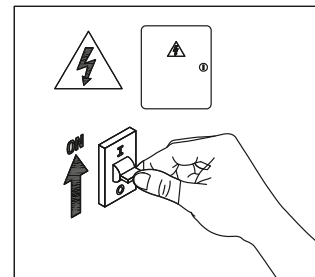
**5**

Install G9 LED lamp



**6**

Install the top cover and complete the installation



**7**

Turn on the power

