

LED G9 Lamp Cup

NR-G9-2W Series

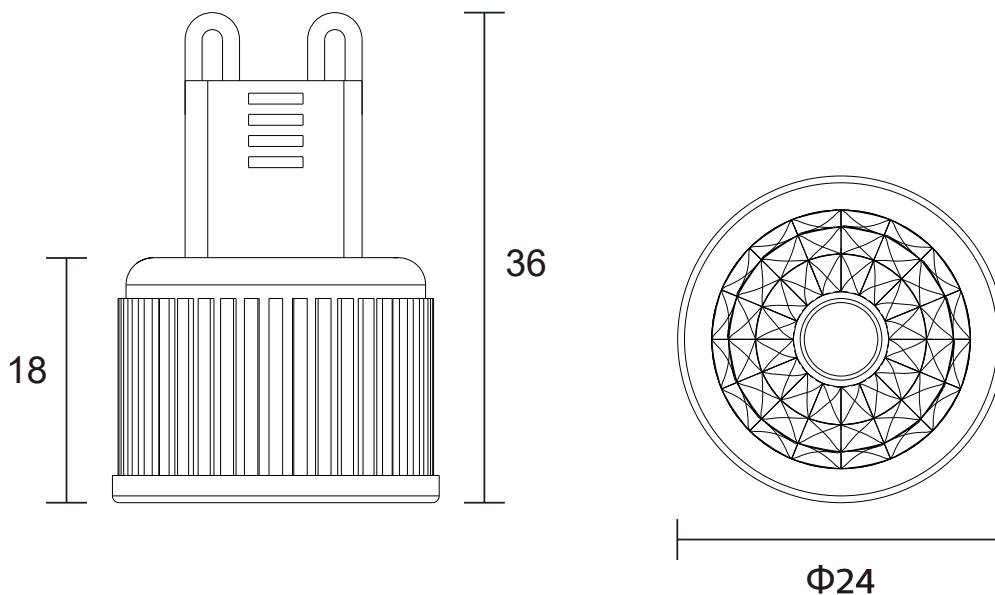
IP20

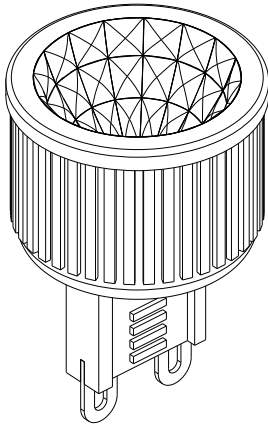


Indoor 	Socket G9	AC 220-240V	50/60 Hz	PF ≥0.9	CCT 3000K 4000K 6500K	Ra ≥80	IP20	Beam Angel 60°	Chips COB	
------------	---------------------	----------------	-------------	------------	--------------------------------	-----------	------	-----------------------------	---------------------	--

Item Code	P(W)	Total Lumen	Beam Angle	Ra	CCT	Socket	
NR-G9-2W	2	120	60°	80	3000K/4000K/6500K	G9	0.03

Dimensions in mm



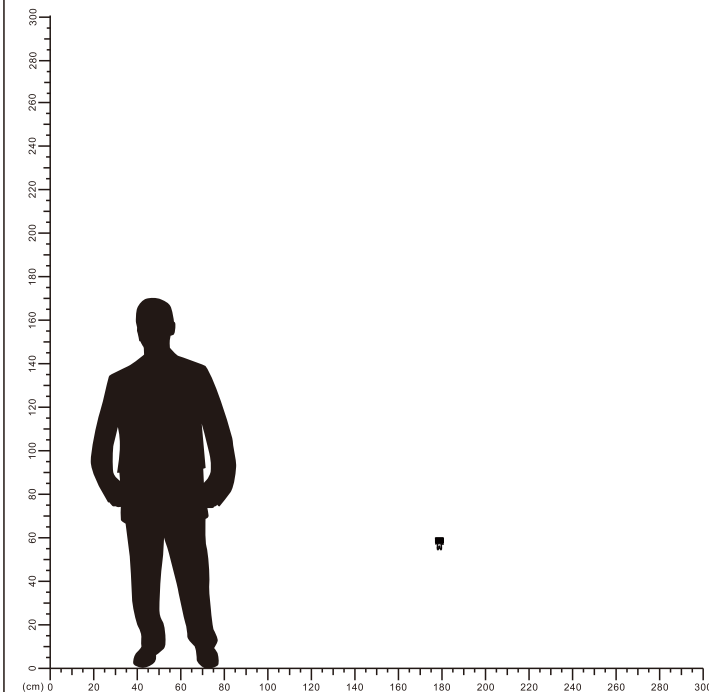


Description:
LED G9 Lamp Cup

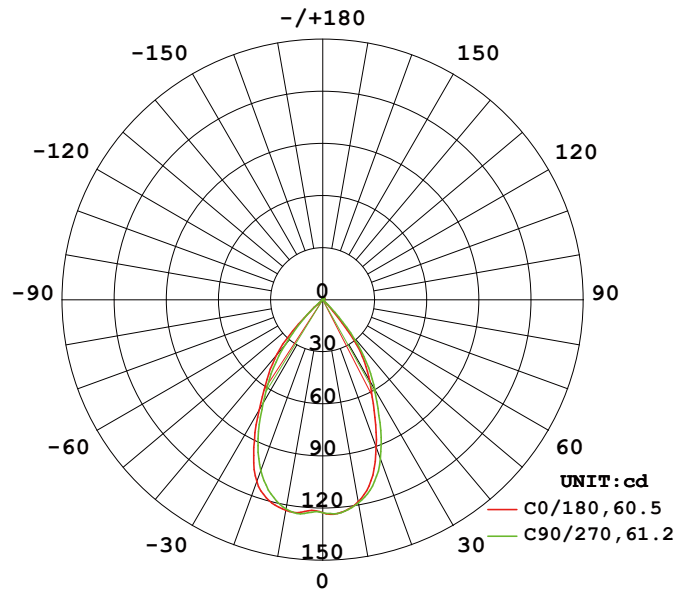
Main material:
ceramic

Specification
Energy saving, up to 85% energy saving
comparing to standard halogen and incandescent
lamps
High quality light, high color rendering, less heat,
no UV or IR radiation
Build-in LED Driver
IP20

Applications
.Shoping mall
.Hotels
.Exhibition hall
.Art hall
.Museums



LUMINOUS INTENSITY DISTRIBUTION DIAGRAM



AVERAGE BEAM ANGLE (50%) : 60.8 DEG

Illuminance at a Distance

