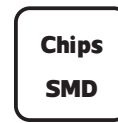
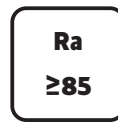
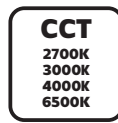


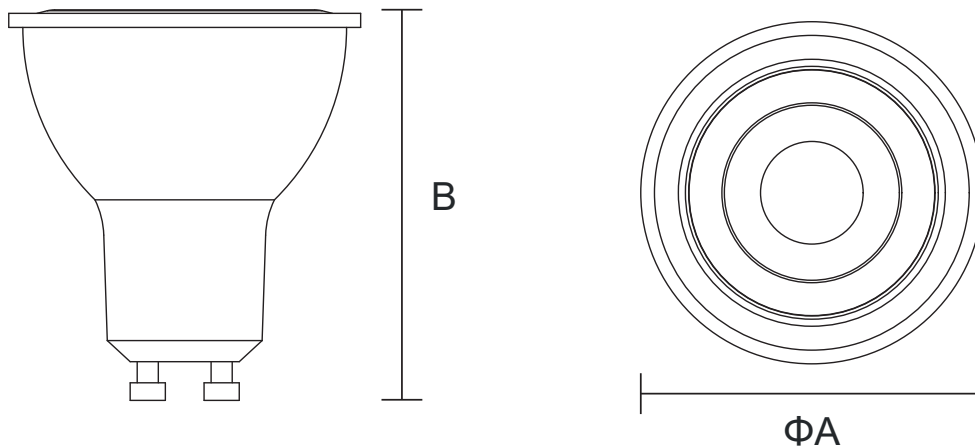
LED GU10


NR-GU10 Series

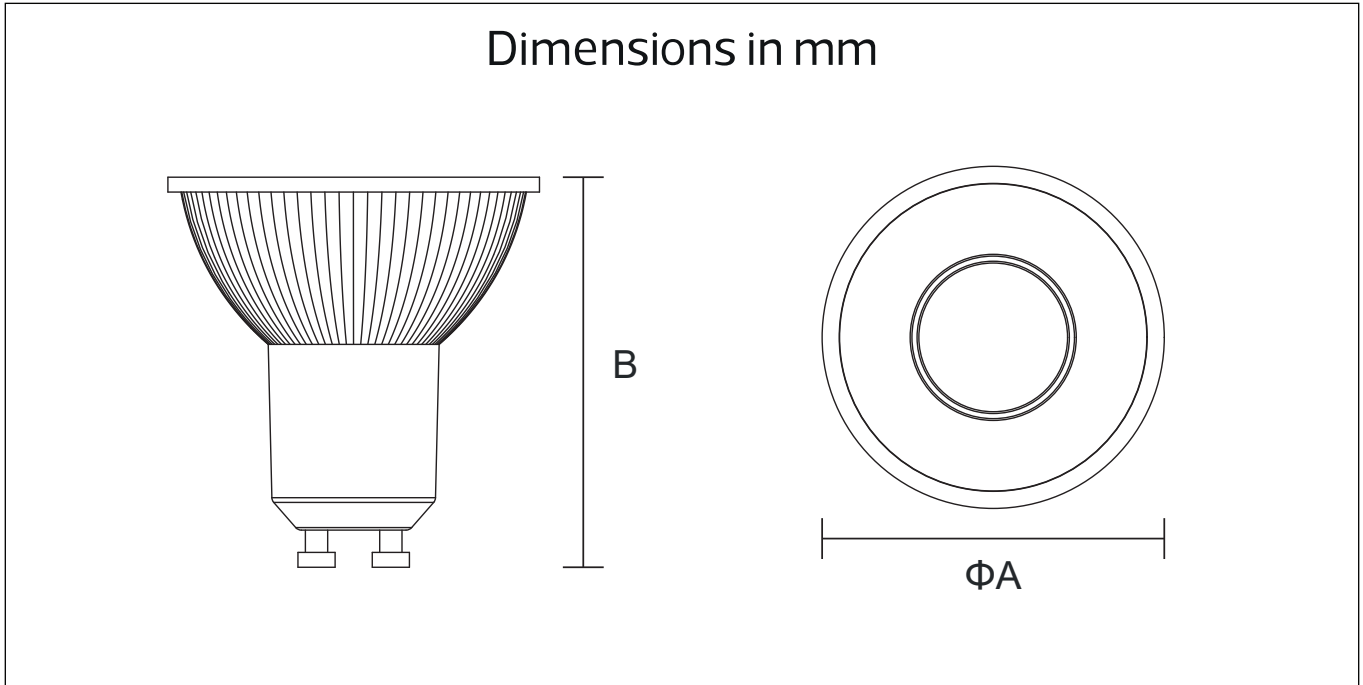



Item Code	P (W)	Total Lumen	Beam angle	Ra	CCT	Dimensions in mm A B		Socket	kg
NR-GU10-5-8530	5.3	600	60°	85	3000K	Φ50	55	GU10	0.04
NR-GU10-5-9530	5.3	470	60°	95	3000K	Φ50	55	GU10	0.04
NR-GU10-5-9540	5.3	530	60°	95	4000K	Φ50	55	GU10	0.04
NR-SL101SMD DW	5.3	600	60°	85	4000K	Φ50	55	GU10	0.04
NR-SL101SMD W	5.3	600	60°	85	6500K	Φ50	55	GU10	0.04

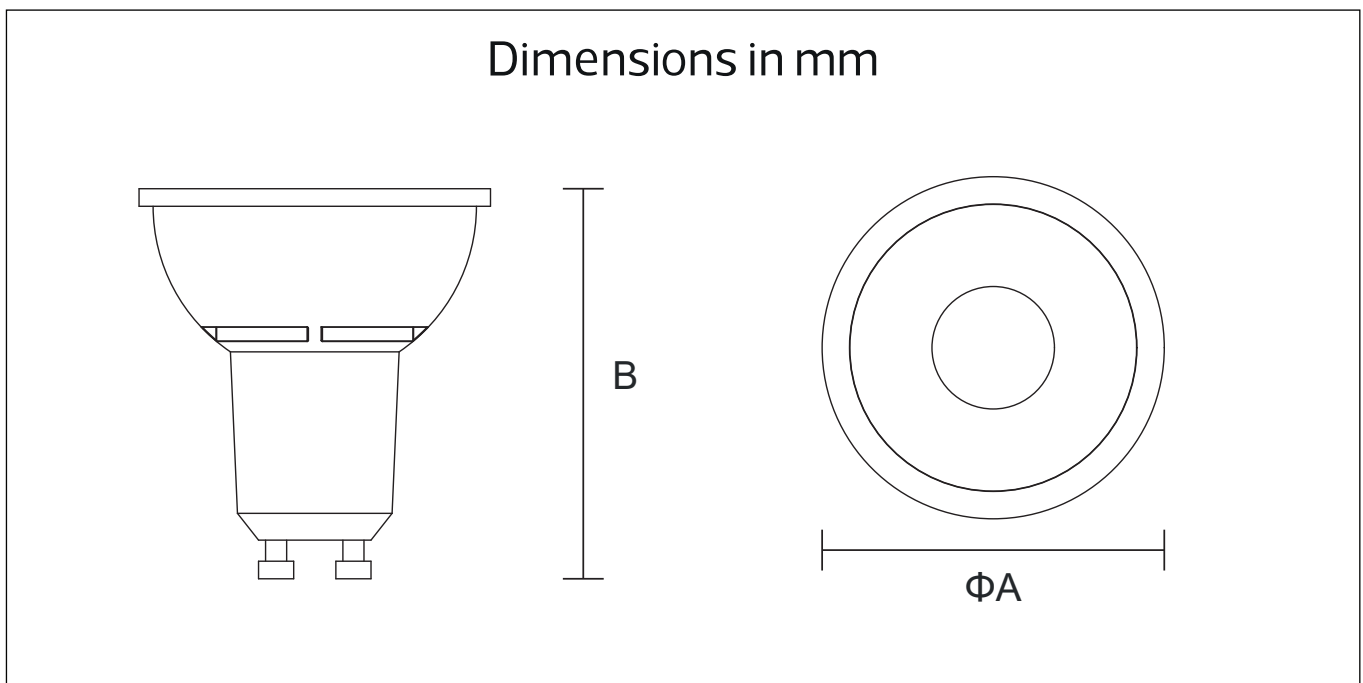
Dimensions in mm





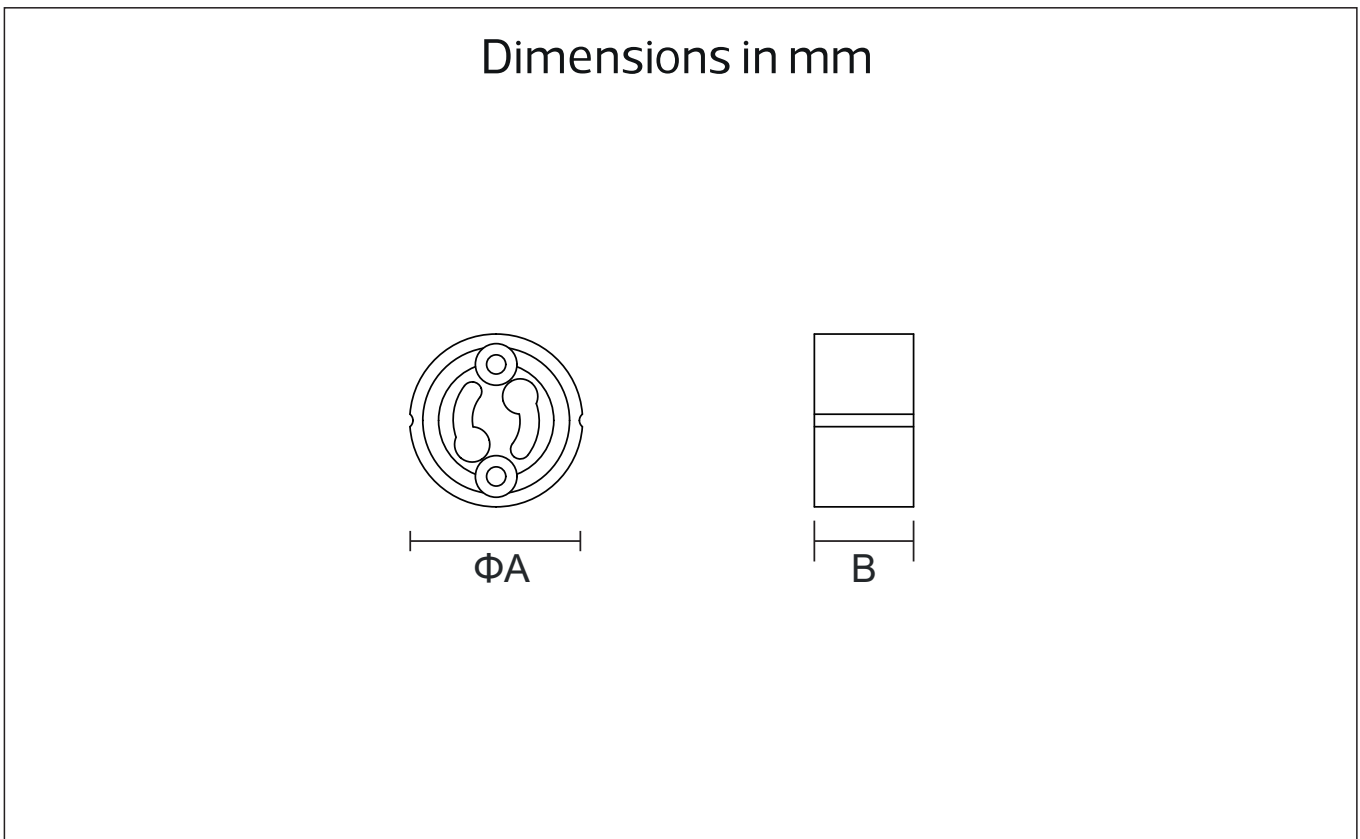
Item Code	P (W)	Total Lumen	Beam angle	Ra	CCT	Dimensions in mm		SocKet	
						A	B		
NR-G10-5-8027	5.3	600	60°	80	2700K	Φ50	55	GU10	0.04
NR-G10-5-9527	5.3	424	60°	95	2700K	Φ50	55	GU10	0.04

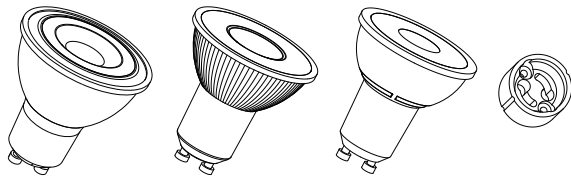


Item Code	P (W)	Total Lumen	Beam angle	Ra	CCT	Dimensions in mm		SocKet	
						A	B		
NR-G10-5-8030	5.3	380	12°	80	3000K	Φ50	56	GU10	0.04



Picture	Item Code	Dimensions in mm		
		A	B	
	GU10-Connect	Φ27	16	0.01



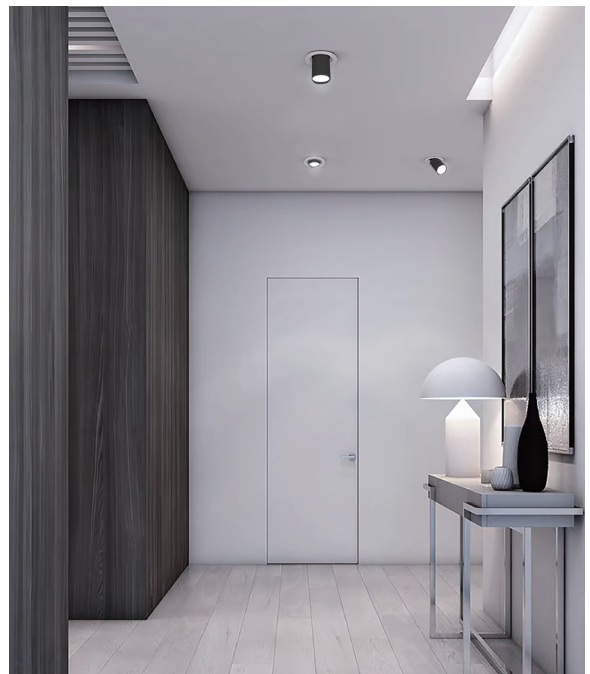
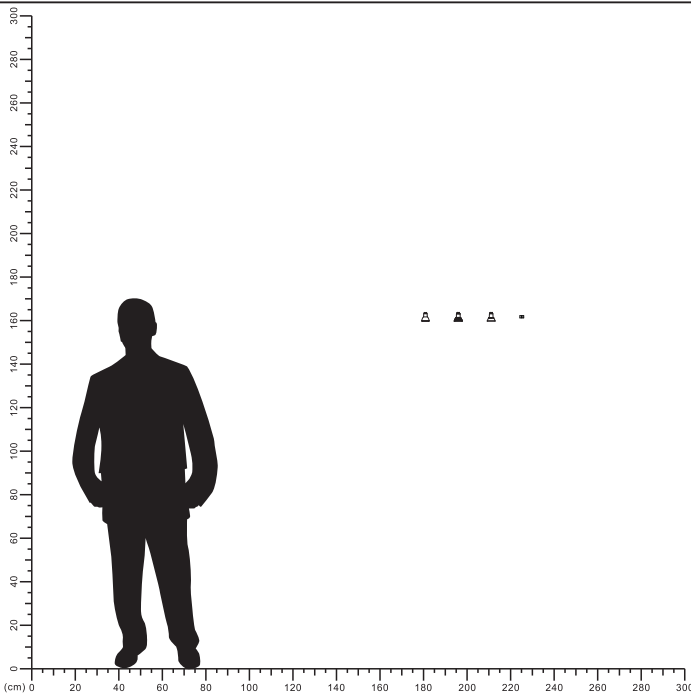


Description:
GU10 LED Lamp

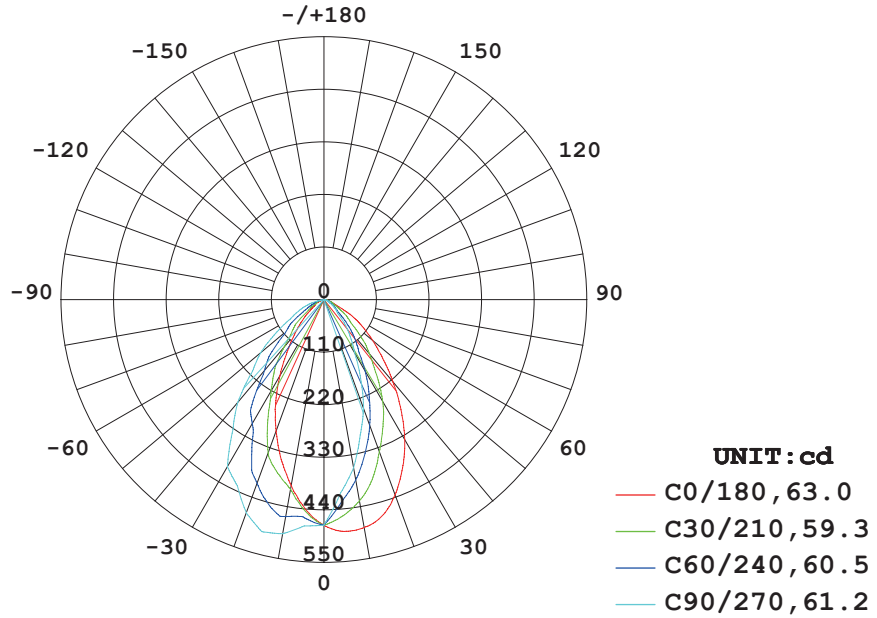
Main material:
Engineering plastics+Die-cast aluminum+Ceramics

Specification
Energy saving, up to 85% energy saving comparing to standard halogen and incandescent lamps
High quality light, high color rendering, less heat, no UV or IR radiation
Build-in LED Driver
IP20

Applications
.Shoping mall
.Hotels
.Exhibition hall
.Art hall
.Museums

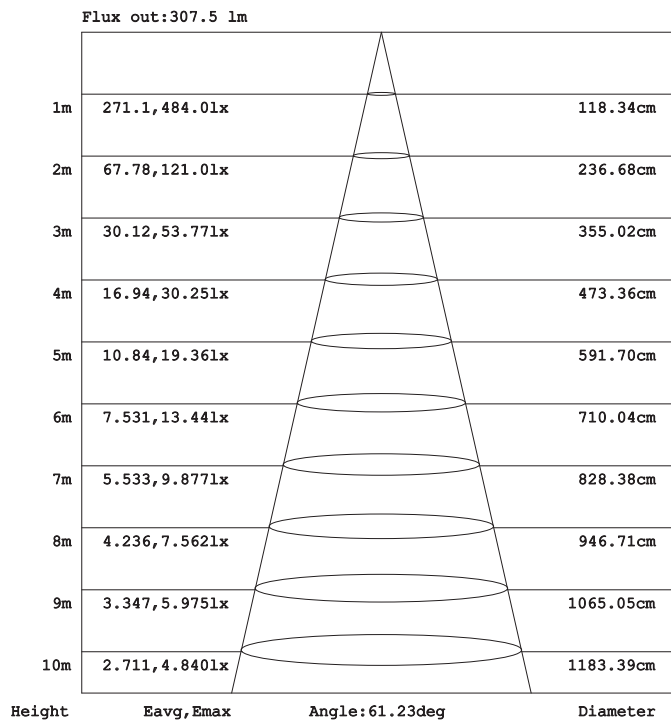


LUMINOUS INTENSITY DISTRIBUTION DIAGRAM



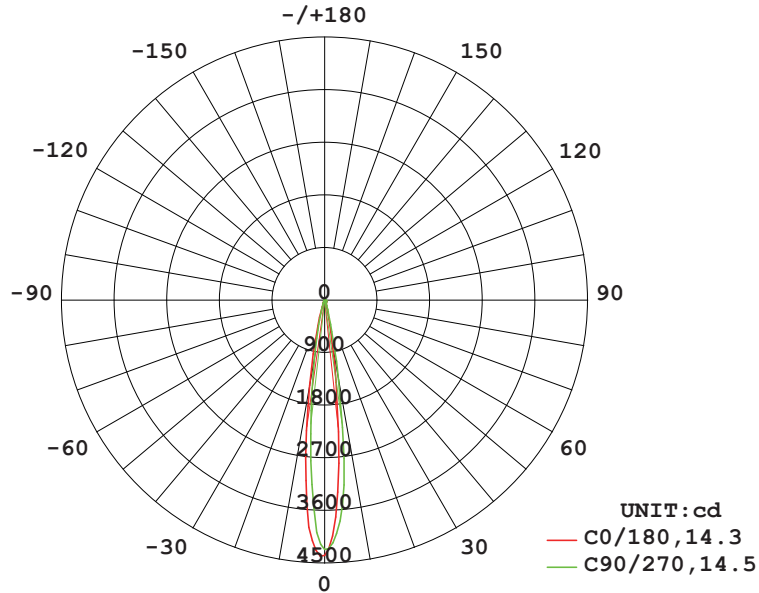
AVERAGE BEAM ANGLE (50%) : 61.0 DEG

Illuminance at a Distance



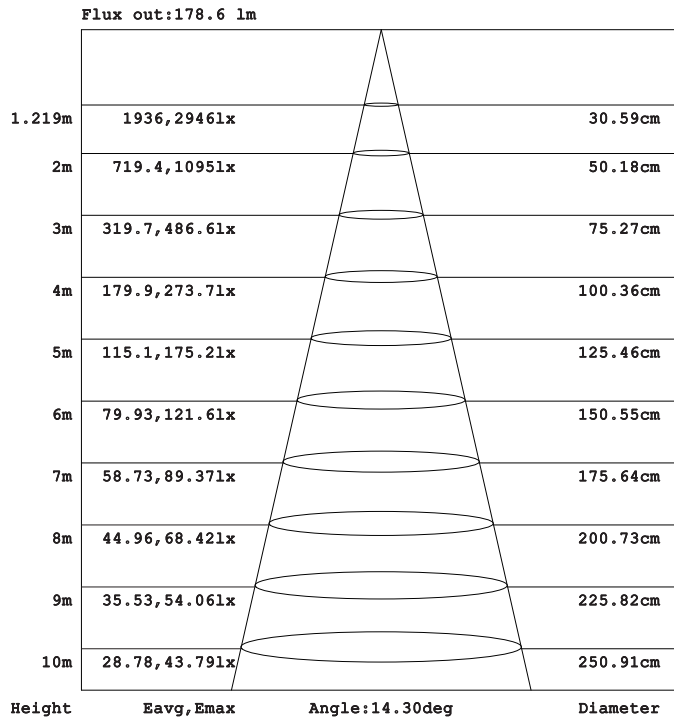
Model: NR-GU10-5-8530、 NR-GU10-5-9530、 NR-GU10-5-9540、 NR-SL101SMD DW、 NR-SL101SMD W、 NR-G10-5-8027、 NR-G10-5-9527

LUMINOUS INTENSITY DISTRIBUTION DIAGRAM

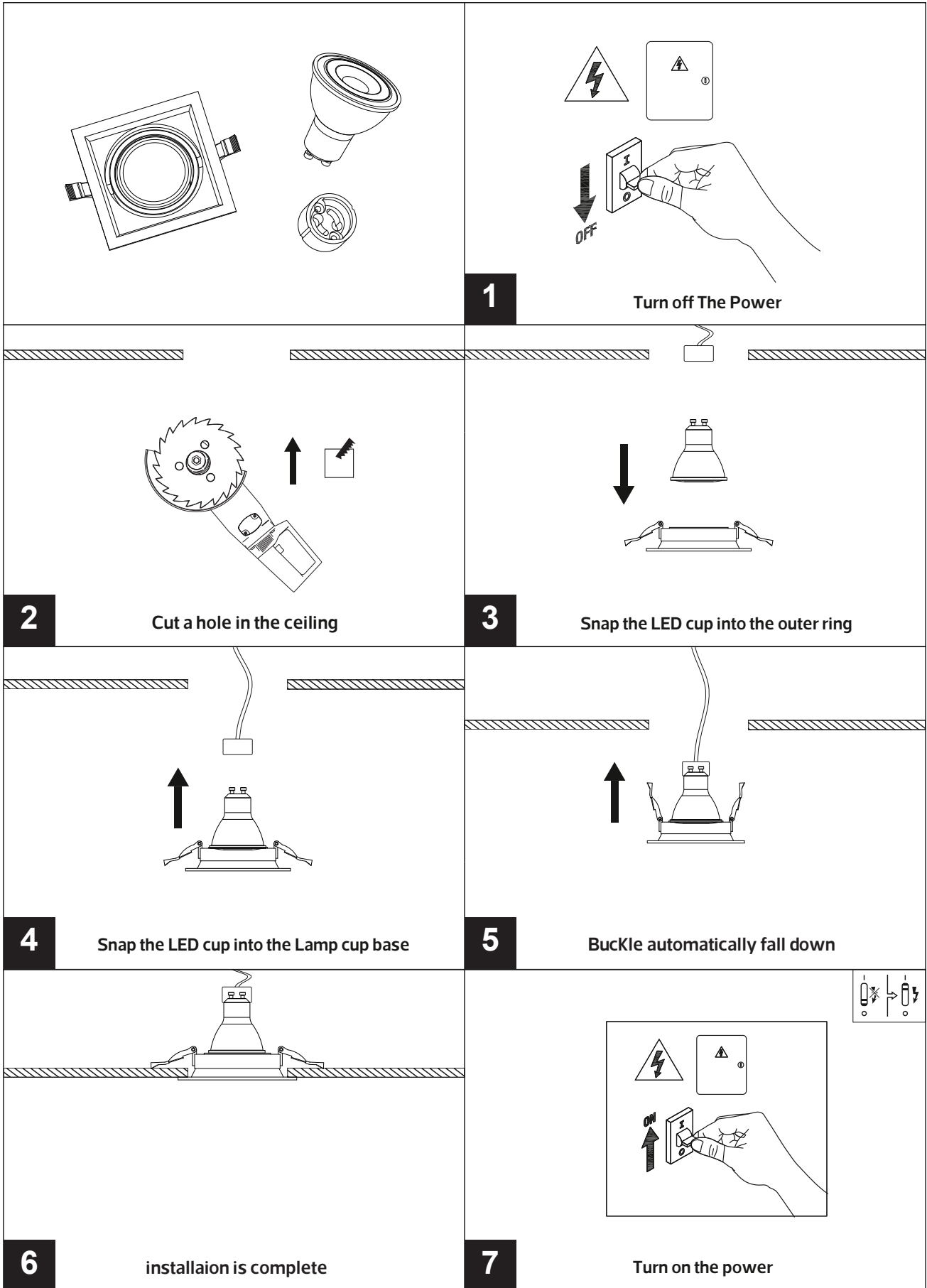


AVERAGE BEAM ANGLE (50%) : 14.4 DEG

Illuminance at a Distance



Model:NR-G10-5-8030



LED Dimmable Gu10 Lamp Cup

NR-DIMC-5.3 WW

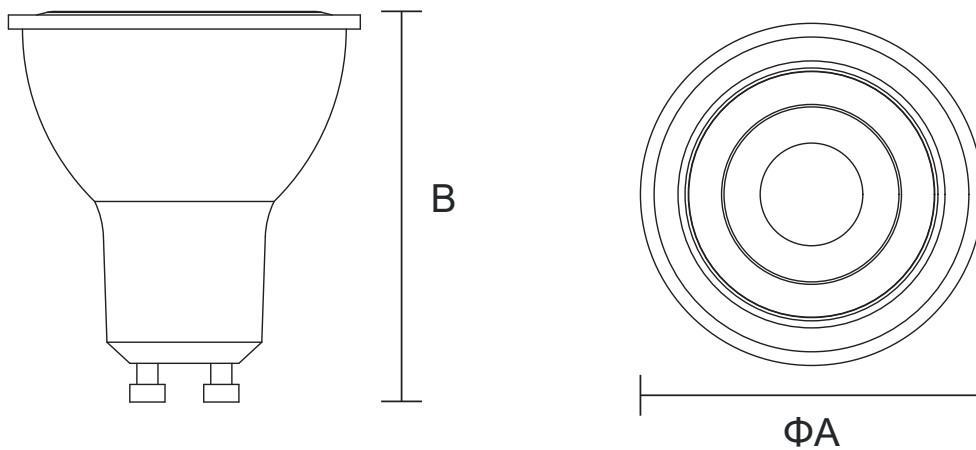
IP20

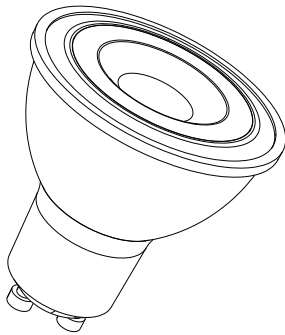


SocKet GU10	Indoor 	AC 220-240V	50/60 Hz	PF ≥0.5	CCT 3000K	Ra ≥95	IP20	Beam Angel 60°	Chips SMD	
------------------------------	-------------------	-----------------------	--------------------	-------------------	---------------------	------------------	-------------	---	----------------------------	--

Item Code	P(W)	Total Lumen	Beam Angle	Ra	CCT	Dimensions in mm		SocKet	
						A	B		kg
NR-DIMC-5.3 WW	5.3	300	60°	95	3000K	50	58	GU10	0.04

Dimensions in mm



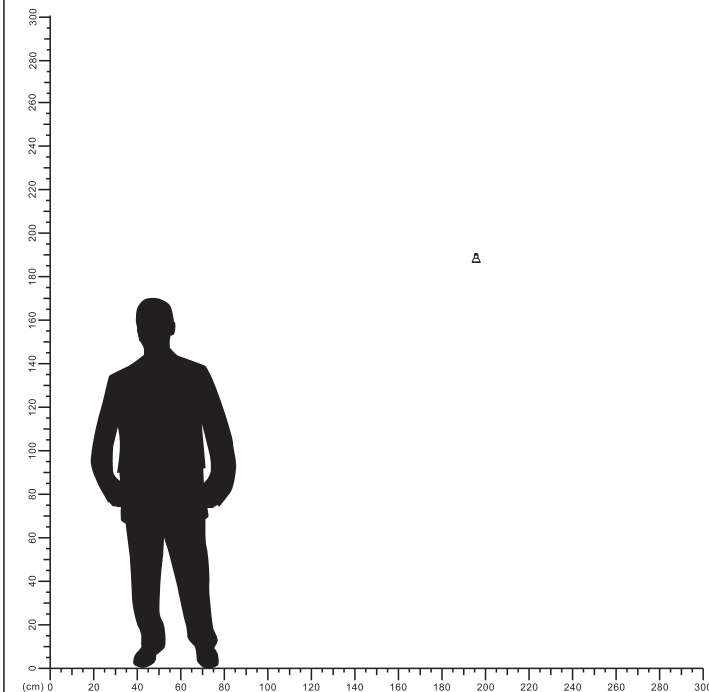


Description:
LED Dimmable Gu10 Lamp Cup

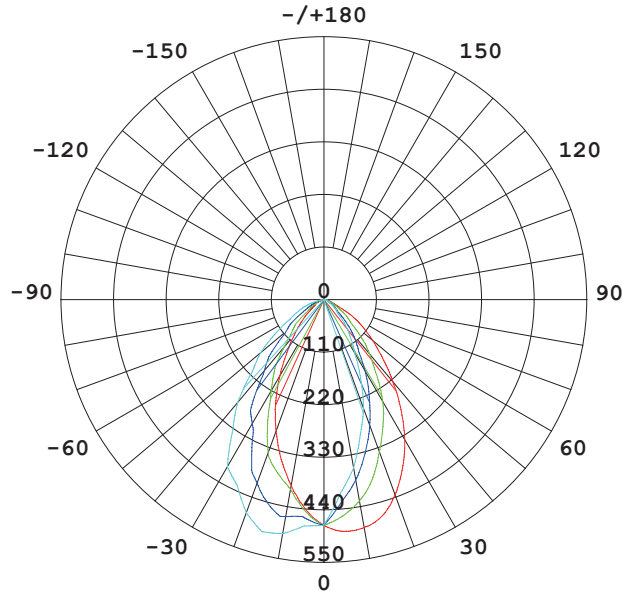
Main material:
Engineering plastics+Aluminum

Specification
Energy saving, up to 85% energy saving comparing to standard halogen and incandescent lamps
High quality light, high color rendering, less heat, no UV or IR radiation
Build-in LED Driver
IP20

Applications
.Shoping mall
.Hotels
.Exhibition hall
.Art hall
.Museums



LUMINOUS INTENSITY DISTRIBUTION DIAGRAM



- UNIT : cd**
- C0/180 , 63.0
 - C30/210 , 59.3
 - C60/240 , 60.5
 - C90/270 , 61.2

AVERAGE BEAM ANGLE (50%) : 61.0 DEG

Illuminance at a Distance

